

- TLM TLM series
- TSLM TSLM series
- TIC TIC series
- TU TU series

# 01



## TLM Series

# LINEAR MOTOR MODULE

### Intro

TOKK linear motor modules, known for their high precision, fast speed, smooth operation, simple structure, high integration, standardized series, and cost efficiency, have been widely applied across various industries. They have also gained high recognition and favor in the industry. From simple handling and conveying to precise measurement and machining, TOKK's linear motor technology is applicable in a wide range of processing techniques and working conditions. Additionally, its customizable flexible configurations, high stability, and excellent cost performance meet diverse customer application needs.

### Advantages

- ① Molded parts and standardization for lower costs
- ② Compact structure
- ③ Supports multi-axis configurations (Z-axis, cross, cantilever, gantry, etc.), offering versatility and flexibility
- ④ Supports multiple mover-slider applications
- ⑤ Unlimited stroke extension available
- ⑥ High precision with optional feedback units, achieving sub-micron accuracy
- ⑦ Easy to customize with flexible design options
- ⑧ Wide range of applications

### Disadvantages

- ① Higher costs for traditional drive systems
- ② Relative complexity in motion control

### Application Industry

- 3C industry (Computers, Communication, Consumer electronics)
- Semiconductor industry      New energy industry
- Automotive industry          Photovoltaic industry
- LCD panel industry          Laser processing industry
- .....

# TLM series linear motor module naming rules

**TLM 140-1-L 00-M0.5 S0 -CA55-1 H -5 -D00**

Motor Type	
code	description
TLM	linear motor module
TSLM	fully-sealed linear motor module

Module Width	
code	description
65	65 mm
85	85 mm
140	140mm
170	170mm
210	210mm
235	235mm
...	...

Number of Slides	
code	description
1	single slider (standard)
2	double slider (custom)
...	...

Stroke	
code	description
L200	200mm
L300	300mm
...	...

Feedback Method	
code	description
M	magnetic scale
G	optical scale

Customization	
code	description
null	standard
D00	standard
D01	module

Cable length	
code	description
1	1m
2	2m
null	5m (standard)
...	...

Sensor Option	
code	description
null	no sensor
H	with Hall sensor

Motor Type	
code	description
CA55-1	TICA55-105
CA55-2	TICA55-193
CA55-3	TICA55-280
UA38-1	TUA 38-61
UA38-2	TUA 38-121
...	...

Limit Switch	
code	description
null	photoelectric switch
S0	built-in encoder

Resolution	
code	description
1	1μm
0.5	0.5μm
...	...

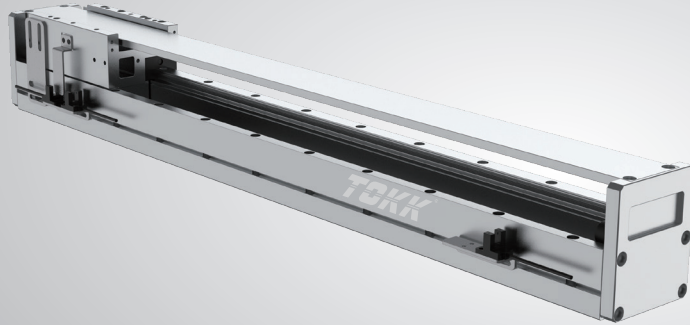
TLM series

TSLM series

TIC series

TU series

# Linear module TLM65 series



Continuous thrust **48N~144N**

Peak thrust **138N~414N**

Temperature rise **< 0.05°C/W**

Thrust fluctuation **< 2%**

## Product parameter

Motor Model	TICA35-1	TICA35-2	TICA35-3
Cont. Thrust (N)	48	96	144
Peak Thrust (N)	138	276	414
Cont. Current (A)	3.39	3.39	3.39
Max. Current (A)	10.34	10.34	10.34
Max. Speed* <sup>1</sup> (m/s)	4		
Max. Accel.* <sup>1</sup> (m/s <sup>2</sup> )	50		
Repeatability (μm)	Magnetic Scale: ±3; Optical Scale: ±2		
Max. Load* <sup>1</sup> (kg)	30		
Height (mm)	89.5		
Stroke* <sup>2</sup> (mm)	35~1985(50 pitch)	47~1997(50 pitch)	10~1960(50 pitch)

\*<sup>1</sup> Maximum acceleration, maximum speed, and maximum load are reference values. Actual values should be comprehensively evaluated based on the motion plan. If the actual parameters exceed the reference values, please contact the manufacturer for assessment.

\*<sup>2</sup> For longer strokes, please contact the manufacturer.

# TLM65-TICA35-1

TLM series

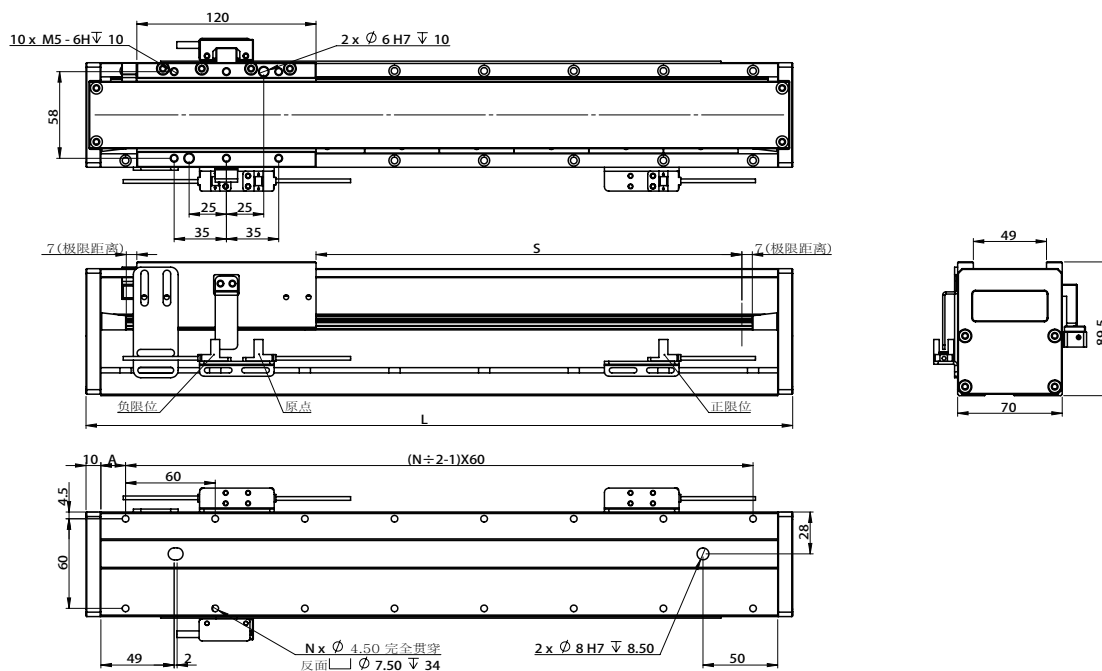
TSLM series

TIC series

TU series

## TLM65-TICA35-1

Unit:mm



<b>Eff. Stroke: S</b>	35	85	135	185	235	285	335	385	435	485	535	585	635	685	735	785	835	885	935	985
<b>Mech. Stroke: S + All.</b>	49	99	149	199	249	299	349	399	449	499	549	599	649	699	749	799	849	899	949	999
<b>Total Length: L</b>	223	273	323	373	423	473	523	573	623	673	723	773	823	873	923	973	1023	1073	1123	1173
<b>No. of Holes: N</b>	4	4	5	6	7	8	9	9	10	11	12	13	14	14	15	16	17	18	19	19
<b>Hole to End: A</b>	11.5	36.5	31.5	26.5	21.5	16.5	11.5	36.5	31.5	26.5	21.5	16.5	11.5	36.5	31.5	26.5	21.5	16.5	11.5	36.5
<b>Mod. Wt. (kg)</b>	3.4	3.8	4.2	4.6	5	5.4	5.8	6.2	6.6	7	7.4	7.8	8.2	8.6	9	9.4	9.8	10.2	10.6	11
<b>Comp. Wt. (kg)</b>	1.5																			

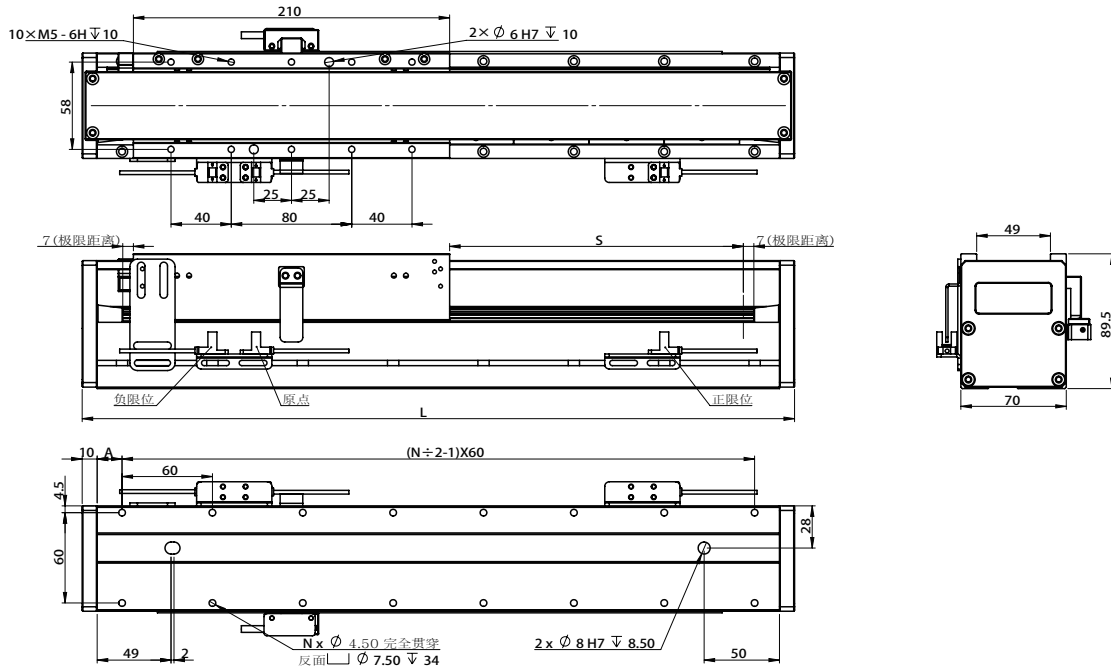
<b>Eff. Stroke: S</b>	1035	1085	1135	1185	1235	1285	1335	1385	1435	1485	1535	1585	1635	1685	1735	1785	1835	1885	1935	1985
<b>Mech. Stroke: S + All.</b>	1049	1099	1149	1199	1249	1299	1349	1399	1449	1499	1549	1599	1649	1699	1749	1799	1849	1899	1949	1999
<b>Total Length: L</b>	1223	1273	1323	1373	1423	1473	1523	1573	1623	1673	1723	1773	1823	1873	1923	1973	2023	2073	2123	2173
<b>No. of Holes: N</b>	20	21	22	23	24	24	25	26	27	28	29	29	30	31	32	33	34	34	35	36
<b>Hole to End: A</b>	31.5	26.5	21.5	16.5	11.5	36.5	31.5	26.5	21.5	16.5	11.5	36.5	31.5	26.5	21.5	16.5	11.5	36.5	31.5	26.5
<b>Mod. Wt. (kg)</b>	11.4	11.8	12.2	12.6	13	13.4	13.8	14.1	14.4	14.7	15	15.3	15.6	15.9	16.2	16.5	16.8	17.1	17.4	17.7
<b>Comp. Wt. (kg)</b>	1.5																			

This diagram is for reference only. Actual dimensions are based on the provided 2D/3D drawings. Product style, appearance, and specifications are subject to change without prior notice.

# TLM65-TICA35-2

## TLM65-TICA35-2

Unit:mm



<b>Eff. Stroke: S</b>	47	97	147	197	247	297	347	397	447	497	547	597	647	697	747	797	847	897	947	997
<b>Mech. Stroke: S + All.</b>	61	111	161	211	261	311	361	411	461	511	561	611	661	711	761	811	861	911	961	1011
<b>Total Length: L</b>	325	375	425	475	525	575	625	675	725	775	825	875	925	975	1025	1075	1125	1175	1225	1275
<b>No. of Holes: N</b>	5	6	7	8	9	9	10	11	12	13	14	14	15	16	17	18	19	19	20	21
<b>Hole to End: A</b>	32.5	27.5	22.5	17.5	12.5	37.5	32.5	27.5	22.5	17.5	12.5	37.5	32.5	27.5	22.5	17.5	12.5	37.5	32.5	27.5
<b>Mod. Wt. (kg)</b>	5.2	5.6	6	6.4	6.8	7.2	7.6	8	8.4	8.8	9.2	9.6	10	10.4	10.8	11.2	11.6	12	12.4	12.8
<b>Comp. Wt. (kg)</b>	2.4																			

<b>Eff. Stroke: S</b>	1047	1097	1147	1197	1247	1297	1347	1397	1447	1497	1547	1597	1647	1697	1747	1797	1847	1897	1947	1997
<b>Mech. Stroke: S + All.</b>	1061	1111	1161	1211	1261	1311	1361	1411	1461	1511	1561	1611	1661	1711	1761	1811	1861	1911	1961	2011
<b>Total Length: L</b>	1325	1375	1425	1475	1525	1575	1625	1675	1725	1775	1825	1875	1925	1975	2025	2075	2125	2175	2225	2275
<b>No. of Holes: N</b>	22	23	24	24	25	26	27	28	29	29	30	31	32	33	34	34	35	36	37	38
<b>Hole to End: A</b>	22.5	17.5	12.5	37.5	32.5	27.5	22.5	17.5	12.5	37.5	32.5	27.5	22.5	17.5	12.5	37.5	32.5	27.5	22.5	17.5
<b>Mod. Wt. (kg)</b>	13.2	13.6	14	14.4	14.8	15.1	15.4	15.7	16	16.3	16.6	16.9	17.2	17.5	17.8	18.1	18.4	18.7	19	19.3
<b>Comp. Wt. (kg)</b>	2.4																			

This diagram is for reference only. Actual dimensions are based on the provided 2D/3D drawings. Product style, appearance, and specifications are subject to change without prior notice.

# TLM65-TICA35-3

TLM series

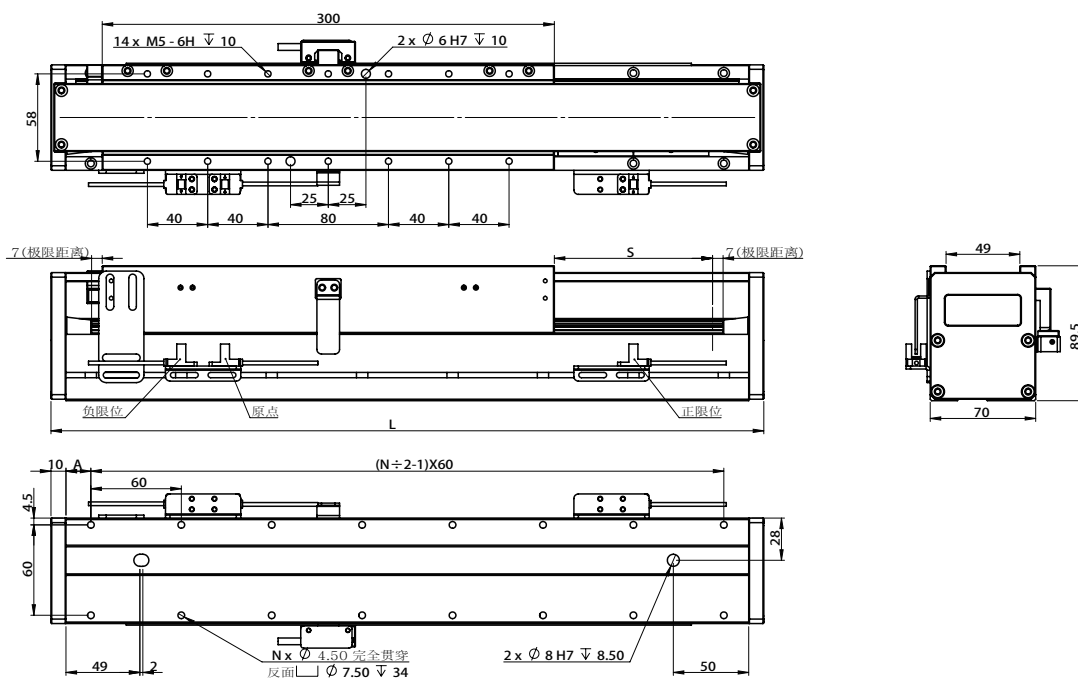
TSLM series

TIC series

TU series

## TLM65-TICA35-3

Unit:mm



<b>Eff. Stroke: S</b>	47	97	147	197	247	297	347	397	447	497	547	597	647	697	747	797	847	897	947	997
<b>Mech. Stroke: S + All.</b>	61	111	161	211	261	311	361	411	461	511	561	611	661	711	761	811	861	911	961	1011
<b>Total Length: L</b>	325	375	425	475	525	575	625	675	725	775	825	875	925	975	1025	1075	1125	1175	1225	1275
<b>No. of Holes: N</b>	5	6	7	8	9	9	10	11	12	13	14	14	15	16	17	18	19	19	20	21
<b>Hole to End: A</b>	32.5	27.5	22.5	17.5	12.5	37.5	32.5	27.5	22.5	17.5	12.5	37.5	32.5	27.5	22.5	17.5	12.5	37.5	32.5	27.5
<b>Mod. Wt. (kg)</b>	5.2	5.6	6	6.4	6.8	7.2	7.6	8	8.4	8.8	9.2	9.6	10	10.4	10.8	11.2	11.6	12	12.4	12.8
<b>Comp. Wt. (kg)</b>	3.6																			

<b>Eff. Stroke: S</b>	1047	1097	1147	1197	1247	1297	1347	1397	1447	1497	1547	1597	1647	1697	1747	1797	1847	1897	1947	1997
<b>Mech. Stroke: S + All.</b>	1061	1111	1161	1211	1261	1311	1361	1411	1461	1511	1561	1611	1661	1711	1761	1811	1861	1911	1961	2011
<b>Total Length: L</b>	1325	1375	1425	1475	1525	1575	1625	1675	1725	1775	1825	1875	1925	1975	2025	2075	2125	2175	2225	2275
<b>No. of Holes: N</b>	22	23	24	24	25	26	27	28	29	29	30	31	32	33	34	34	35	36	37	38
<b>Hole to End: A</b>	22.5	17.5	12.5	37.5	32.5	27.5	22.5	17.5	12.5	37.5	32.5	27.5	22.5	17.5	12.5	37.5	32.5	27.5	22.5	17.5
<b>Mod. Wt. (kg)</b>	13.2	13.6	14	14.4	14.8	15.1	15.4	15.7	16	16.3	16.6	16.9	17.2	17.5	17.8	18.1	18.4	18.7	19	19.3
<b>Comp. Wt. (kg)</b>	3.6																			

This diagram is for reference only. Actual dimensions are based on the provided 2D/3D drawings. Product style, appearance, and specifications are subject to change without prior notice.

# Linear module TLM85 series



Continuous thrust **60N~180N**

Peak thrust **173N~519N**

Temperature rise **< 0.05°C/W**

Thrust fluctuation **< 2%**

## Product parameter

Motor Model	TICA40-1	TICA40-2	TICA40-3
Cont. Thrust (N)	60	120	180
Peak Thrust (N)	173	346	519
Cont. Current (A)	3.4	3.4	3.4
Max. Current (A)	10.37	10.37	10.37
Max. Speed* <sup>1</sup> (m/s)	4		
Max. Accel.* <sup>1</sup> (m/s <sup>2</sup> )	50		
Repeatability (μm)	Magnetic Scale: ±3; Optical Scale: ±2		
Max. Load* <sup>1</sup> (kg)	50		
Height (mm)	88.5		
Stroke* <sup>2</sup> (mm)	35~1985(50 pitch)	47~1997(50 pitch)	10~1960(50 pitch)

\*<sup>1</sup> Maximum acceleration, maximum speed, and maximum load are reference values. Actual values should be comprehensively evaluated based on the motion plan. If the actual parameters exceed the reference values, please contact the manufacturer for assessment.

\*<sup>2</sup> For longer strokes, please contact the manufacturer.

# TLM85-TICA40-1

TLM series

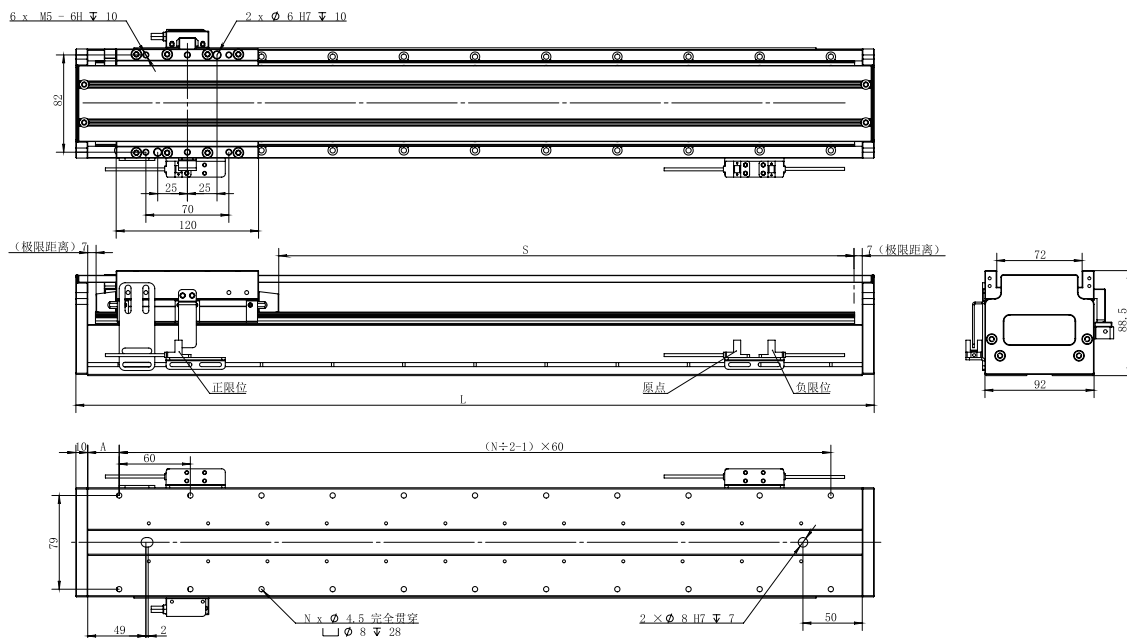
TSLM series

TIC series

TU series

## TLM85-TICA40-1

Unit:mm



<b>Eff. Stroke: S</b>	35	85	135	185	235	285	335	385	435	485	535	585	635	685	735	785	835	885	935	985
<b>Mech. Stroke: S + All.</b>	49	99	149	199	249	299	349	399	449	499	549	599	649	699	749	799	849	899	949	999
<b>Total Length: L</b>	223	273	323	373	423	473	523	573	623	673	723	773	823	873	923	973	1023	1073	1123	1173
<b>No. of Holes: N</b>	4	4	5	6	7	8	9	9	10	11	12	13	14	14	15	16	17	18	19	19
<b>Hole to End: A</b>	11.5	36.5	31.5	26.5	21.5	16.5	11.5	36.5	31.5	26.5	21.5	16.5	11.5	36.5	31.5	26.5	21.5	16.5	11.5	36.5
<b>Mod. Wt. (kg)</b>	4.7	5.3	5.8	6.4	6.9	7.5	8.0	8.6	9.1	9.7	10.2	10.8	11.3	11.9	12.4	13.0	13.5	14.1	14.6	15.2
<b>Comp. Wt. (kg)</b>	2.2																			

<b>Eff. Stroke: S</b>	1035	1085	1135	1185	1235	1285	1335	1385	1435	1485	1535	1585	1635	1685	1735	1785	1835	1885	1935	1985
<b>Mech. Stroke: S + All.</b>	1049	1099	1149	1199	1249	1299	1349	1399	1449	1499	1549	1599	1649	1699	1749	1799	1849	1899	1949	1999
<b>Total Length: L</b>	1223	1273	1323	1373	1423	1473	1523	1573	1623	1673	1723	1773	1823	1873	1923	1973	2023	2073	2123	2173
<b>No. of Holes: N</b>	20	21	22	23	24	24	25	26	27	28	29	29	30	31	32	33	34	34	35	36
<b>Hole to End: A</b>	31.5	26.5	21.5	16.5	11.5	36.5	31.5	26.5	21.5	16.5	11.5	36.5	31.5	26.5	21.5	16.5	11.5	36.5	31.5	26.5
<b>Mod. Wt. (kg)</b>	15.7	16.3	16.8	17.4	17.9	18.5	18.4	18.9	19.4	19.9	20.4	20.9	21.4	21.9	22.4	22.9	23.4	23.9	24.4	24.9
<b>Comp. Wt. (kg)</b>	2.2																			

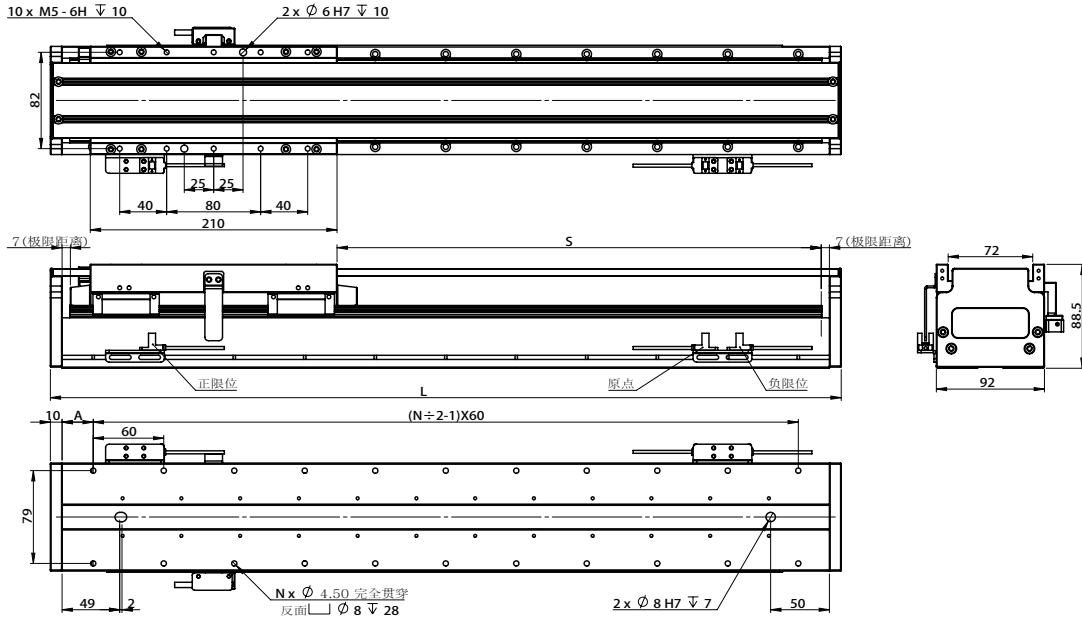
This diagram is for reference only. Actual dimensions are based on the provided 2D/3D drawings. Product style, appearance, and specifications are subject to change without prior notice.



# TLM85-TICA40-2

Unit:mm

## TLM85-TICA40-2



<b>Eff. Stroke: S</b>	47	97	147	197	247	297	347	397	447	497	547	597	647	697	747	797	847	897	947	997
<b>Mech. Stroke: S + All.</b>	61	111	161	211	261	311	361	411	461	511	561	611	661	711	761	811	861	911	961	1011
<b>Total Length: L</b>	325	375	425	475	525	575	625	675	725	775	825	875	925	975	1025	1075	1125	1175	1225	1275
<b>No. of Holes: N</b>	5	6	7	8	9	9	10	11	12	13	14	14	15	16	17	18	19	19	20	21
<b>Hole to End: A</b>	32.5	27.5	22.5	17.5	12.5	37.5	32.5	27.5	22.5	17.5	12.5	37.5	32.5	27.5	22.5	17.5	12.5	37.5	32.5	27.5
<b>Mod. Wt. (kg)</b>	6.9	7.5	8.0	8.6	9.1	9.7	10.2	10.8	11.3	11.9	12.4	13.0	13.5	14.1	14.6	15.2	15.7	16.3	16.8	17.4
<b>Comp. Wt. (kg)</b>	3.2																			

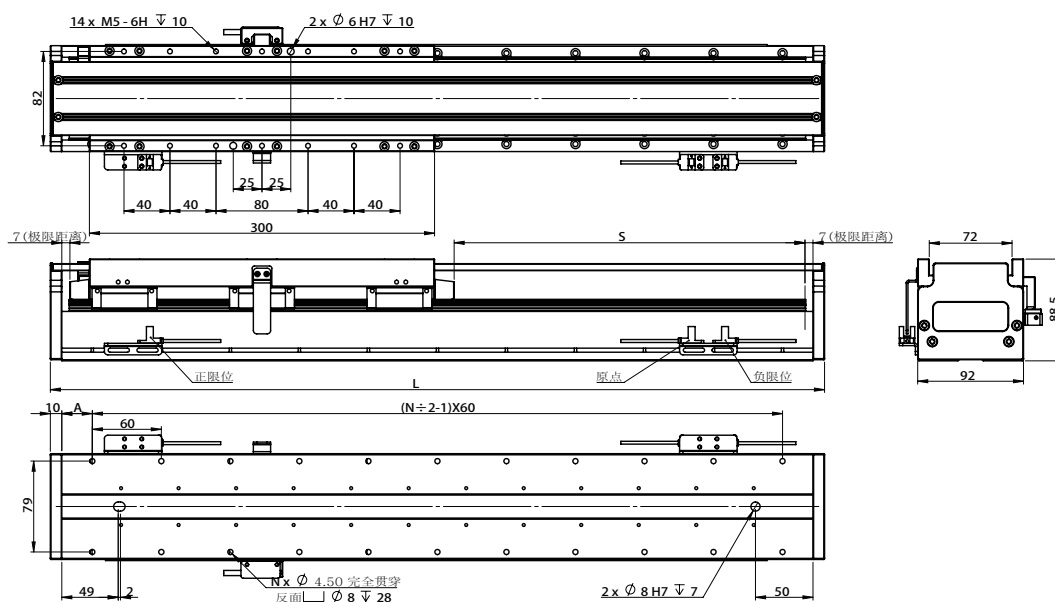
<b>Eff. Stroke: S</b>	1047	1097	1147	1197	1247	1297	1347	1397	1447	1497	1547	1597	1647	1697	1747	1797	1847	1897	1947	1997
<b>Mech. Stroke: S + All.</b>	1061	1111	1161	1211	1261	1311	1361	1411	1461	1511	1561	1611	1661	1711	1761	1811	1861	1911	1961	2011
<b>Total Length: L</b>	1325	1375	1425	1475	1525	1575	1625	1675	1725	1775	1825	1875	1925	1975	2025	2075	2125	2175	2225	2275
<b>No. of Holes: N</b>	22	23	24	24	25	26	27	28	29	29	30	31	32	33	34	34	35	36	37	38
<b>Hole to End: A</b>	22.5	17.5	12.5	37.5	32.5	27.5	22.5	17.5	12.5	37.5	32.5	27.5	22.5	17.5	12.5	37.5	32.5	27.5	22.5	17.5
<b>Mod. Wt. (kg)</b>	17.9	18.5	19.0	19.6	19.5	20.0	20.5	21.0	21.5	22.0	22.5	23.0	23.5	24.0	24.5	25.0	25.5	26.0	26.5	27.0
<b>Comp. Wt. (kg)</b>	3.2																			

This diagram is for reference only. Actual dimensions are based on the provided 2D/3D drawings. Product style, appearance, and specifications are subject to change without prior notice.

# TLM85-TICA40-3

## TLM85-TICA40-3

Unit:mm

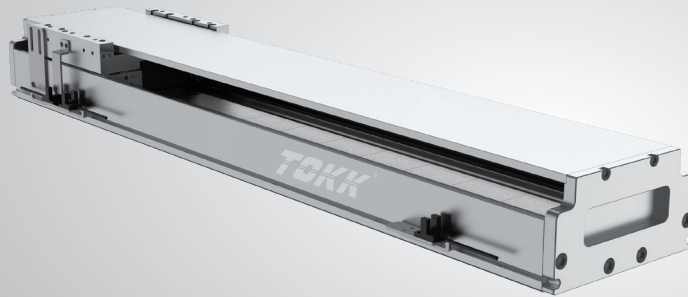


<b>Eff. Stroke: S</b>	10	60	110	160	210	260	310	360	410	460	510	560	610	660	710	760	810	860	910	960
<b>Mech. Stroke: S + All.</b>	24	74	124	174	224	274	324	374	424	474	524	574	624	674	724	774	824	874	924	974
<b>Total Length: L</b>	378	428	478	528	578	628	678	728	778	828	878	928	978	1028	1078	1128	1178	1228	1278	1328
<b>No. of Holes: N</b>	6	7	8	9	9	10	11	12	13	14	14	15	16	17	18	19	19	20	21	22
<b>Hole to End: A</b>	29	24	19	14	39	34	29	24	19	14	39	34	29	24	19	14	39	34	29	24
<b>Mod. Wt. (kg)</b>	9.2	9.8	10.3	10.9	11.4	12.0	12.5	13.1	13.6	14.2	14.7	15.3	15.8	16.4	16.9	17.5	18.0	18.6	19.1	19.7
<b>Comp. Wt. (kg)</b>	4.7																			

<b>Eff. Stroke: S</b>	1010	1060	1110	1160	1210	1260	1310	1360	1410	1460	1510	1560	1610	1660	1710	1760	1810	1860	1910	1960
<b>Mech. Stroke: S + All.</b>	1024	1074	1124	1174	1224	1274	1324	1374	1424	1474	1524	1574	1624	1674	1724	1774	1824	1874	1924	1974
<b>Total Length: L</b>	1378	1428	1478	1528	1578	1628	1678	1728	1778	1828	1878	1928	1978	2028	2078	2128	2178	2228	2278	2328
<b>No. of Holes: N</b>	23	24	24	25	26	27	28	29	29	30	31	32	33	34	34	35	36	37	38	39
<b>Hole to End: A</b>	19	14	39	34	29	24	19	14	39	34	29	24	19	14	39	34	29	24	19	14
<b>Mod. Wt. (kg)</b>	20.2	20.8	21.3	21.2	21.7	22.2	22.7	23.2	23.7	24.2	24.7	25.2	25.7	26.2	26.7	27.2	27.7	28.2	28.7	29.2
<b>Comp. Wt. (kg)</b>	4.7																			

This diagram is for reference only. Actual dimensions are based on the provided 2D/3D drawings. Product style, appearance, and specifications are subject to change without prior notice.

# Linear module TLM140 series



Continuous thrust **91N~273N**

Peak thrust **252N~756N**

Temperature rise **< 0.05°C/W**

Thrust fluctuation **< 2%**

## Product parameter

Motor Model	TICA55-1	TICA55-2	TICA55-3
Cont. Thrust (N)	91	182	273
Peak Thrust (N)	252	504	756
Cont. Current (A)	3.38	3.38	3.38
Max. Current (A)	10.31	10.31	10.31
Max. Speed* <sup>1</sup> (m/s)	5		
Max. Accel.* <sup>1</sup> (m/s <sup>2</sup> )	50		
Repeatability (μm)	Magnetic Scale: ±3; Optical Scale: ±2		
Max. Load* <sup>1</sup> (kg)	100		
Height (mm)	78.5		
Stroke* <sup>2</sup> (mm)	35~1985(50 pitch)	47~1997(50 pitch)	10~1960(50 pitch)

\*<sup>1</sup> Maximum acceleration, maximum speed, and maximum load are reference values. Actual values should be comprehensively evaluated based on the motion plan. If the actual parameters exceed the reference values, please contact the manufacturer for assessment.

\*<sup>2</sup> For longer strokes, please contact the manufacturer.

# TLM140-TICA55-1

TLM series

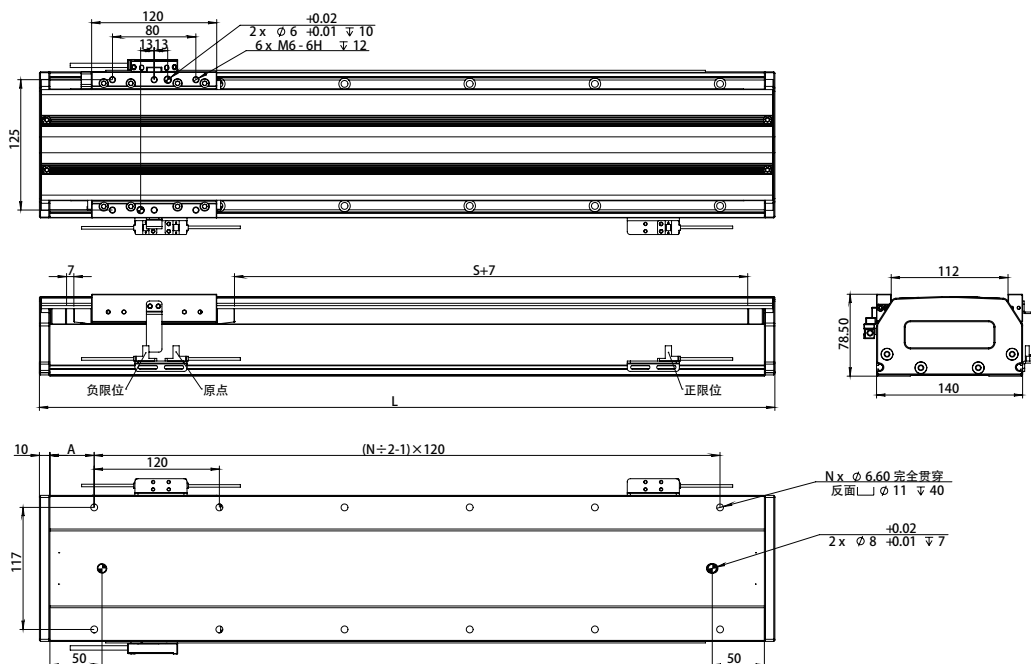
TSLM series

TIC series

TU series

## TLM140-TICA55-1

Unit:mm



<b>Eff. Stroke: S</b>	35	85	135	185	235	285	335	385	435	485	535	585	635	685	735	785	835	885	935	985
<b>Mech. Stroke: S + All.</b>	49	99	149	199	249	299	349	399	449	499	549	599	649	699	749	799	849	899	949	999
<b>Total Length: L</b>	255	305	355	405	455	505	555	605	655	705	755	805	855	905	955	1005	1055	1105	1155	1205
<b>No. of Holes: N</b>	4	6	6	6	8	8	10	10	12	12	12	14	14	16	16	16	18	18	20	20
<b>Hole to End: A</b>	57.5	22.5	47.5	72.5	37.5	62.5	27.5	52.5	17.5	42.5	67.5	32.5	57.5	22.5	47.5	72.5	37.5	62.5	27.5	52.5
<b>Mod. Wt. (kg)</b>	6.15	6.92	7.69	8.46	9.23	10	10.8	11.5	12.31	13.1	13.8	14.6	15.38	16.2	16.9	17.7	18.5	19.2	20	20.8
<b>Comp. Wt. (kg)</b>	2.35																			

<b>Eff. Stroke: S</b>	1035	1085	1135	1185	1235	1285	1335	1385	1435	1485	1535	1585	1635	1685	1735	1785	1835	1885	1935	1985
<b>Mech. Stroke: S + All.</b>	1049	1099	1149	1199	1249	1299	1349	1399	1449	1499	1549	1599	1649	1699	1749	1799	1849	1899	1949	1999
<b>Total Length: L</b>	1255	1305	1355	1405	1455	1505	1555	1605	1655	1705	1755	1805	1855	1905	1955	2005	2055	2105	2155	2205
<b>No. of Holes: N</b>	22	22	22	24	24	26	26	26	28	28	30	30	32	32	32	34	34	36	36	36
<b>Hole to End: A</b>	17.5	42.5	67.5	32.5	57.5	22.5	47.5	72.5	37.5	62.5	27.5	52.5	17.5	42.5	67.5	32.5	57.5	22.5	47.5	72.5
<b>Mod. Wt. (kg)</b>	21.5	22.3	23.08	23.8	24.6	25.4	26.2	26.9	27.69	28.5	29.2	30	30.77	31.5	32.3	33.1	33.8	34.6	35.38	36.1
<b>Comp. Wt. (kg)</b>	2.35																			

This diagram is for reference only. Actual dimensions are based on the provided 2D/3D drawings. Product style, appearance, and specifications are subject to change without prior notice.

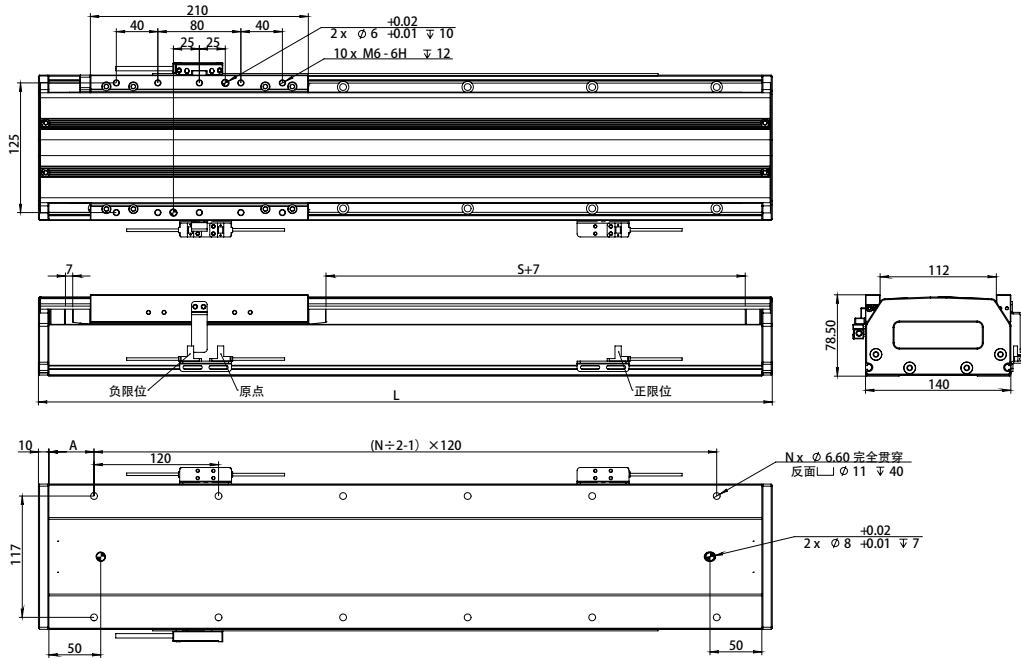
# TLM140-TICA55-2

TLM

TLM series

## TLM140-TICA55-2

Unit:mm



Eff. Stroke: S	47	97	147	197	247	297	347	397	447	497	547	597	647	697	747	797	847	897	947	997
Mech. Stroke: S + All.	61	111	161	211	261	311	361	411	461	511	561	611	661	711	761	811	861	911	961	1011
Total Length: L	357	407	457	507	557	607	657	707	757	807	857	907	957	1007	1057	1107	1157	1207	1257	1307
No. of Holes: N	6	6	8	8	10	10	12	12	12	14	14	16	16	16	18	18	20	20	22	22
Hole to End: A	48.5	73.5	38.5	63.5	28.5	53.5	18.5	43.5	68.5	33.5	58.5	23.5	48.5	73.5	38.5	63.5	28.5	53.5	18.5	43.5
Mod. Wt. (kg)	8.13	8.9	9.67	10.4	11.2	12	12.7	13.5	14.28	15.1	15.8	16.6	17.36	18.1	18.9	19.7	20.4	21.2	21.97	22.7
Comp. Wt. (kg)	3.35																			

Eff. Stroke: S	1047	1097	1147	1197	1247	1297	1347	1397	1447	1497	1547	1597	1647	1697	1747	1797	1847	1897	1947	1997
Mech. Stroke: S + All.	1061	1111	1161	1211	1261	1311	1361	1411	1461	1511	1561	1611	1661	1711	1761	1811	1861	1911	1961	2011
Total Length: L	1357	1407	1457	1507	1557	1607	1657	1707	1757	1807	1857	1907	1957	2007	2057	2107	2157	2207	2257	2307
No. of Holes: N	22	24	24	26	26	26	28	28	30	30	32	32	32	34	34	36	36	36	38	38
Hole to End: A	68.5	33.5	58.5	23.5	48.5	73.5	38.5	63.5	28.5	53.5	18.5	43.5	68.5	33.5	58.5	23.5	48.5	73.5	38.5	63.5
Mod. Wt. (kg)	23.5	24.3	25.05	25.8	26.6	27.4	28.1	28.9	29.67	30.4	31.2	32	32.74	33.5	34.3	35.1	35.8	36.6	37.36	38.1
Comp. Wt. (kg)	3.35																			

This diagram is for reference only. Actual dimensions are based on the provided 2D/3D drawings. Product style, appearance, and specifications are subject to change without prior notice.

# TLM140-TICA55-3

TLM series

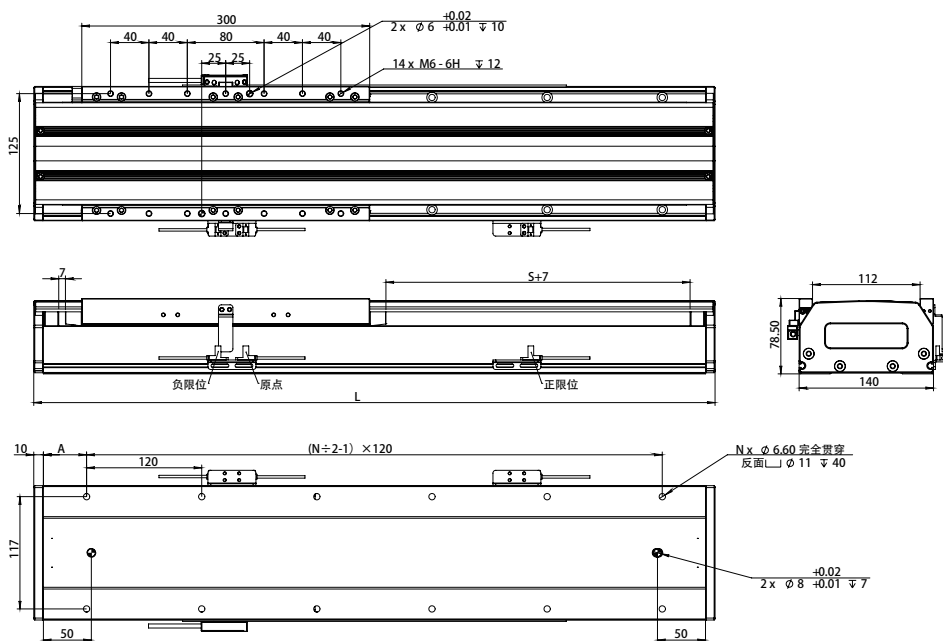
TSLM series

TIC series

TU series

## TLM140-TICA55-3

Unit:mm

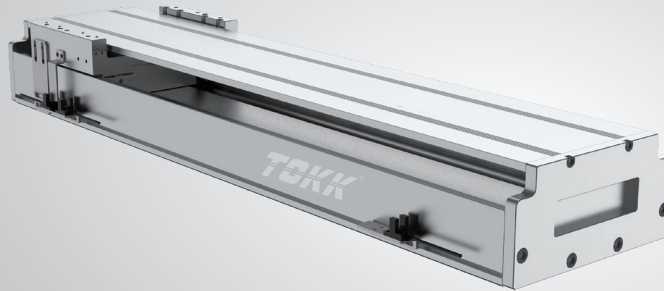


<b>Eff. Stroke: S</b>	10	60	110	160	210	260	310	360	410	460	510	560	610	660	710	760	810	860	910	960
<b>Mech. Stroke: S + All.</b>	24	74	124	174	224	274	324	374	424	474	524	574	624	674	724	774	824	874	924	974
<b>Total Length: L</b>	410	460	510	560	610	660	710	760	810	860	910	960	1010	1060	1110	1160	1210	1260	1310	1360
<b>No. of Holes: N</b>	6	8	8	10	10	12	12	12	14	14	16	16	16	18	18	20	20	22	22	22
<b>Hole to End: A</b>	75	40	65	30	55	20	45	70	35	60	25	50	75	40	65	30	55	20	45	70
<b>Mod. Wt. (kg)</b>	10.6	11.3	12.11	12.9	13.6	14.4	15.1	15.9	16.65	17.4	18.2	18.9	19.68	20.4	21.2	22	22.7	23.5	24.23	25
<b>Comp. Wt. (kg)</b>	4.42																			

<b>Eff. Stroke: S</b>	1010	1060	1110	1160	1210	1260	1310	1360	1410	1460	1510	1560	1610	1660	1710	1760	1810	1860	1910	1960
<b>Mech. Stroke: S + All.</b>	1024	1074	1124	1174	1224	1274	1324	1374	1424	1474	1524	1574	1624	1674	1724	1774	1824	1874	1924	1974
<b>Total Length: L</b>	1410	1460	1510	1560	1610	1660	1710	1760	1810	1860	1910	1960	2010	2060	2110	2160	2210	2260	2310	2360
<b>No. of Holes: N</b>	24	24	26	26	26	28	28	30	30	32	32	32	34	34	36	36	36	38	38	40
<b>Hole to End: A</b>	35	60	25	50	75	40	65	30	55	20	45	70	35	60	25	50	75	40	65	30
<b>Mod. Wt. (kg)</b>	25.7	26.5	27.26	28.0	28.8	29.5	30.3	31.1	31.81	32.6	33.3	34.1	34.84	35.6	36.4	37.1	37.9	38.6	39.39	40.1
<b>Comp. Wt. (kg)</b>	4.42																			

This diagram is for reference only. Actual dimensions are based on the provided 2D/3D drawings. Product style, appearance, and specifications are subject to change without prior notice.

# Linear module TLM170 series



Continuous thrust **138N~414N**

Peak thrust **371N~1113N**

Temperature rise **< 0.05°C/W**

Thrust fluctuation **< 2%**

## Product parameter

Motor Model	TICA75-1	TICA75-2	TICA75-3
Cont. Thrust (N)	138	276	414
Peak Thrust (N)	371	742	1113
Cont. Current (A)	3.23	3.23	3.23
Max. Current (A)	10.31	10.31	10.31
Max. Speed* <sup>1</sup> (m/s)	5		
Max. Accel.* <sup>1</sup> (m/s <sup>2</sup> )	50		
Repeatability (μm)	Magnetic Scale: ±3; Optical Scale: ±2		
Max. Load* <sup>1</sup> (kg)	160		
Height (mm)	90.5		
Stroke* <sup>2</sup> (mm)	35~1985(50 pitch)	47~1997(50 pitch)	10~1960(50 pitch)

\*<sup>1</sup> Maximum acceleration, maximum speed, and maximum load are reference values. Actual values should be comprehensively evaluated based on the motion plan. If the actual parameters exceed the reference values, please contact the manufacturer for assessment.

\*<sup>2</sup> For longer strokes, please contact the manufacturer.

# TLM170-TICA75-1

TLM series

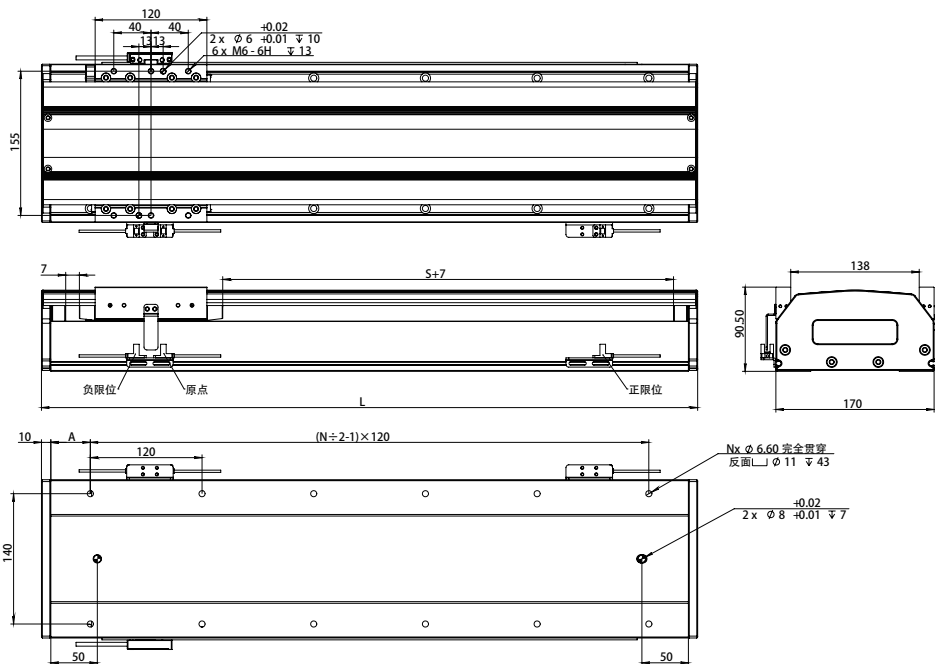
TSLM series

TIC series

TU series

## TLM170-TICA75-1

Unit:mm



<b>Eff. Stroke: S</b>	35	85	135	185	235	285	335	385	435	485	535	585	635	685	735	785	835	885	935	985
<b>Mech. Stroke: S + All.</b>	49	99	149	199	249	299	349	399	449	499	549	599	649	699	749	799	849	899	949	999
<b>Total Length: L</b>	255	305	355	405	455	505	555	605	655	705	755	805	855	905	955	1005	1055	1105	1155	1205
<b>No. of Holes: N</b>	4	6	6	6	8	8	10	10	12	12	12	14	14	16	16	16	18	18	20	20
<b>Hole to End: A</b>	57.5	22.5	47.5	72.5	37.5	62.5	27.5	52.5	17.5	42.5	67.5	32.5	57.5	22.5	47.5	72.5	37.5	62.5	27.5	52.5
<b>Mod. Wt. (kg)</b>	8.03	9.07	10.11	11.1	12.2	13.2	14.3	15.3	16.34	17.4	18.4	19.5	20.49	21.5	22.6	23.6	24.6	25.7	26.72	27.8
<b>Comp. Wt. (kg)</b>	2.9																			

<b>Eff. Stroke: S</b>	1035	1085	1135	1185	1235	1285	1335	1385	1435	1485	1535	1585	1635	1685	1735	1785	1835	1885	1935	1985
<b>Mech. Stroke: S + All.</b>	1049	1099	1149	1199	1249	1299	1349	1399	1449	1499	1549	1599	1649	1699	1749	1799	1849	1899	1949	1999
<b>Total Length: L</b>	1255	1305	1355	1405	1455	1505	1555	1605	1655	1705	1755	1805	1855	1905	1955	2005	2055	2105	2155	2205
<b>No. of Holes: N</b>	22	22	22	24	24	26	26	26	28	28	30	30	32	32	32	34	34	36	36	36
<b>Hole to End: A</b>	17.5	42.5	67.5	32.5	57.5	22.5	47.5	72.5	37.5	62.5	27.5	52.5	17.5	42.5	67.5	32.5	57.5	22.5	47.5	72.5
<b>Mod. Wt. (kg)</b>	28.8	29.8	30.87	31.9	32.9	34	35.1	36.1	37.10	38.1	39.2	40.2	41.25	42.3	43.3	44.4	45.4	46.4	47.48	48.5
<b>Comp. Wt. (kg)</b>	2.9																			

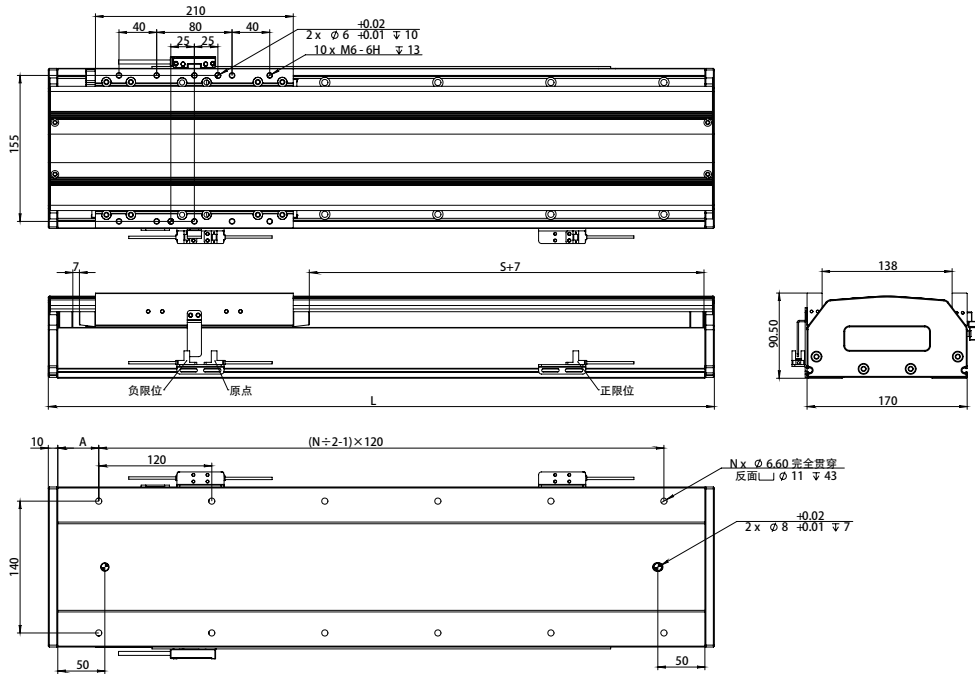
This diagram is for reference only. Actual dimensions are based on the provided 2D/3D drawings. Product style, appearance, and specifications are subject to change without prior notice.



# TLM170-TICA75-2

## TLM170-TICA75-2

Unit:mm



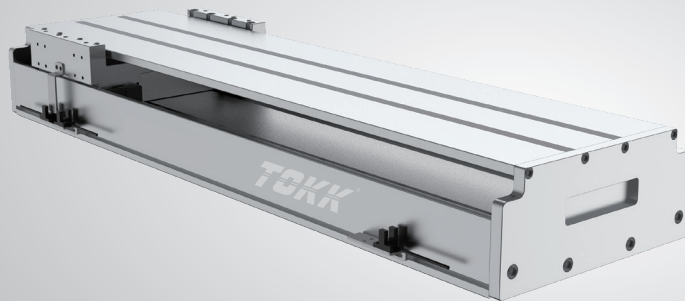
<b>Eff. Stroke: S</b>	47	97	147	197	247	297	347	397	447	497	547	597	647	697	747	797	847	897	947	997
<b>Mech. Stroke: S + All.</b>	61	111	161	211	261	311	361	411	461	511	561	611	661	711	761	811	861	911	961	1011
<b>Total Length: L</b>	357	407	457	507	557	607	657	707	757	807	857	907	957	1007	1057	1107	1157	1207	1257	1307
<b>No. of Holes: N</b>	6	6	8	8	10	10	12	12	12	14	14	16	16	16	18	18	20	20	22	22
<b>Hole to End: A</b>	48.5	73.5	38.5	63.5	28.5	53.5	18.5	43.5	68.5	33.5	58.5	23.5	48.5	73.5	38.5	63.5	28.5	53.5	18.5	43.5
<b>Mod. Wt. (kg)</b>	12.1	13.1	14.16	15.2	16.2	17.3	18.3	19.4	20.42	21.5	22.5	23.5	24.59	25.6	26.7	27.7	28.8	29.8	30.85	31.9
<b>Comp. Wt. (kg)</b>	4.81																			

<b>Eff. Stroke: S</b>	1047	1097	1147	1197	1247	1297	1347	1397	1447	1497	1547	1597	1647	1697	1747	1797	1847	1897	1947	1997
<b>Mech. Stroke: S + All.</b>	1061	1111	1161	1211	1261	1311	1361	1411	1461	1511	1561	1611	1661	1711	1761	1811	1861	1911	1961	2011
<b>Total Length: L</b>	1357	1407	1457	1507	1557	1607	1657	1707	1757	1807	1857	1907	1957	2007	2057	2107	2157	2207	2257	2307
<b>No. of Holes: N</b>	22	24	24	26	26	26	28	28	30	30	32	32	32	34	34	36	36	36	38	38
<b>Hole to End: A</b>	68.5	33.5	58.5	23.5	48.5	73.5	38.5	63.5	28.5	53.5	18.5	43.5	68.5	33.5	58.5	23.5	48.5	73.5	38.5	63.5
<b>Mod. Wt. (kg)</b>	32.9	34	35.02	36.1	37.1	38.1	39.2	40.2	41.28	42.3	43.4	44.4	45.45	46.5	47.5	48.6	49.6	50.7	51.70	52.7
<b>Comp. Wt. (kg)</b>	4.81																			

This diagram is for reference only. Actual dimensions are based on the provided 2D/3D drawings. Product style, appearance, and specifications are subject to change without prior notice.



# Linear module TLM210 series



Continuous thrust **189N~567N**

Peak thrust **522N~1566N**

Temperature rise **< 0.05°C/W**

Thrust fluctuation **< 2%**

## Product parameter

Motor Model	TICA95-1	TICA95-2	TICA95-3
Cont. Thrust (N)	189	378	567
Peak Thrust (N)	522	1044	1566
Cont. Current (A)	3.28	3.28	3.28
Max. Current (A)	10.3	10.3	10.3
Max. Speed* <sup>1</sup> (m/s)	5		
Max. Accel.* <sup>1</sup> (m/s <sup>2</sup> )	50		
Repeatability (μm)	Magnetic Scale: ±3; Optical Scale: ±2		
Max. Load* <sup>1</sup> (kg)	250		
Height (mm)	97		
Stroke* <sup>2</sup> (mm)	35~1985(50 pitch)	47~1997(50 pitch)	10~1960(50 pitch)

\*<sup>1</sup> Maximum acceleration, maximum speed, and maximum load are reference values. Actual values should be comprehensively evaluated based on the motion plan. If the actual parameters exceed the reference values, please contact the manufacturer for assessment.

\*<sup>2</sup> For longer strokes, please contact the manufacturer.

# TLM210-TICA95-1

TLM series

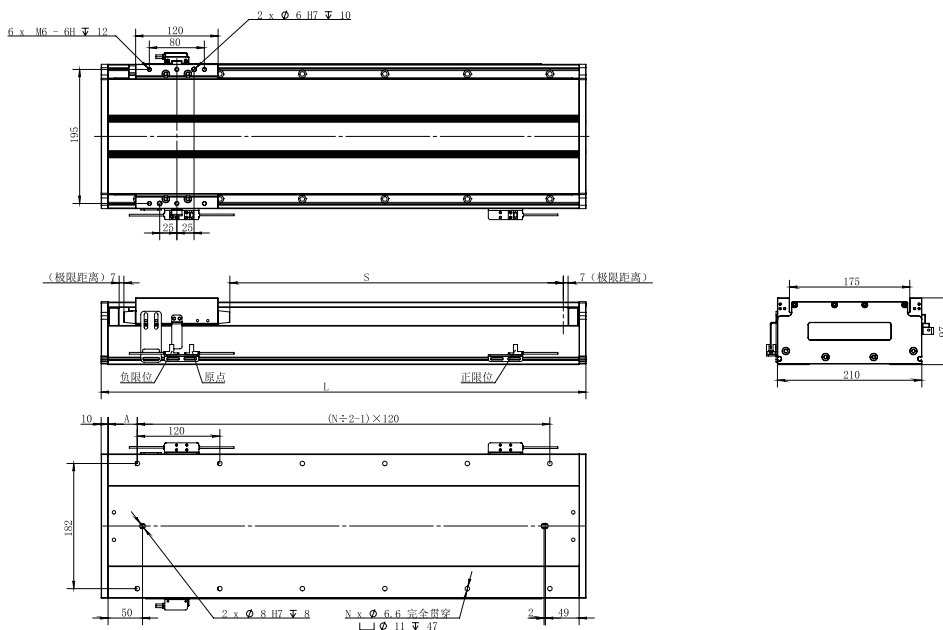
TSLM series

TIC series

TU series

## TLM210-TICA95-1

Unit:mm



<b>Eff. Stroke: S</b>	35	85	135	185	235	285	335	385	435	485	535	585	635	685	735	785	835	885	935	985
<b>Mech. Stroke: S + All.</b>	49	99	149	199	249	299	349	399	449	499	549	599	649	699	749	799	849	899	949	999
<b>Total Length: L</b>	255	305	355	405	455	505	555	605	655	705	755	805	855	905	955	1005	1055	1105	1155	1205
<b>No. of Holes: N</b>	4	6	6	6	8	8	10	10	12	12	12	14	14	16	16	16	18	18	20	20
<b>Hole to End: A</b>	57.5	22.5	47.5	72.5	37.5	62.5	27.5	52.5	17.5	42.5	67.5	32.5	57.5	22.5	47.5	72.5	37.5	62.5	27.5	52.5
<b>Mod. Wt. (kg)</b>	10.7	12.0	13.42	14.8	16.2	17.6	19	20.4	21.74	23.1	24.5	25.9	27.29	28.7	30.1	31.4	32.8	34.2	35.61	37
<b>Comp. Wt. (kg)</b>	3.91																			

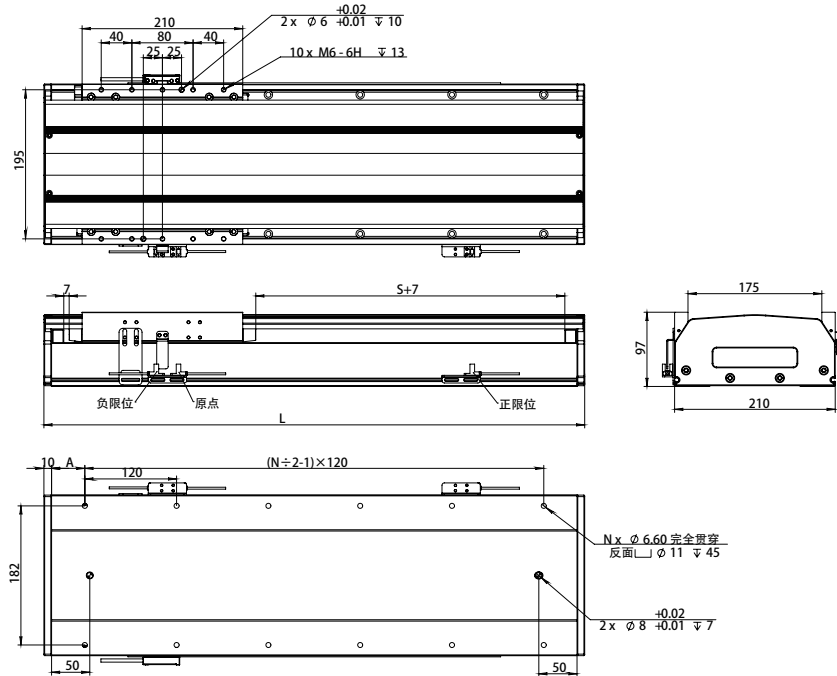
<b>Eff. Stroke: S</b>	1035	1085	1135	1185	1235	1285	1335	1385	1435	1485	1535	1585	1635	1685	1735	1785	1835	1885	1935	1985
<b>Mech. Stroke: S + All.</b>	1049	1099	1149	1199	1249	1299	1349	1399	1449	1499	1549	1599	1649	1699	1749	1799	1849	1899	1949	1999
<b>Total Length: L</b>	1255	1305	1355	1405	1455	1505	1555	1605	1655	1705	1755	1805	1855	1905	1955	2005	2055	2105	2155	2205
<b>No. of Holes: N</b>	22	22	22	24	24	26	26	26	28	28	30	30	32	32	32	34	34	36	36	36
<b>Hole to End: A</b>	17.5	42.5	67.5	32.5	57.5	22.5	47.5	72.5	37.5	62.5	27.5	52.5	17.5	42.5	67.5	32.5	57.5	22.5	47.5	72.5
<b>Mod. Wt. (kg)</b>	38.4	39.8	41.16	42.5	43.9	45.3	46.7	48.1	49.47	50.9	52.2	53.6	55.02	56.4	57.8	59.2	60.6	62	63.33	64.7
<b>Comp. Wt. (kg)</b>	3.91																			

This diagram is for reference only. Actual dimensions are based on the provided 2D/3D drawings. Product style, appearance, and specifications are subject to change without prior notice.

# TLM210-TICA95-2

## TLM210-TICA95-2

Unit:mm



<b>Eff. Stroke: S</b>	47	97	147	197	247	297	347	397	447	497	547	597	647	697	747	797	847	897	947	997
<b>Mech. Stroke: S + All.</b>	61	111	161	211	261	311	361	411	461	511	561	611	661	711	761	811	861	911	961	1011
<b>Total Length: L</b>	357	407	457	507	557	607	657	707	757	807	857	907	957	1007	1057	1107	1157	1207	1257	1307
<b>No. of Holes: N</b>	6	6	8	8	10	10	12	12	12	14	14	16	16	16	18	18	20	20	22	22
<b>Hole to End: A</b>	48.5	73.5	38.5	63.5	28.5	53.5	18.5	43.5	68.5	33.5	58.5	23.5	48.5	73.5	38.5	63.5	28.5	53.5	18.5	43.5
<b>Mod. Wt. (kg)</b>	16.4	17.8	19.19	20.6	22	23.4	24.7	26.1	27.51	28.9	30.3	31.7	33.05	34.4	35.8	37.2	38.6	40	41.36	42.7
<b>Comp. Wt. (kg)</b>	6.86																			

<b>Eff. Stroke: S</b>	1047	1097	1147	1197	1247	1297	1347	1397	1447	1497	1547	1597	1647	1697	1747	1797	1847	1897	1947	1997
<b>Mech. Stroke: S + All.</b>	1061	1111	1161	1211	1261	1311	1361	1411	1461	1511	1561	1611	1661	1711	1761	1811	1861	1911	1961	2011
<b>Total Length: L</b>	1357	1407	1457	1507	1557	1607	1657	1707	1757	1807	1857	1907	1957	2007	2057	2107	2157	2207	2257	2307
<b>No. of Holes: N</b>	22	24	24	26	26	26	28	28	30	30	32	32	32	34	34	36	36	36	38	38
<b>Hole to End: A</b>	68.5	33.5	58.5	23.5	48.5	73.5	38.5	63.5	28.5	53.5	18.5	43.5	68.5	33.5	58.5	23.5	48.5	73.5	38.5	63.5
<b>Mod. Wt. (kg)</b>	44.1	45.5	46.9	48.3	49.7	51.1	52.4	53.8	55.21	56.6	58	59.4	60.75	62.1	63.5	64.9	66.3	67.7	69.06	70.4
<b>Comp. Wt. (kg)</b>	6.86																			

This diagram is for reference only. Actual dimensions are based on the provided 2D/3D drawings. Product style, appearance, and specifications are subject to change without prior notice.

# TLM210-TICA95-3

TLM series

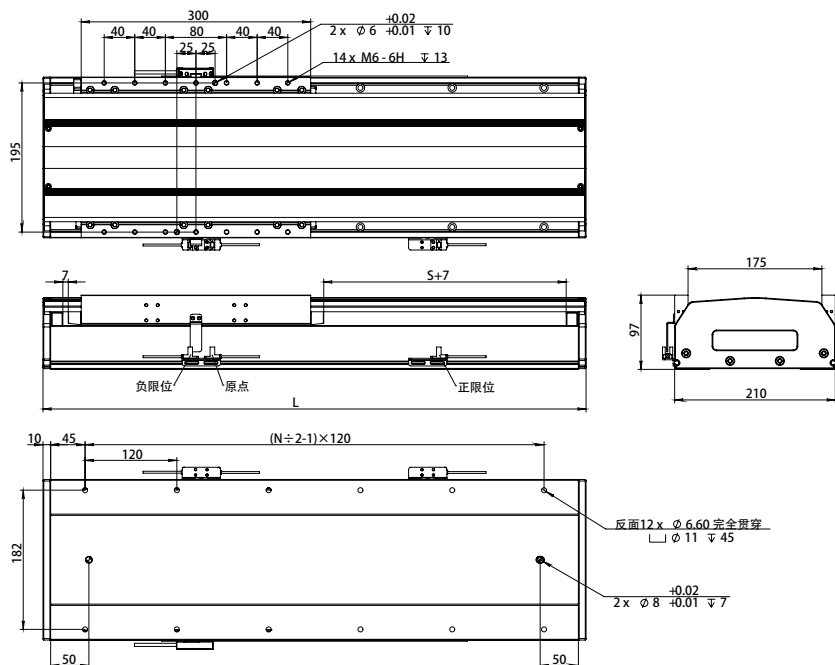
TSLM series

TIC series

TU series

## TLM210-TICA95-3

Unit:mm



<b>Eff. Stroke: S</b>	10	60	110	160	210	260	310	360	410	460	510	560	610	660	710	760	810	860	910	960
<b>Mech. Stroke: S + All.</b>	24	74	124	174	224	274	324	374	424	474	524	574	624	674	724	774	824	874	924	974
<b>Total Length: L</b>	410	460	510	560	610	660	710	760	810	860	910	960	1010	1060	1110	1160	1210	1260	1310	1360
<b>No. of Holes: N</b>	6	8	8	10	10	12	12	12	14	14	16	16	16	18	18	20	20	22	22	22
<b>Hole to End: A</b>	75	40	65	30	55	20	45	70	35	60	25	50	75	40	65	30	55	20	45	70
<b>Mod. Wt. (kg)</b>	20.1	21.5	22.86	24.2	25.6	27	28.4	29.8	31.17	32.6	33.9	35.3	36.72	38.1	39.5	40.9	42.3	43.6	45.04	46.4
<b>Comp. Wt. (kg)</b>	9.1																			

<b>Eff. Stroke: S</b>	1010	1060	1110	1160	1210	1260	1310	1360	1410	1460	1510	1560	1610	1660	1710	1760	1810	1860	1910	1960
<b>Mech. Stroke: S + All.</b>	1024	1074	1124	1174	1224	1274	1324	1374	1424	1474	1524	1574	1624	1674	1724	1774	1824	1874	1924	1974
<b>Total Length: L</b>	1410	1460	1510	1560	1610	1660	1710	1760	1810	1860	1910	1960	2010	2060	2110	2160	2210	2260	2310	2360
<b>No. of Holes: N</b>	24	24	26	26	26	28	28	30	30	32	32	32	34	34	36	36	36	38	38	40
<b>Hole to End: A</b>	35	60	25	50	75	40	65	30	55	20	45	70	35	60	25	50	75	40	65	30
<b>Mod. Wt. (kg)</b>	47.8	49.2	50.58	52	53.4	54.7	56.1	57.5	58.9	60.3	61.7	63.1	64.44	65.8	67.2	68.6	70	71.4	72.76	74.1
<b>Comp. Wt. (kg)</b>	9.1																			

This diagram is for reference only. Actual dimensions are based on the provided 2D/3D drawings. Product style, appearance, and specifications are subject to change without prior notice.

# Linear module TLM235 series



Continuous thrust **234N~819N**

Peak thrust **648N~2277N**

Temperature rise **< 0.05°C/W**

Thrust fluctuation **< 2%**

## Product parameter

Motor Model	TICA115-1	TICA115-2	TICA115-3	TICA125-1	TICA125-2	TICA125-3
Cont. Thrust (N)	234	468	702	273	546	819
Peak Thrust (N)	648	1296	1944	759	1518	2277
Cont. Current (A)	3.22	3.22	3.22	3.38	3.38	3.38
Max. Current (A)	10.29	10.29	10.29	10.28	10.28	10.28
Max. Speed* <sup>1</sup> (m/s)	4					
Max. Accel.* <sup>1</sup> (m/s <sup>2</sup> )	50					
Repeatability (μm)	Magnetic Scale: ±3; Optical Scale: ±2					
Max. Load* <sup>1</sup> (kg)	300					
Height (mm)	105					
Stroke* <sup>2</sup> (mm)	35~1985(50 pitch)	47~1997(50 pitch)	10~1960(50 pitch)	35~1985(50 pitch)	47~1997(50 pitch)	10~1960(50 pitch)

\*<sup>1</sup> Maximum acceleration, maximum speed, and maximum load are reference values. Actual values should be comprehensively evaluated based on the motion plan. If the actual parameters exceed the reference values, please contact the manufacturer for assessment.

\*<sup>2</sup> For longer strokes, please contact the manufacturer.

# TLM235-TICA115-1

TLM series

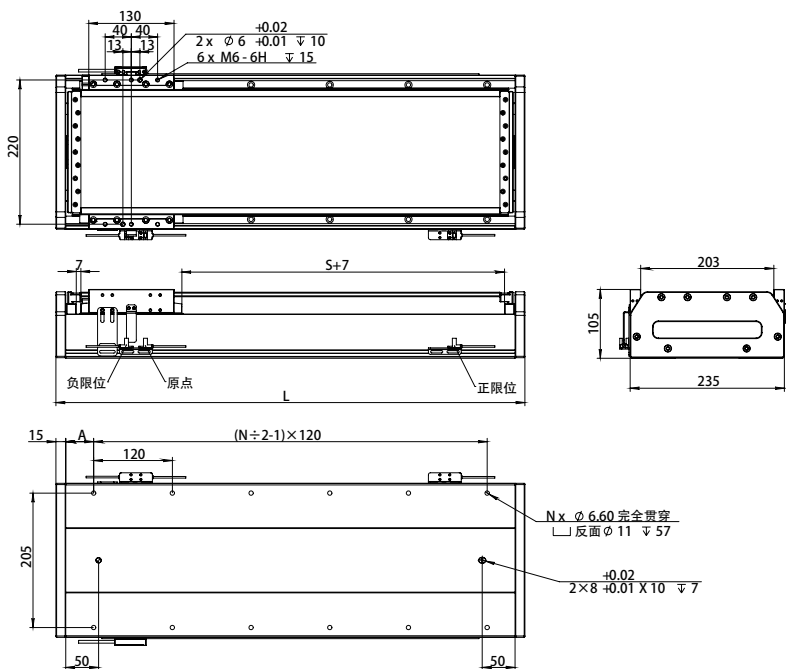
TSLM series

TIC series

TU series

## TLM235-TICA115-1

Unit:mm



<b>Eff. Stroke: S</b>	35	85	135	185	235	285	335	385	435	485	535	585	635	685	735	785	835	885	935	985
<b>Mech. Stroke: S + All.</b>	49	99	149	199	249	299	349	399	449	499	549	599	649	699	749	799	849	899	949	999
<b>Total Length: L</b>	265	315	365	415	465	515	565	615	665	715	765	815	865	915	965	1015	1065	1115	1165	1215
<b>No. of Holes: N</b>	4	6	6	6	8	8	10	10	12	12	12	14	14	16	16	16	18	18	20	20
<b>Hole to End: A</b>	57.5	22.5	47.5	72.5	37.5	62.5	27.5	52.5	17.5	42.5	67.5	32.5	57.5	22.5	47.5	72.5	37.5	62.5	27.5	52.5
<b>Mod. Wt. (kg)</b>	13.4	15.1	16.84	18.6	20.3	22	23.8	25.5	27.21	28.9	30.7	32.4	34.12	35.8	37.6	39.3	41	42.8	44.49	46.2
<b>Comp. Wt. (kg)</b>	4.63																			

<b>Eff. Stroke: S</b>	1035	1085	1135	1185	1235	1285	1335	1385	1435	1485	1535	1585	1635	1685	1735	1785	1835	1885	1935	1985
<b>Mech. Stroke: S + All.</b>	1049	1099	1149	1199	1249	1299	1349	1399	1449	1499	1549	1599	1649	1699	1749	1799	1849	1899	1949	1999
<b>Total Length: L</b>	1265	1315	1365	1415	1465	1515	1565	1615	1665	1715	1765	1815	1865	1915	1965	2015	2065	2115	2165	2215
<b>No. of Holes: N</b>	22	22	22	24	24	26	26	26	28	28	30	30	32	32	32	34	34	36	36	36
<b>Hole to End: A</b>	17.5	42.5	67.5	32.5	57.5	22.5	47.5	72.5	37.5	62.5	27.5	52.5	17.5	42.5	67.5	32.5	57.5	22.5	47.5	72.5
<b>Mod. Wt. (kg)</b>	47.9	49.7	51.4	53.1	54.9	56.6	58.3	60	61.77	63.5	65.2	67	68.68	70.4	72.1	73.9	75.6	77.3	79.05	80.8
<b>Comp. Wt. (kg)</b>	4.63																			

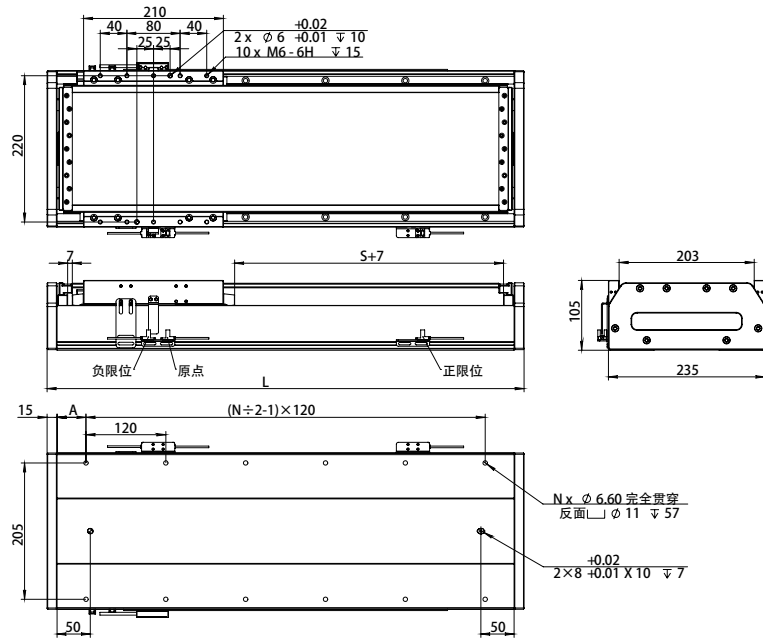
This diagram is for reference only. Actual dimensions are based on the provided 2D/3D drawings. Product style, appearance, and specifications are subject to change without prior notice.



# TLM235-TICA115-2

## TLM235-TICA115-2

Unit:mm



<b>Eff. Stroke: S</b>	47	97	147	197	247	297	347	397	447	497	547	597	647	697	747	797	847	897	947	997
<b>Mech. Stroke: S + All.</b>	61	111	161	211	261	311	361	411	461	511	561	611	661	711	761	811	861	911	961	1011
<b>Total Length: L</b>	367	417	467	517	567	617	667	717	767	817	867	917	967	1017	1067	1117	1167	1217	1267	1317
<b>No. of Holes: N</b>	6	6	8	8	10	10	12	12	12	14	14	16	16	16	18	18	20	20	22	22
<b>Hole to End: A</b>	48.5	73.5	38.5	63.5	28.5	53.5	18.5	43.5	68.5	33.5	58.5	23.5	48.5	73.5	38.5	63.5	28.5	53.5	18.5	43.5
<b>Mod. Wt. (kg)</b>	19.3	21	22.72	24.4	26.2	27.9	29.6	31.3	33.03	34.8	36.5	38.2	39.9	41.6	43.3	45.1	46.8	48.5	50.21	51.9
<b>Comp. Wt. (kg)</b>	7.22																			

<b>Eff. Stroke: S</b>	1047	1097	1147	1197	1247	1297	1347	1397	1447	1497	1547	1597	1647	1697	1747	1797	1847	1897	1947	1997
<b>Mech. Stroke: S + All.</b>	1061	1111	1161	1211	1261	1311	1361	1411	1461	1511	1561	1611	1661	1711	1761	1811	1861	1911	1961	2011
<b>Total Length: L</b>	1367	1417	1467	1517	1567	1617	1667	1717	1767	1817	1867	1917	1967	2017	2067	2117	2167	2217	2267	2317
<b>No. of Holes: N</b>	22	24	24	26	26	26	28	28	30	30	32	32	32	34	34	36	36	36	38	38
<b>Hole to End: A</b>	68.5	33.5	58.5	23.5	48.5	73.5	38.5	63.5	28.5	53.5	18.5	43.5	68.5	33.5	58.5	23.5	48.5	73.5	38.5	63.5
<b>Mod. Wt. (kg)</b>	53.6	55.4	57.08	58.8	60.5	62.2	64	65.7	67.39	69.1	70.8	72.5	74.26	76	77.7	79.4	81.1	82.9	84.57	86.3
<b>Comp. Wt. (kg)</b>	7.22																			

This diagram is for reference only. Actual dimensions are based on the provided 2D/3D drawings. Product style, appearance, and specifications are subject to change without prior notice.

# TLM235-TICA115-3

TLM series

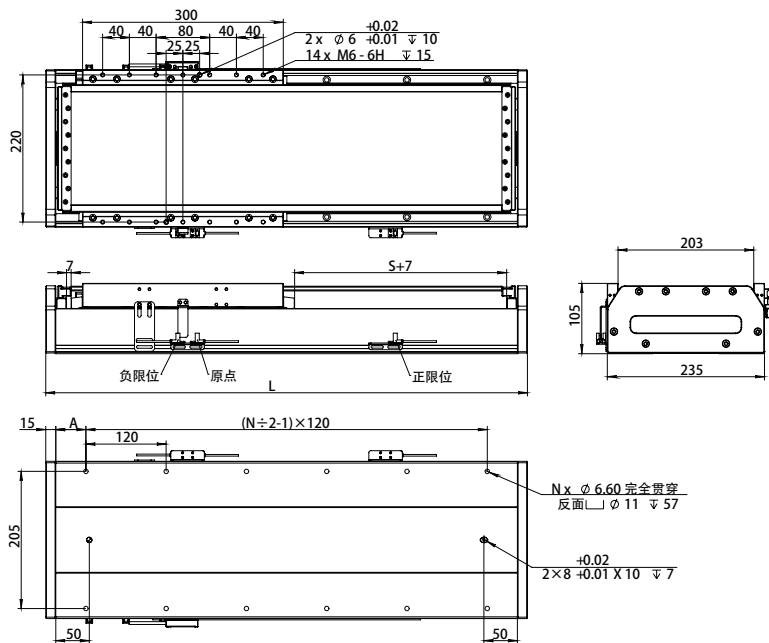
TSLM series

TIC series

TU series

## TLM235-TICA115-3

Unit:mm



<b>Eff. Stroke: S</b>	10	60	110	160	210	260	310	360	410	460	510	560	610	660	710	760	810	860	910	960
<b>Mech. Stroke: S + All.</b>	24	74	124	174	224	274	324	374	424	474	524	574	624	674	724	774	824	874	924	974
<b>Total Length: L</b>	420	470	520	570	620	670	720	770	820	870	920	970	1020	1070	1120	1170	1220	1270	1320	1370
<b>No. of Holes: N</b>	6	8	8	10	10	12	12	12	14	14	16	16	16	18	18	20	20	22	22	22
<b>Hole to End: A</b>	75	40	65	30	55	20	45	70	35	60	25	50	75	40	65	30	55	20	45	70
<b>Mod. Wt. (kg)</b>	23.9	25.6	27.36	29.1	30.8	32.6	34.3	36.1	37.79	39.5	41.3	43	44.74	46.5	48.2	50	51.7	53.4	55.17	56.9
<b>Comp. Wt. (kg)</b>	10.1																			

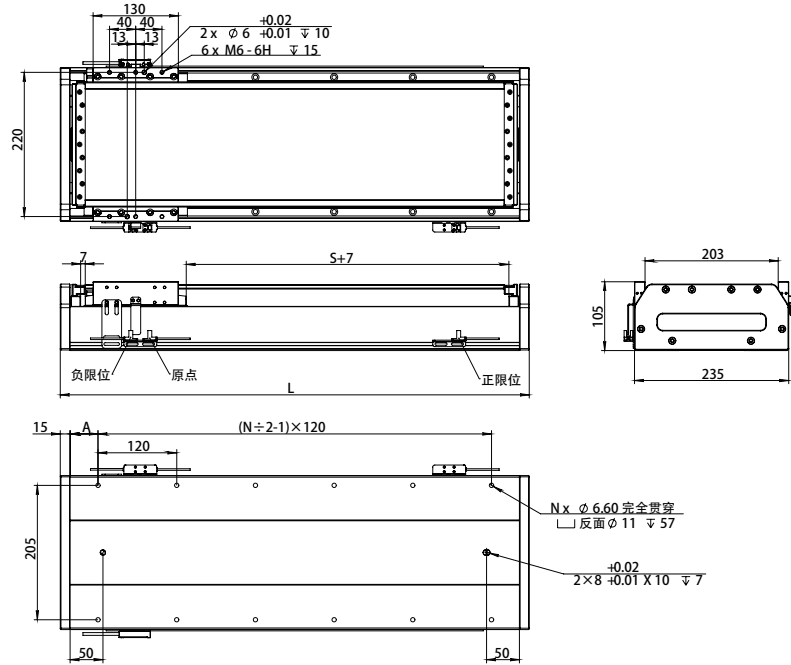
<b>Eff. Stroke: S</b>	1010	1060	1110	1160	1210	1260	1310	1360	1410	1460	1510	1560	1610	1660	1710	1760	1810	1860	1910	1960
<b>Mech. Stroke: S + All.</b>	1024	1074	1124	1174	1224	1274	1324	1374	1424	1474	1524	1574	1624	1674	1724	1774	1824	1874	1924	1974
<b>Total Length: L</b>	1420	1470	1520	1570	1620	1670	1720	1770	1820	1870	1920	1970	2020	2070	2120	2170	2220	2270	2320	2370
<b>No. of Holes: N</b>	24	24	26	26	26	28	28	30	30	32	32	32	34	34	36	36	36	38	38	40
<b>Hole to End: A</b>	35	60	25	50	75	40	65	30	55	20	45	70	35	60	25	50	75	40	65	30
<b>Mod. Wt. (kg)</b>	58.6	60.4	62.12	63.9	65.6	67.3	69.1	70.8	72.55	74.3	76	77.8	79.50	81.2	83	84.7	86.5	88.2	89.93	91.7
<b>Comp. Wt. (kg)</b>	10.1																			

This diagram is for reference only. Actual dimensions are based on the provided 2D/3D drawings. Product style, appearance, and specifications are subject to change without prior notice.

# TLM235-TICA125-1

## TLM235-TICA125-1

Unit: mm



<b>Eff. Stroke: S</b>	35	85	135	185	235	285	335	385	435	485	535	585	635	685	735	785	835	885	935	985
<b>Mech. Stroke: S + All.</b>	49	99	149	199	249	299	349	399	449	499	549	599	649	699	749	799	849	899	949	999
<b>Total Length: L</b>	265	315	365	415	465	515	565	615	665	715	765	815	865	915	965	1015	1065	1115	1165	1215
<b>No. of Holes: N</b>	4	6	6	6	8	8	10	10	12	12	12	14	14	16	16	16	18	18	20	20
<b>Hole to End: A</b>	57.5	22.5	47.5	72.5	37.5	62.5	27.5	52.5	17.5	42.5	67.5	32.5	57.5	22.5	47.5	72.5	37.5	62.5	27.5	52.5
<b>Mod. Wt. (kg)</b>	14.4	16.1	17.84	18.6	21.3	23	24.8	26.5	28.21	29.9	31.7	33.4	35.12	36.8	38.6	40.3	42	43.8	45.49	47.2
<b>Comp. Wt. (kg)</b>	4.85																			

<b>Eff. Stroke: S</b>	1035	1085	1135	1185	1235	1285	1335	1385	1435	1485	1535	1585	1635	1685	1735	1785	1835	1885	1935	1985
<b>Mech. Stroke: S + All.</b>	1049	1099	1149	1199	1249	1299	1349	1399	1449	1499	1549	1599	1649	1699	1749	1799	1849	1899	1949	1999
<b>Total Length: L</b>	1265	1315	1365	1415	1465	1515	1565	1615	1665	1715	1765	1815	1865	1915	1965	2015	2065	2115	2165	2215
<b>No. of Holes: N</b>	22	22	22	24	24	26	26	26	28	28	30	30	32	32	32	34	34	36	36	36
<b>Hole to End: A</b>	17.5	42.5	67.5	32.5	57.5	22.5	47.5	72.5	37.5	62.5	27.5	52.5	17.5	42.5	67.5	32.5	57.5	22.5	47.5	72.5
<b>Mod. Wt. (kg)</b>	48.9	50.7	52.4	54.1	55.9	57.6	59.3	61	62.77	64.5	66.2	68	69.68	71.4	73.1	74.9	76.6	78.3	80.05	81.8
<b>Comp. Wt. (kg)</b>	4.85																			

This diagram is for reference only. Actual dimensions are based on the provided 2D/3D drawings. Product style, appearance, and specifications are subject to change without prior notice.

# TLM235-TICA125-2

TLM series

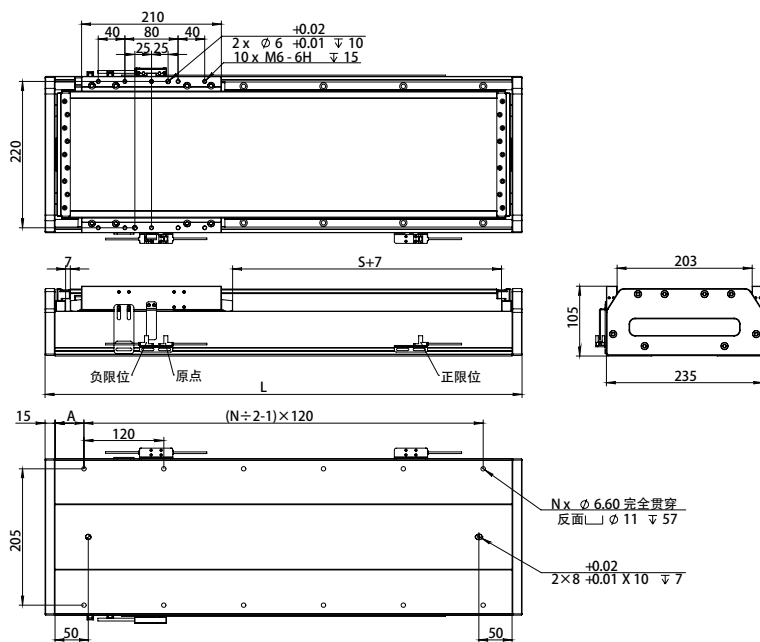
TSLM series

TIC series

TU series

## TLM235-TICA125-2

Unit:mm



<b>Eff. Stroke: S</b>	47	97	147	197	247	297	347	397	447	497	547	597	647	697	747	797	847	897	947	997
<b>Mech. Stroke: S + All.</b>	61	111	161	211	261	311	361	411	461	511	561	611	661	711	761	811	861	911	961	1011
<b>Total Length: L</b>	367	417	467	517	567	617	667	717	767	817	867	917	967	1017	1067	1117	1167	1217	1267	1317
<b>No. of Holes: N</b>	6	6	8	8	10	10	12	12	12	14	14	16	16	16	18	18	20	20	22	22
<b>Hole to End: A</b>	48.5	73.5	38.5	63.5	28.5	53.5	18.5	43.5	68.5	33.5	58.5	23.5	48.5	73.5	38.5	63.5	28.5	53.5	18.5	43.5
<b>Mod. Wt. (kg)</b>	21.3	23	24.72	26.4	28.2	30.9	32.6	34.3	36.03	37.8	38.5	40.2	41.9	43.6	45.3	47.1	48.8	50.5	52.21	53.9
<b>Comp. Wt. (kg)</b>	8.22																			

<b>Eff. Stroke: S</b>	1047	1097	1147	1197	1247	1297	1347	1397	1447	1497	1547	1597	1647	1697	1747	1797	1847	1897	1947	1997
<b>Mech. Stroke: S + All.</b>	1061	1111	1161	1211	1261	1311	1361	1411	1461	1511	1561	1611	1661	1711	1761	1811	1861	1911	1961	2011
<b>Total Length: L</b>	1367	1417	1467	1517	1567	1617	1667	1717	1767	1817	1867	1917	1967	2017	2067	2117	2167	2217	2267	2317
<b>No. of Holes: N</b>	22	24	24	26	26	26	28	28	30	30	32	32	32	34	34	36	36	36	38	38
<b>Hole to End: A</b>	68.5	33.5	58.5	23.5	48.5	73.5	38.5	63.5	28.5	53.5	18.5	43.5	68.5	33.5	58.5	23.5	48.5	73.5	38.5	63.5
<b>Mod. Wt. (kg)</b>	55.6	57.4	59.08	60.8	62.5	64.2	66	67.7	69.39	71.1	72.8	74.5	76.26	78	79.7	81.4	83.1	84.9	86.57	88.3
<b>Comp. Wt. (kg)</b>	8.22																			

This diagram is for reference only. Actual dimensions are based on the provided 2D/3D drawings. Product style, appearance, and specifications are subject to change without prior notice.

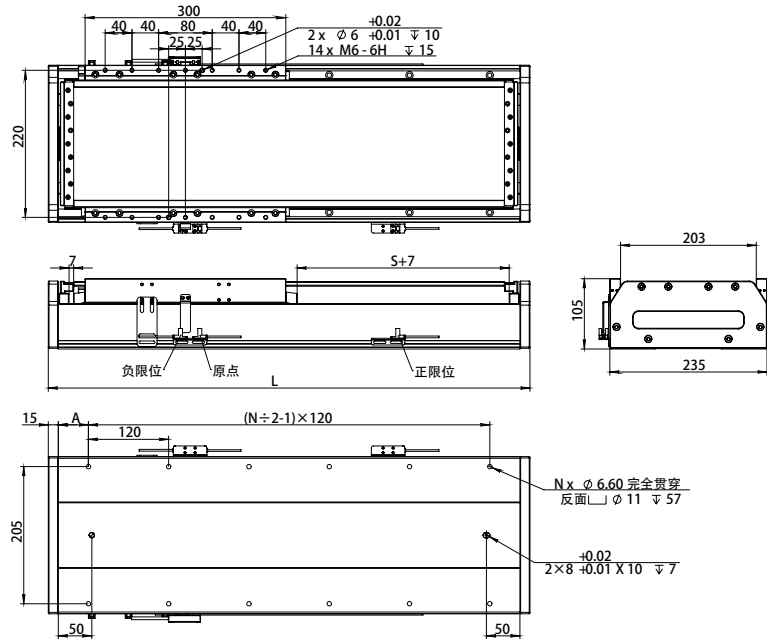
# TLM235-TICA125-3

TLM

TLM series

## TLM235-TICA125-3

Unit:mm



<b>Eff. Stroke: S</b>	10	60	110	160	210	260	310	360	410	460	510	560	610	660	710	760	810	860	910	960
<b>Mech. Stroke: S + All.</b>	24	74	124	174	224	274	324	374	424	474	524	574	624	674	724	774	824	874	924	974
<b>Total Length: L</b>	420	470	520	570	620	670	720	770	820	870	920	970	1020	1070	1120	1170	1220	1270	1320	1370
<b>No. of Holes: N</b>	6	8	8	10	10	12	12	12	14	14	16	16	16	18	18	20	20	22	22	22
<b>Hole to End: A</b>	75	40	65	30	55	20	45	70	35	60	25	50	75	40	65	30	55	20	45	70
<b>Mod. Wt. (kg)</b>	25.9	27.6	29.36	31.1	32.8	34.6	36.3	38.1	39.79	41.5	43.3	45	46.74	48.5	50.2	52	53.7	55.4	57.17	58.9
<b>Comp. Wt. (kg)</b>	11.35																			

<b>Eff. Stroke: S</b>	1010	1060	1110	1160	1210	1260	1310	1360	1410	1460	1510	1560	1610	1660	1710	1760	1810	1860	1910	1960
<b>Mech. Stroke: S + All.</b>	1024	1074	1124	1174	1224	1274	1324	1374	1424	1474	1524	1574	1624	1674	1724	1774	1824	1874	1924	1974
<b>Total Length: L</b>	1420	1470	1520	1570	1620	1670	1720	1770	1820	1870	1920	1970	2020	2070	2120	2170	2220	2270	2320	2370
<b>No. of Holes: N</b>	24	24	26	26	26	28	28	30	30	32	32	32	34	34	36	36	36	38	38	40
<b>Hole to End: A</b>	35	60	25	50	75	40	65	30	55	20	45	70	35	60	25	50	75	40	65	30
<b>Mod. Wt. (kg)</b>	60.6	62.4	64.12	65.9	67.6	69.3	71.1	72.8	74.55	76.3	78	79.8	81.50	83.2	85	86.7	88.5	90.2	91.93	93.7
<b>Comp. Wt. (kg)</b>	11.35																			

This diagram is for reference only. Actual dimensions are based on the provided 2D/3D drawings. Product style, appearance, and specifications are subject to change without prior notice.