

# MK series

Synchronous Belt type

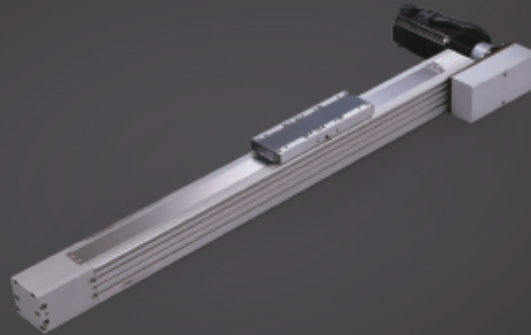


# MK65

Max.Speed  
**1833mm/s**

Max.Stroke  
**5000mm**

Motor Output  
**400w**



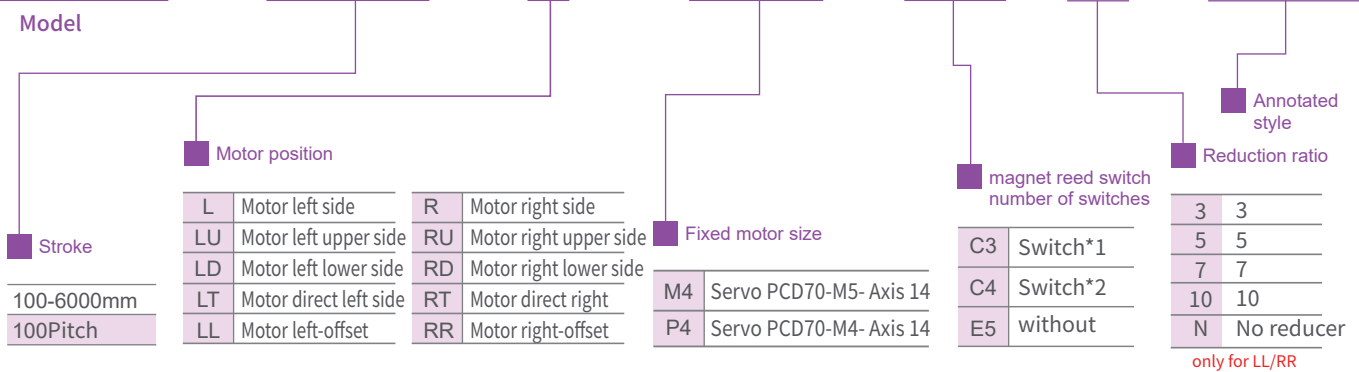
LETB series

LECB series

EGK series

MK series

## MK65 - 2000 - L - M4B - C4 - 10 - A001



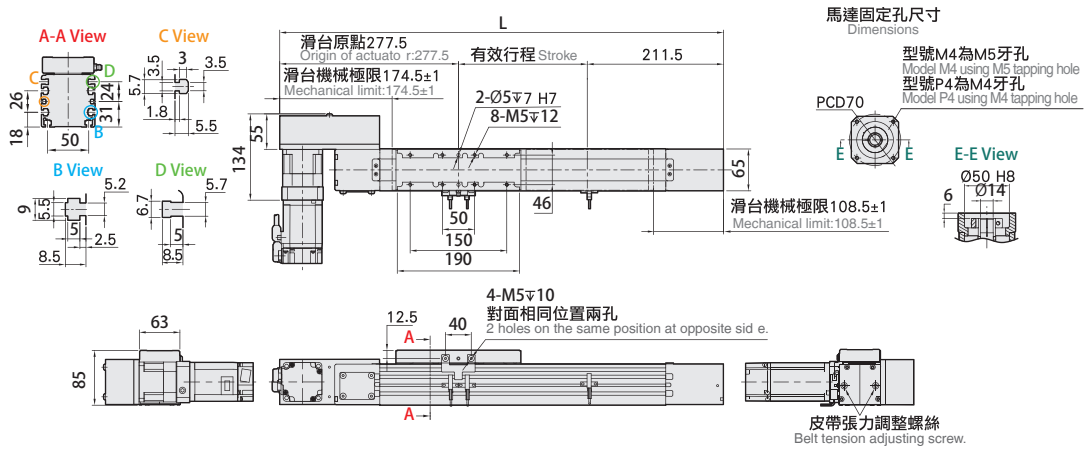
### Product parameter

Motor speed(rpm/min)	3:1	5:1	7:1	10:1	
Max. speed(mm/s)	1833	1100	785	550	
Max. load(KG)	Max. horizontal load(KG)	30	45	55	60
	Max. vertical load(KG)	9	15	16	17
Position repetition accuracy(mm)	±0.1				
Rated thrust(N)	220				
Standard stroke(mm)	100-6000mm/100mm Pitch				
AC servo motor capacity(W)	400				
Belt width(mm)	32				
High rigidity straight slide rail(mm)	W15XH12.5				
Origin inductor	Add-on	EE-SX672(NPN)			

- ※1. Set the motor acceleration/deceleration time to 0.4 seconds.
- ※2. For vertical applications, take precautions as a broken belt could result in load drops.
- ※3. When the slider operates without a reducer, the lead is 100 mm.

## Motor left side

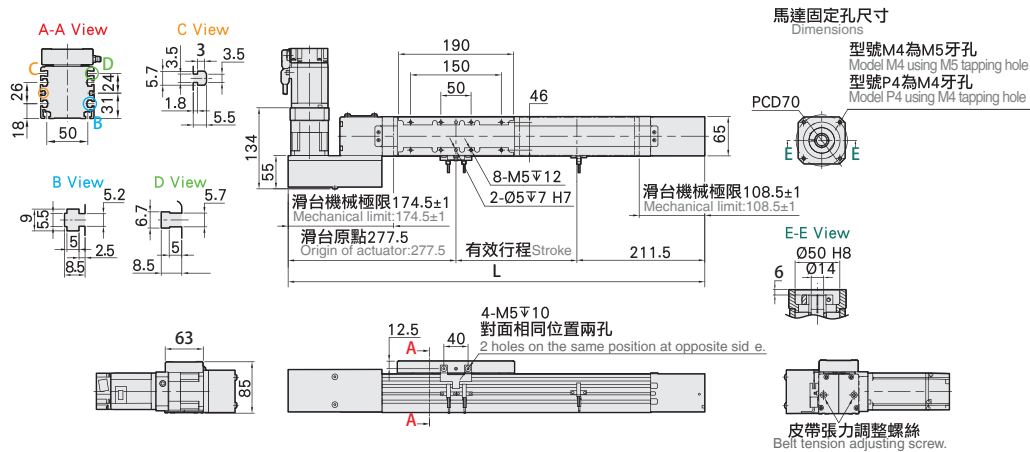
Unit:mm



有效行程 Stroke	100	200	300	400	500	600	700	800	900	1000	1100	1200	1300	1400	1500	1600	1700	1800	1900	2000	2100	2200	2300	2400	2500
L	589	689	789	889	989	1089	1189	1289	1389	1489	1589	1689	1789	1889	1989	2089	2189	2289	2389	2489	2589	2689	2789	2889	2989
KG	7.87	8.43	8.99	9.55	10.11	10.67	11.23	11.79	12.35	12.91	13.47	14.03	14.59	15.15	15.71	16.27	16.83	17.39	17.95	18.51	19.07	19.63	20.19	20.75	21.31
有效行程 Stroke	2600	2700	2800	2900	3000	3100	3200	3300	3400	3500	3600	3700	3800	3900	4000	4100	4200	4300	4400	4500	4600	4700	4800	4900	5000
L	3089	3189	3289	3389	3489	3589	3689	3789	3889	3989	4089	4189	4289	4389	4489	4589	4689	4789	4889	4989	5089	5189	5289	5389	5489
KG	21.87	22.43	22.99	23.55	24.11	24.67	25.23	25.79	26.35	26.91	27.47	28.03	28.59	29.15	29.71	30.27	30.83	31.39	31.95	32.51	33.07	33.63	34.19	34.75	35.31

## Motor right side

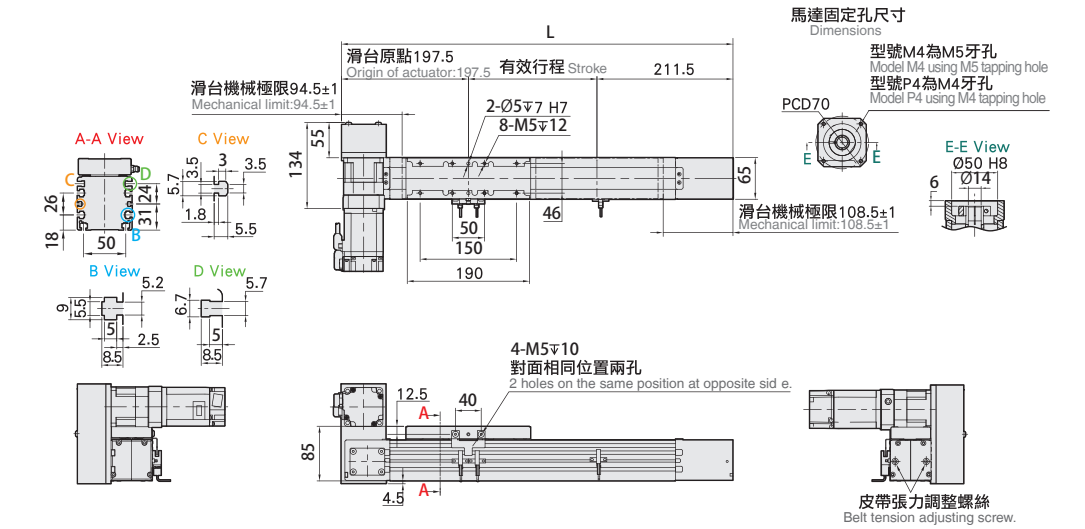
Unit:mm



有效行程 Stroke	100	200	300	400	500	600	700	800	900	1000	1100	1200	1300	1400	1500	1600	1700	1800	1900	2000	2100	2200	2300	2400	2500
L	589	689	789	889	989	1089	1189	1289	1389	1489	1589	1689	1789	1889	1989	2089	2189	2289	2389	2489	2589	2689	2789	2889	2989
KG	7.87	8.43	8.99	9.55	10.11	10.67	11.23	11.79	12.35	12.91	13.47	14.03	14.59	15.15	15.71	16.27	16.83	17.39	17.95	18.51	19.07	19.63	20.19	20.75	21.31
有效行程 Stroke	2600	2700	2800	2900	3000	3100	3200	3300	3400	3500	3600	3700	3800	3900	4000	4100	4200	4300	4400	4500	4600	4700	4800	4900	5000
L	3089	3189	3289	3389	3489	3589	3689	3789	3889	3989	4089	4189	4289	4389	4489	4589	4689	4789	4889	4989	5089	5189	5289	5389	5489
KG	21.87	22.43	22.99	23.55	24.11	24.67	25.23	25.79	26.35	26.91	27.47	28.03	28.59	29.15	29.71	30.27	30.83	31.39	31.95	32.51	33.07	33.63	34.19	34.75	35.31

## Motor left upper side

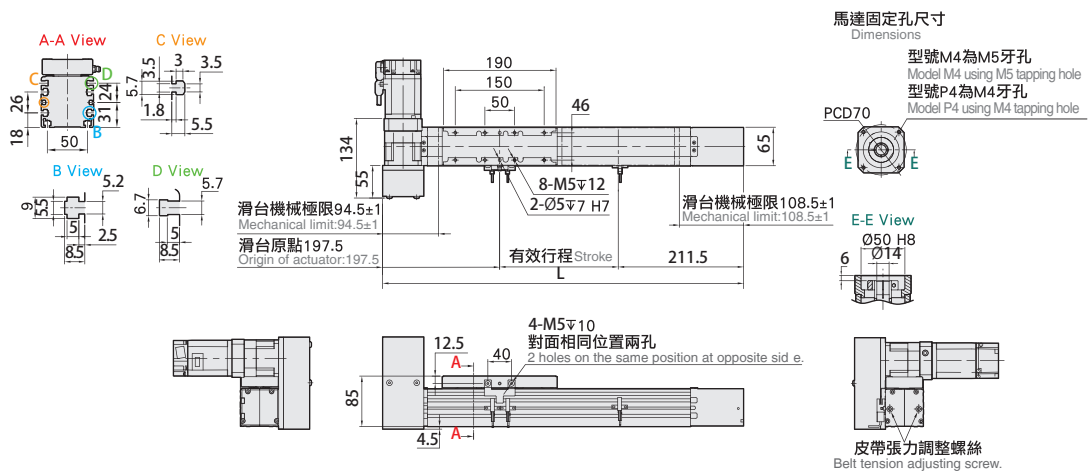
Unit:mm



有效行程 Stroke	100	200	300	400	500	600	700	800	900	1000	1100	1200	1300	1400	1500	1600	1700	1800	1900	2000	2100	2200	2300	2400	2500
L	509	609	709	809	909	1009	1109	1209	1309	1409	1509	1609	1709	1809	1909	2009	2109	2209	2309	2409	2509	2609	2709	2809	2909
KG	7.87	8.43	8.99	9.55	10.11	10.67	11.23	11.79	12.35	12.91	13.47	14.03	14.59	15.15	15.71	16.27	16.83	17.39	17.95	18.51	19.07	19.63	20.19	20.75	21.31
有效行程 Stroke	2600	2700	2800	2900	3000	3100	3200	3300	3400	3500	3600	3700	3800	3900	4000	4100	4200	4300	4400	4500	4600	4700	4800	4900	5000
L	3009	3109	3209	3309	3409	3509	3609	3709	3809	3909	4009	4109	4209	4309	4409	4509	4609	4709	4809	4909	5009	5109	5209	5309	5409
KG	21.87	22.43	22.99	23.55	24.11	24.67	25.23	25.79	26.35	26.91	27.47	28.03	28.59	29.15	29.71	30.27	30.83	31.39	31.95	32.51	33.07	33.63	34.19	34.75	35.31

## Motor right upper side

Unit:mm



有效行程 Stroke	100	200	300	400	500	600	700	800	900	1000	1100	1200	1300	1400	1500	1600	1700	1800	1900	2000	2100	2200	2300	2400	2500
L	509	609	709	809	909	1009	1109	1209	1309	1409	1509	1609	1709	1809	1909	2009	2109	2209	2309	2409	2509	2609	2709	2809	2909
KG	7.87	8.43	8.99	9.55	10.11	10.67	11.23	11.79	12.35	12.91	13.47	14.03	14.59	15.15	15.71	16.27	16.83	17.39	17.95	18.51	19.07	19.63	20.19	20.75	21.31
有效行程 Stroke	2600	2700	2800	2900	3000	3100	3200	3300	3400	3500	3600	3700	3800	3900	4000	4100	4200	4300	4400	4500	4600	4700	4800	4900	5000
L	3009	3109	3209	3309	3409	3509	3609	3709	3809	3909	4009	4109	4209	4309	4409	4509	4609	4709	4809	4909	5009	5109	5209	5309	5409
KG	21.87	22.43	22.99	23.55	24.11	24.67	25.23	25.79	26.35	26.91	27.47	28.03	28.59	29.15	29.71	30.27	30.83	31.39	31.95	32.51	33.07	33.63	34.19	34.75	35.31

LETB series

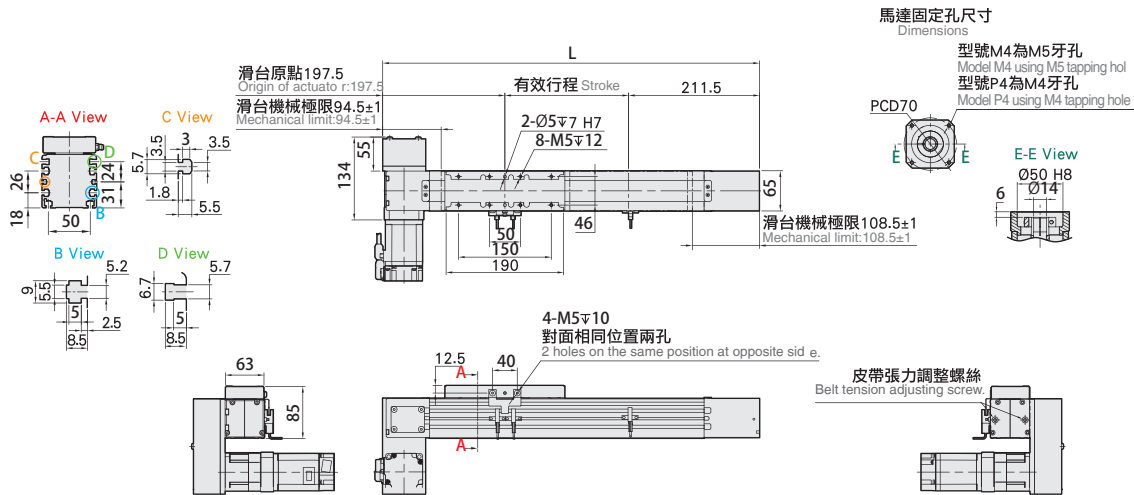
LECB series

EGK series

MK series

## Motor left lower side

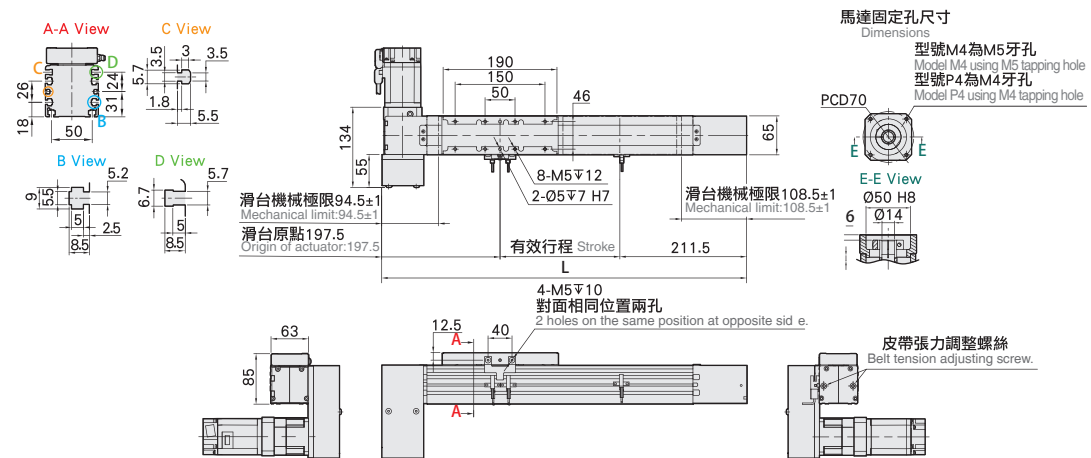
Unit:mm



有效行程 Stroke	100	200	300	400	500	600	700	800	900	1000	1100	1200	1300	1400	1500	1600	1700	1800	1900	2000	2100	2200	2300	2400	2500
L	509	609	709	809	909	1009	1109	1209	1309	1409	1509	1609	1709	1809	1909	2009	2109	2209	2309	2409	2509	2609	2709	2809	2909
KG	7.87	8.43	8.99	9.55	10.11	10.67	11.23	11.79	12.35	12.91	13.47	14.03	14.59	15.15	15.71	16.27	16.83	17.39	17.95	18.51	19.07	19.63	20.19	20.75	21.31
有效行程 Stroke	2600	2700	2800	2900	3000	3100	3200	3300	3400	3500	3600	3700	3800	3900	4000	4100	4200	4300	4400	4500	4600	4700	4800	4900	5000
L	3009	3109	3209	3309	3409	3509	3609	3709	3809	3909	4009	4109	4209	4309	4409	4509	4609	4709	4809	4909	5009	5109	5209	5309	5409
KG	21.87	22.43	22.99	23.55	24.11	24.67	25.23	25.79	26.35	26.91	27.47	28.03	28.59	29.15	29.71	30.27	30.83	31.39	31.95	32.51	33.07	33.63	34.19	34.75	35.31

## Motor right lower side

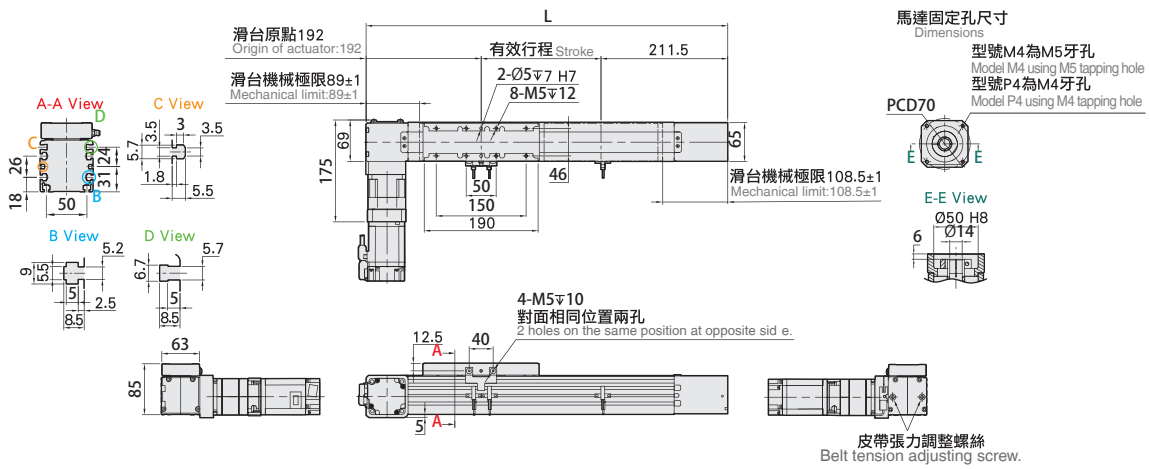
Unit:mm



有效行程 Stroke	100	200	300	400	500	600	700	800	900	1000	1100	1200	1300	1400	1500	1600	1700	1800	1900	2000	2100	2200	2300	2400	2500
L	509	609	709	809	909	1009	1109	1209	1309	1409	1509	1609	1709	1809	1909	2009	2109	2209	2309	2409	2509	2609	2709	2809	2909
KG	7.87	8.43	8.99	9.55	10.11	10.67	11.23	11.79	12.35	12.91	13.47	14.03	14.59	15.15	15.71	16.27	16.83	17.39	17.95	18.51	19.07	19.63	20.19	20.75	21.31
有效行程 Stroke	2600	2700	2800	2900	3000	3100	3200	3300	3400	3500	3600	3700	3800	3900	4000	4100	4200	4300	4400	4500	4600	4700	4800	4900	5000
L	3009	3109	3209	3309	3409	3509	3609	3709	3809	3909	4009	4109	4209	4309	4409	4509	4609	4709	4809	4909	5009	5109	5209	5309	5409
KG	21.87	22.43	22.99	23.55	24.11	24.67	25.23	25.79	26.35	26.91	27.47	28.03	28.59	29.15	29.71	30.27	30.83	31.39	31.95	32.51	33.07	33.63	34.19	34.75	35.31

## Motor direct left side

Unit:mm



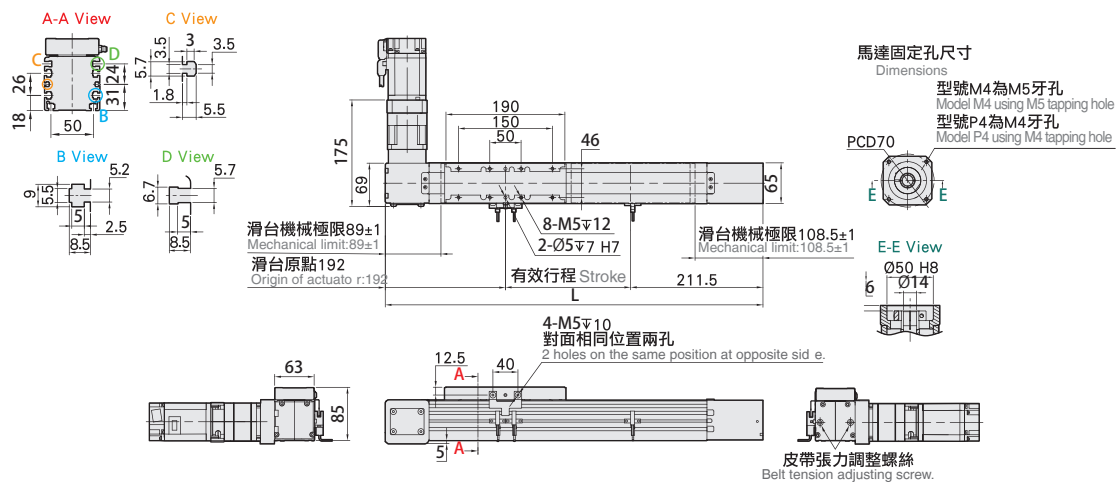
有效行程 Stroke	100	200	300	400	500	600	700	800	900	1000	1100	1200	1300	1400	1500	1600	1700	1800	1900	2000	2100	2200	2300	2400	2500
L	503.5	603.5	703.5	803.5	903.5	1003.5	1103.5	1203.5	1303.5	1403.5	1503.5	1603.5	1703.5	1803.5	1903.5	2003.5	2103.5	2203.5	2303.5	2403.5	2503.5	2603.5	2703.5	2803.5	2903.5
KG	6.87	7.39	7.91	8.43	8.95	9.47	9.99	10.51	11.03	11.55	12.07	12.59	13.11	13.63	14.15	14.67	15.19	15.71	16.23	16.75	17.27	17.79	18.31	18.83	19.35

有效行程 Stroke	2600	2700	2800	2900	3000	3100	3200	3300	3400	3500	3600	3700	3800	3900	4000	4100	4200	4300	4400	4500	4600	4700	4800	4900	5000
L	3003.5	3103.5	3203.5	3303.5	3403.5	3503.5	3603.5	3703.5	3803.5	3903.5	4003.5	4103.5	4203.5	4303.5	4403.5	4503.5	4603.5	4703.5	4803.5	4903.5	5003.5	5103.5	5203.5	5303.5	5403.5
KG	19.87	20.39	20.91	21.43	21.95	22.47	22.99	23.51	24.03	24.55	25.07	25.59	26.11	26.63	27.15	27.67	28.19	28.71	29.23	29.75	30.27	30.79	31.31	31.83	32.35

## Motor direct right

Unit:mm



有效行程 Stroke	100	200	300	400	500	600	700	800	900	1000	1100	1200	1300	1400	1500	1600	1700	1800	1900	2000	2100	2200	2300	2400	2500
L	503.5	603.5	703.5	803.5	903.5	1003.5	1103.5	1203.5	1303.5	1403.5	1503.5	1603.5	1703.5	1803.5	1903.5	2003.5	2103.5	2203.5	2303.5	2403.5	2503.5	2603.5	2703.5	2803.5	2903.5
KG	6.87	7.39	7.91	8.43	8.95	9.47	9.99	10.51	11.03	11.55	12.07	12.59	13.11	13.63	14.15	14.67	15.19	15.71	16.23	16.75	17.27	17.79	18.31	18.83	19.35

有效行程 Stroke	2600	2700	2800	2900	3000	3100	3200	3300	3400	3500	3600	3700	3800	3900	4000	4100	4200	4300	4400	4500	4600	4700	4800	4900	5000
L	3003.5	3103.5	3203.5	3303.5	3403.5	3503.5	3603.5	3703.5	3803.5	3903.5	4003.5	4103.5	4203.5	4303.5	4403.5	4503.5	4603.5	4703.5	4803.5	4903.5	5003.5	5103.5	5203.5	5303.5	5403.5
KG	19.87	20.39	20.91	21.43	21.95	22.47	22.99	23.51	24.03	24.55	25.07	25.59	26.11	26.63	27.15	27.67	28.19	28.71	29.23	29.75	30.27	30.79	31.31	31.83	32.35

LETB series

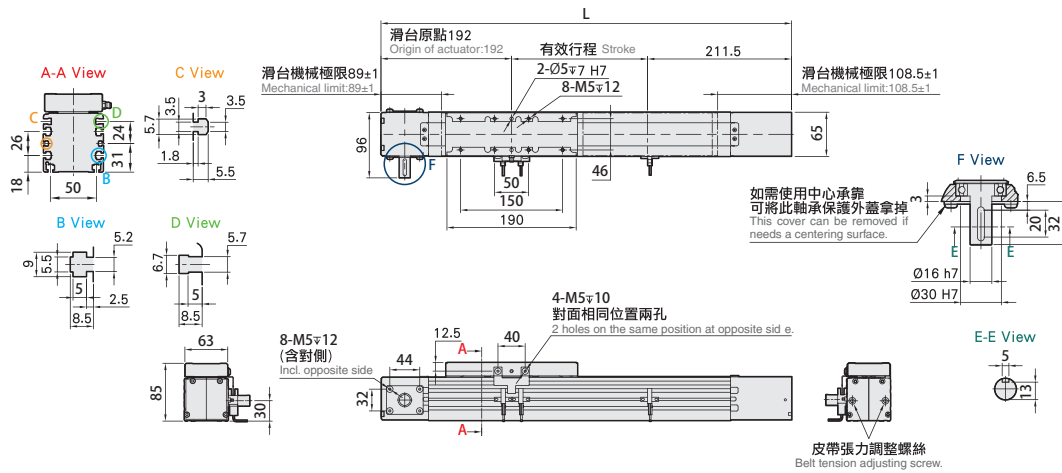
LECB series

EGK series

MK series

## Motor left-offset

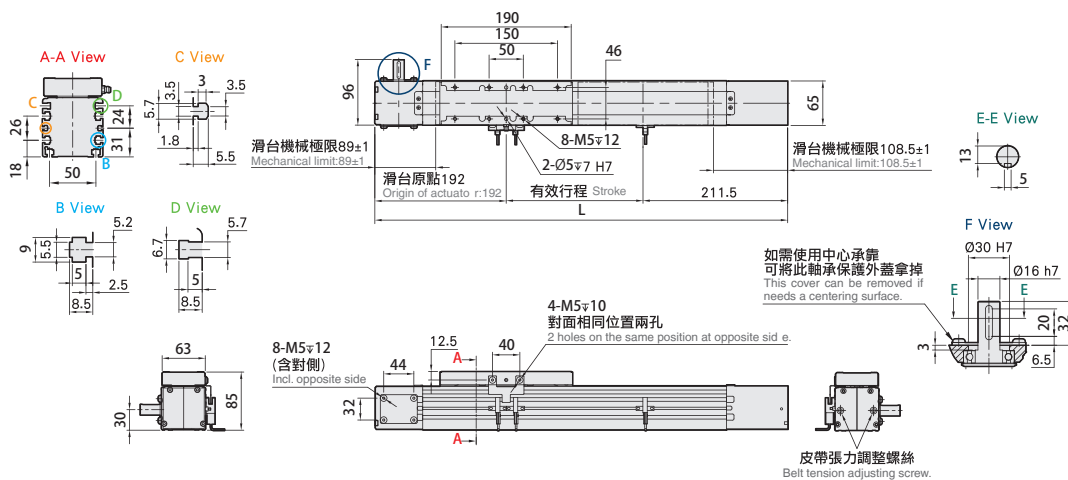
Unit:mm



有效行程 Stroke	100	200	300	400	500	600	700	800	900	1000	1100	1200	1300	1400	1500	1600	1700	1800	1900	2000	2100	2200	2300	2400	2500
L	503.5	603.5	703.5	803.5	903.5	1003.5	1103.5	1203.5	1303.5	1403.5	1503.5	1603.5	1703.5	1803.5	1903.5	2003.5	2103.5	2203.5	2303.5	2403.5	2503.5	2603.5	2703.5	2803.5	2903.5
KG	4.36	4.9	5.44	5.98	6.52	7.06	7.6	8.14	8.68	9.22	9.76	10.3	10.84	11.38	11.92	12.46	13	13.54	14.08	14.62	15.16	15.7	16.24	16.78	17.32
有效行程 Stroke	2600	2700	2800	2900	3000	3100	3200	3300	3400	3500	3600	3700	3800	3900	4000	4100	4200	4300	4400	4500	4600	4700	4800	4900	5000
L	3003.5	3103.5	3203.5	3303.5	3403.5	3503.5	3603.5	3703.5	3803.5	3903.5	4003.5	4103.5	4203.5	4303.5	4403.5	4503.5	4603.5	4703.5	4803.5	4903.5	5003.5	5103.5	5203.5	5303.5	5403.5
KG	17.86	18.4	18.94	19.48	20.02	20.56	21.1	21.64	22.18	22.72	23.26	23.8	24.34	24.88	25.42	25.96	26.5	27.04	27.58	28.12	28.66	29.2	29.74	30.28	30.82

## Motor right-offset

Unit:mm



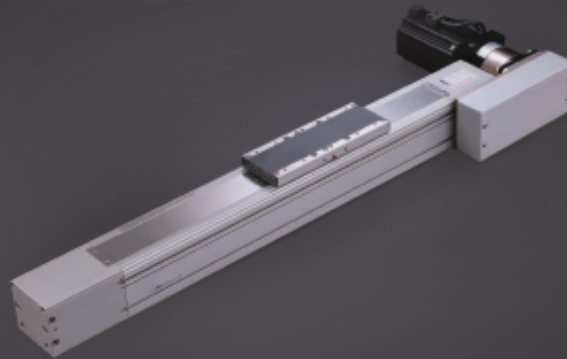
有效行程 Stroke	100	200	300	400	500	600	700	800	900	1000	1100	1200	1300	1400	1500	1600	1700	1800	1900	2000	2100	2200	2300	2400	2500
L	503.5	603.5	703.5	803.5	903.5	1003.5	1103.5	1203.5	1303.5	1403.5	1503.5	1603.5	1703.5	1803.5	1903.5	2003.5	2103.5	2203.5	2303.5	2403.5	2503.5	2603.5	2703.5	2803.5	2903.5
KG	4.36	4.9	5.44	5.98	6.52	7.06	7.6	8.14	8.68	9.22	9.76	10.3	10.84	11.38	11.92	12.46	13	13.54	14.08	14.62	15.16	15.7	16.24	16.78	17.32
有效行程 Stroke	2600	2700	2800	2900	3000	3100	3200	3300	3400	3500	3600	3700	3800	3900	4000	4100	4200	4300	4400	4500	4600	4700	4800	4900	5000
L	3003.5	3103.5	3203.5	3303.5	3403.5	3503.5	3603.5	3703.5	3803.5	3903.5	4003.5	4103.5	4203.5	4303.5	4403.5	4503.5	4603.5	4703.5	4803.5	4903.5	5003.5	5103.5	5203.5	5303.5	5403.5
KG	17.86	18.4	18.94	19.48	20.02	20.56	21.1	21.64	22.18	22.72	23.26	23.8	24.34	24.88	25.42	25.96	26.5	27.04	27.58	28.12	28.66	29.2	29.74	30.28	30.82

# MK85

Max.Speed  
**2000mm/s**

Max.Stroke  
**5000mm**

Motor Output  
**750w**



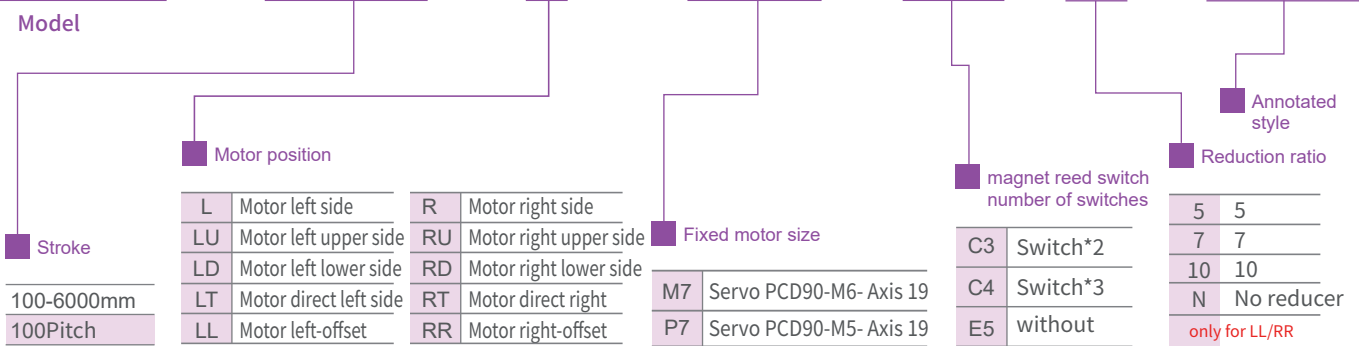
LETB series

LECB series

EGK series

MK series

## MK85 - 2000 - L - M7B - C4 - 10 - A001



### Product parameter

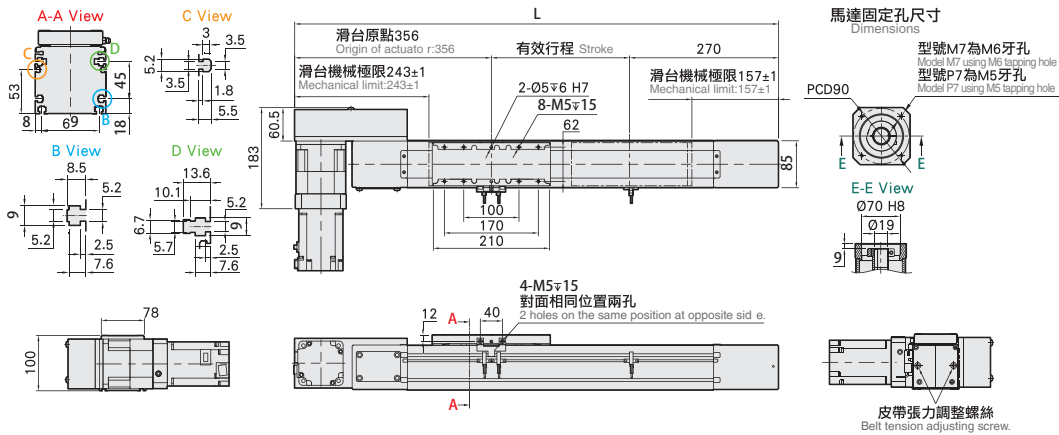
Motor speed(rpm/min)	5:1	7:1	10:1	
Max. speed(mm/s)	2000	1428	1000	
Max. load(KG)	Max. horizontal load(KG)	40	60	100
	Max. vertical load(KG)	14	21	24
Position repetition accuracy(mm)	±0.1			
Rated thrust(N)	340			
Standard stroke(mm)	100-6000mm/100mm Pitch			
AC servo motor capacity(W)	750			
Belt width(mm)	46			
High rigidity straight slide rail(mm)	W20XH15			
Origin inductor	Add-on	EE-SX672(NPN)		

- ※1. Set the motor acceleration/deceleration time to 0.4 seconds.
- ※2. For vertical applications, take precautions as a broken belt could result in load drops.
- ※3. When the slider operates without a reducer, the lead is 100 mm.



## Motor left side

Unit:mm



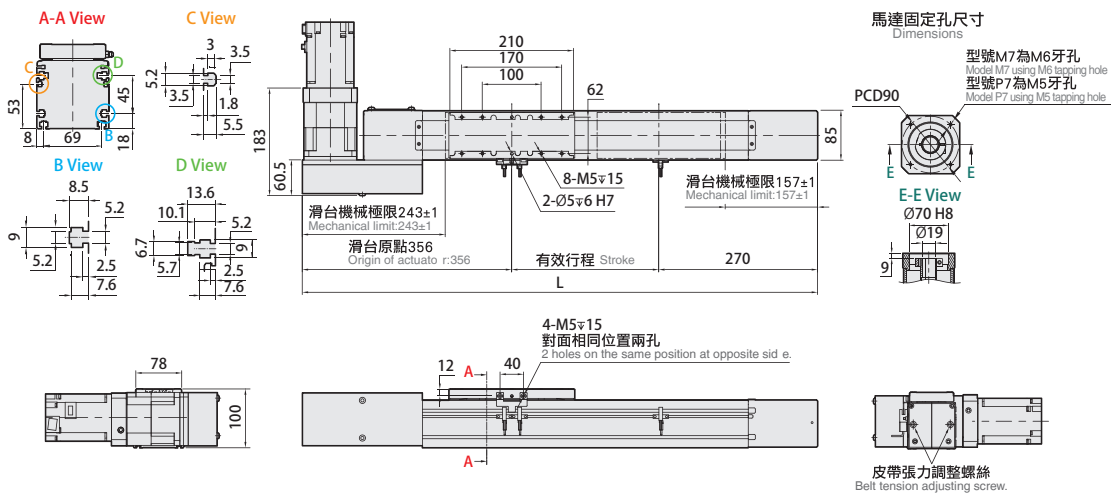
有效行程 Stroke	100	200	300	400	500	600	700	800	900	1000	1100	1200	1300	1400	1500	1600	1700	1800	1900	2000	2100	2200	2300	2400	2500
L	726	826	926	1026	1126	1226	1326	1426	1526	1626	1726	1826	1926	2026	2126	2226	2326	2426	2526	2626	2726	2826	2926	3026	3126
KG	14.81	15.65	16.49	17.33	18.17	19.01	19.85	20.69	21.53	22.37	23.21	24.05	24.89	25.73	26.57	27.41	28.25	29.09	29.93	30.77	31.61	32.45	33.29	34.13	34.97

有效行程 Stroke	2600	2700	2800	2900	3000	3100	3200	3300	3400	3500	3600	3700	3800	3900	4000	4100	4200	4300	4400	4500	4600	4700	4800	4900	5000
L	3226	3326	3456	3526	3626	3726	3826	3926	4026	4126	4226	4326	4426	4526	4626	4726	4826	4926	5026	5126	5226	5326	5426	5526	5626
KG	35.81	36.65	37.49	38.33	39.17	40.01	40.85	41.69	42.53	43.37	44.21	45.05	45.89	46.73	47.57	48.41	49.25	50.09	50.93	51.77	52.61	53.45	54.29	55.13	55.97

## Motor right side

Unit:mm



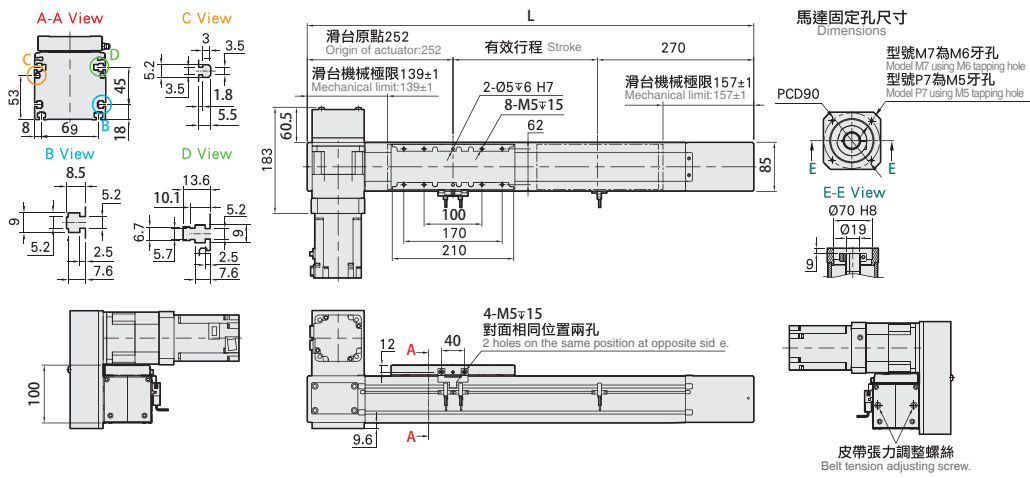
有效行程 Stroke	100	200	300	400	500	600	700	800	900	1000	1100	1200	1300	1400	1500	1600	1700	1800	1900	2000	2100	2200	2300	2400	2500
L	726	826	926	1026	1126	1226	1326	1426	1526	1626	1726	1826	1926	2026	2126	2226	2326	2426	2526	2626	2726	2826	2926	3026	3126
KG	14.81	15.65	16.49	17.33	18.17	19.01	19.85	20.69	21.53	22.37	23.21	24.05	24.89	25.73	26.57	27.41	28.25	29.09	29.93	30.77	31.61	32.45	33.29	34.13	34.97

有效行程 Stroke	2600	2700	2800	2900	3000	3100	3200	3300	3400	3500	3600	3700	3800	3900	4000	4100	4200	4300	4400	4500	4600	4700	4800	4900	5000
L	3226	3326	3456	3526	3626	3726	3826	3926	4026	4126	4226	4326	4426	4526	4626	4726	4826	4926	5026	5126	5226	5326	5426	5526	5626
KG	35.81	36.65	37.49	38.33	39.17	40.01	40.85	41.69	42.53	43.37	44.21	45.05	45.89	46.73	47.57	48.41	49.25	50.09	50.93	51.77	52.61	53.45	54.29	55.13	55.97

## Motor left upper side

Unit:mm



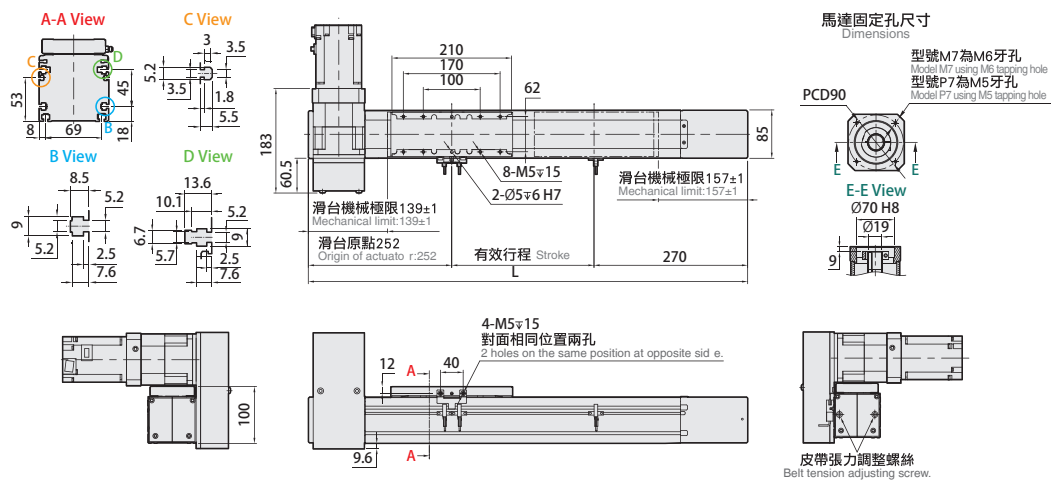
有效行程 Stroke	100	200	300	400	500	600	700	800	900	1000	1100	1200	1300	1400	1500	1600	1700	1800	1900	2000	2100	2200	2300	2400	2500
L	622	722	822	922	1022	1122	1222	1322	1422	1522	1622	1722	1822	1922	2022	2122	2222	2322	2422	2522	2622	2722	2822	2922	3022
KG	14.81	15.65	16.49	17.33	18.17	19.01	19.85	20.69	21.53	22.37	23.21	24.05	24.89	25.73	26.57	27.41	28.25	29.09	29.93	30.77	31.61	32.45	33.29	34.13	34.97

有效行程 Stroke	2600	2700	2800	2900	3000	3100	3200	3300	3400	3500	3600	3700	3800	3900	4000	4100	4200	4300	4400	4500	4600	4700	4800	4900	5000
L	3122	3222	3322	3422	3522	3622	3722	3822	3922	4022	4122	4222	4322	4422	4522	4622	4722	4822	4922	5022	5122	5222	5322	5422	5522
KG	35.81	36.65	37.49	38.33	39.17	40.01	40.85	41.69	42.53	43.37	44.21	45.05	45.89	46.73	47.57	48.41	49.25	50.09	50.93	51.77	52.61	53.45	54.29	55.13	55.97

## Motor right upper side

Unit:mm



有效行程 Stroke	100	200	300	400	500	600	700	800	900	1000	1100	1200	1300	1400	1500	1600	1700	1800	1900	2000	2100	2200	2300	2400	2500
L	622	722	822	922	1022	1122	1222	1322	1422	1522	1622	1722	1822	1922	2022	2122	2222	2322	2422	2522	2622	2722	2822	2922	3022
KG	14.81	15.65	16.49	17.33	18.17	19.01	19.85	20.69	21.53	22.37	23.21	24.05	24.89	25.73	26.57	27.41	28.25	29.09	29.93	30.77	31.61	32.45	33.29	34.13	34.97

有效行程 Stroke	2600	2700	2800	2900	3000	3100	3200	3300	3400	3500	3600	3700	3800	3900	4000	4100	4200	4300	4400	4500	4600	4700	4800	4900	5000
L	3122	3222	3322	3422	3522	3622	3722	3822	3922	4022	4122	4222	4322	4422	4522	4622	4722	4822	4922	5022	5122	5222	5322	5422	5522
KG	35.81	36.65	37.49	38.33	39.17	40.01	40.85	41.69	42.53	43.37	44.21	45.05	45.89	46.73	47.57	48.41	49.25	50.09	50.93	51.77	52.61	53.45	54.29	55.13	55.97

LETB series

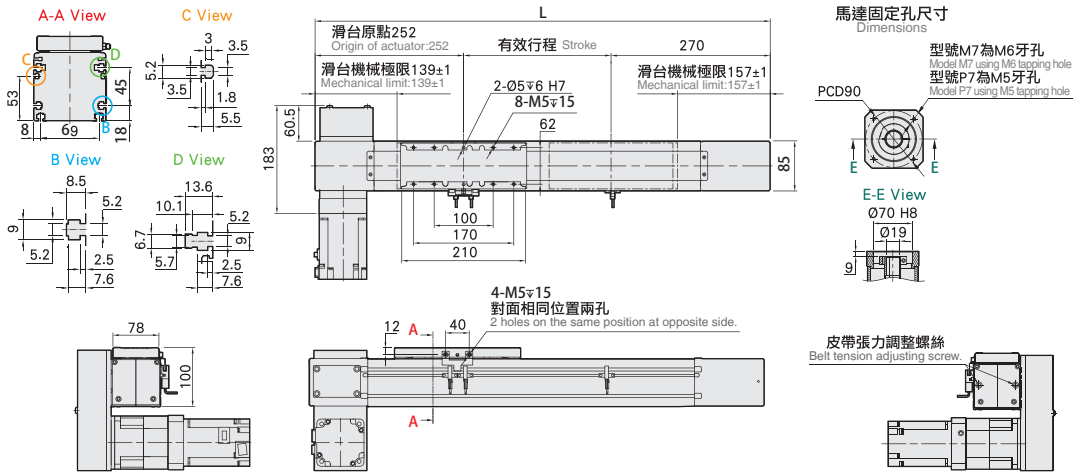
LECB series

EGK series

MK series

## Motor left lower side

Unit:mm



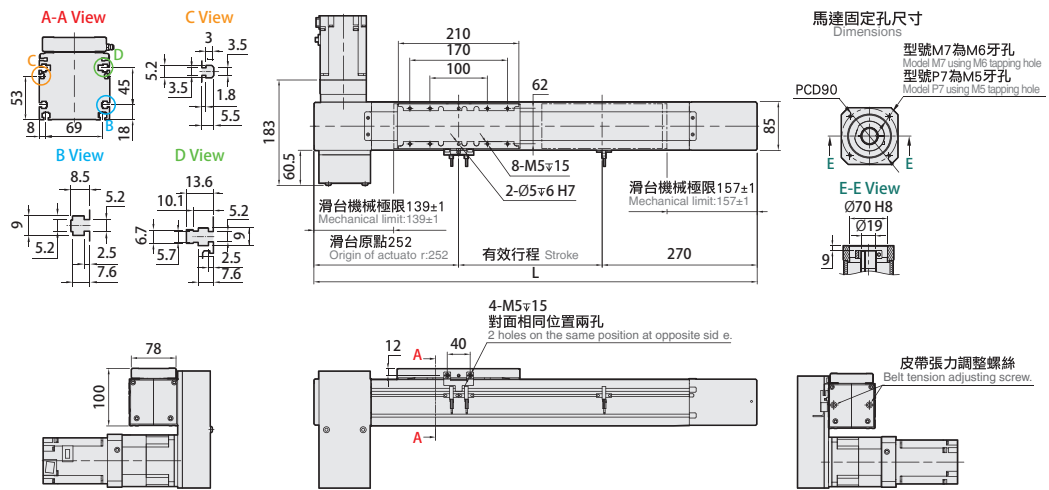
有效行程 Stroke	100	200	300	400	500	600	700	800	900	1000	1100	1200	1300	1400	1500	1600	1700	1800	1900	2000	2100	2200	2300	2400	2500
L	622	722	822	922	1022	1122	1222	1322	1422	1522	1622	1722	1822	1922	2022	2122	2222	2322	2422	2522	2622	2722	2822	2922	3022
KG	14.81	15.65	16.49	17.33	18.17	19.01	19.85	20.69	21.53	22.37	23.21	24.05	24.89	25.73	26.57	27.41	28.25	29.09	29.93	30.77	31.61	32.45	33.29	34.13	34.97

有效行程 Stroke	2600	2700	2800	2900	3000	3100	3200	3300	3400	3500	3600	3700	3800	3900	4000	4100	4200	4300	4400	4500	4600	4700	4800	4900	5000
L	3122	3222	3322	3422	3522	3622	3722	3822	3922	4022	4122	4222	4322	4422	4522	4622	4722	4822	4922	5022	5122	5222	5322	5422	5522
KG	35.81	36.65	37.49	38.33	39.17	40.01	40.85	41.69	42.53	43.37	44.21	45.05	45.89	46.73	47.57	48.41	49.25	50.09	50.93	51.77	52.61	53.45	54.29	55.13	55.97

## Motor right lower side

Unit:mm



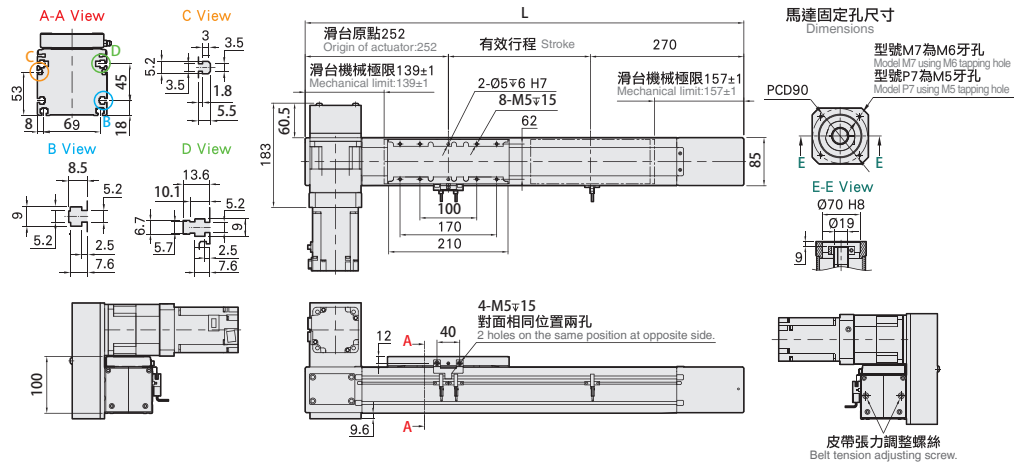
有效行程 Stroke	100	200	300	400	500	600	700	800	900	1000	1100	1200	1300	1400	1500	1600	1700	1800	1900	2000	2100	2200	2300	2400	2500
L	622	722	822	922	1022	1122	1222	1322	1422	1522	1622	1722	1822	1922	2022	2122	2222	2322	2422	2522	2622	2722	2822	2922	3022
KG	14.81	15.65	16.49	17.33	18.17	19.01	19.85	20.69	21.53	22.37	23.21	24.05	24.89	25.73	26.57	27.41	28.25	29.09	29.93	30.77	31.61	32.45	33.29	34.13	34.97

有效行程 Stroke	2600	2700	2800	2900	3000	3100	3200	3300	3400	3500	3600	3700	3800	3900	4000	4100	4200	4300	4400	4500	4600	4700	4800	4900	5000
L	3122	3222	3322	3422	3522	3622	3722	3822	3922	4022	4122	4222	4322	4422	4522	4622	4722	4822	4922	5022	5122	5222	5322	5422	5522
KG	35.81	36.65	37.49	38.33	39.17	40.01	40.85	41.69	42.53	43.37	44.21	45.05	45.89	46.73	47.57	48.41	49.25	50.09	50.93	51.77	52.61	53.45	54.29	55.13	55.97

## Motor direct left side

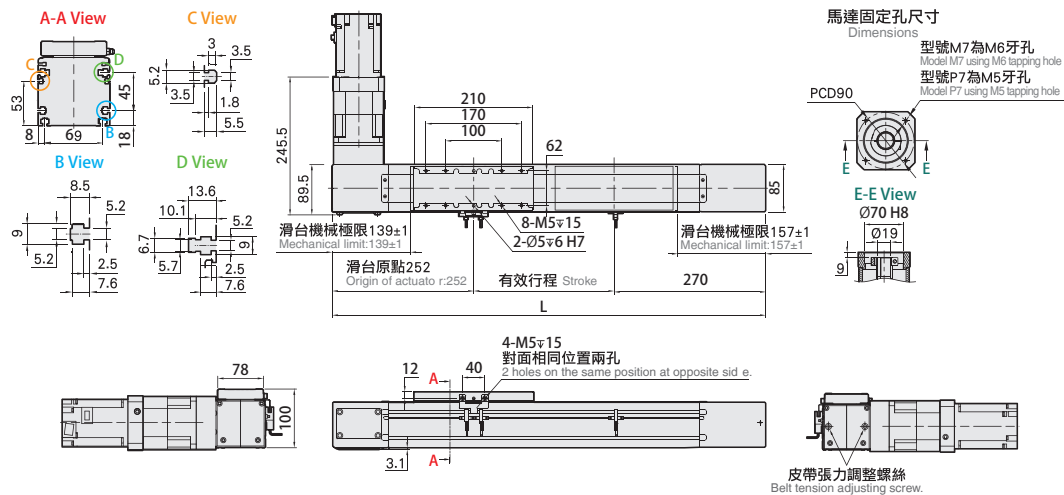
Unit:mm



有效行程 Stroke	100	200	300	400	500	600	700	800	900	1000	1100	1200	1300	1400	1500	1600	1700	1800	1900	2000	2100	2200	2300	2400	2500
L	622	722	822	922	1022	1122	1222	1322	1422	1522	1622	1722	1822	1922	2022	2122	2222	2322	2422	2522	2622	2722	2822	2922	3022
KG	13.06	13.88	14.7	15.52	16.34	17.16	17.98	18.8	19.62	20.44	21.26	22.08	22.9	23.72	24.54	25.36	26.18	27	27.82	28.64	29.46	30.28	31.1	31.92	32.7
有效行程 Stroke	2600	2700	2800	2900	3000	3100	3200	3300	3400	3500	3600	3700	3800	3900	4000	4100	4200	4300	4400	4500	4600	4700	4800	4900	5000
L	3122	3222	3322	3422	3522	3622	3722	3822	3922	4022	4122	4222	4322	4422	4522	4622	4722	4822	4922	5022	5122	5222	5322	5422	5522
KG	33.56	34.38	35.2	36.02	36.84	37.66	38.48	39.3	40.12	40.94	41.76	42.58	43.4	44.22	45.04	45.86	46.68	47.5	48.32	49.14	49.96	50.78	51.6	52.42	53.24

## Motor direct right

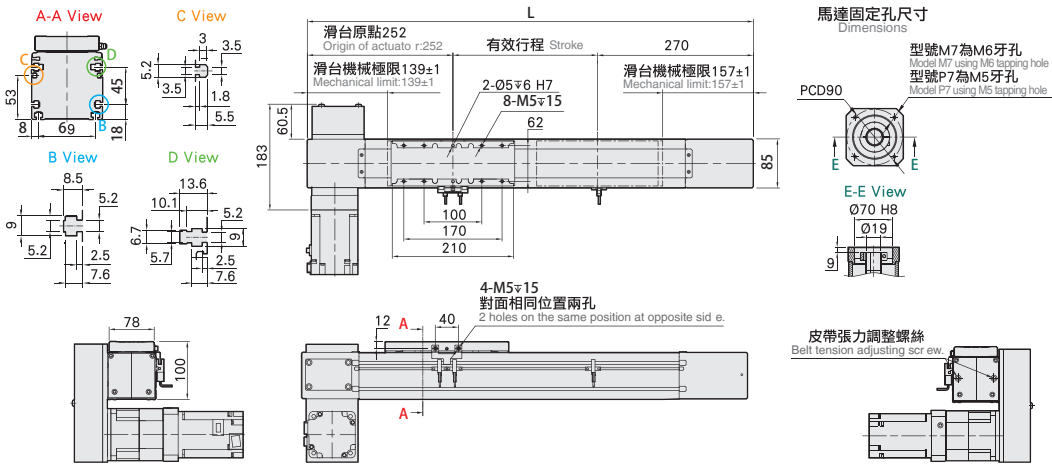
Unit:mm



有效行程 Stroke	100	200	300	400	500	600	700	800	900	1000	1100	1200	1300	1400	1500	1600	1700	1800	1900	2000	2100	2200	2300	2400	2500
L	622	722	822	922	1022	1122	1222	1322	1422	1522	1622	1722	1822	1922	2022	2122	2222	2322	2422	2522	2622	2722	2822	2922	3022
KG	13.06	13.88	14.7	15.52	16.34	17.16	17.98	18.8	19.62	20.44	21.26	22.08	22.9	23.72	24.54	25.36	26.18	27	27.82	28.64	29.46	30.28	31.1	31.92	32.7
有效行程 Stroke	2600	2700	2800	2900	3000	3100	3200	3300	3400	3500	3600	3700	3800	3900	4000	4100	4200	4300	4400	4500	4600	4700	4800	4900	5000
L	3122	3222	3322	3422	3522	3622	3722	3822	3922	4022	4122	4222	4322	4422	4522	4622	4722	4822	4922	5022	5122	5222	5322	5422	5522
KG	33.56	34.38	35.2	36.02	36.84	37.66	38.48	39.3	40.12	40.94	41.76	42.58	43.4	44.22	45.04	45.86	46.68	47.5	48.32	49.14	49.96	50.78	51.6	52.42	53.24

# Motor left-offset

Unit:mm



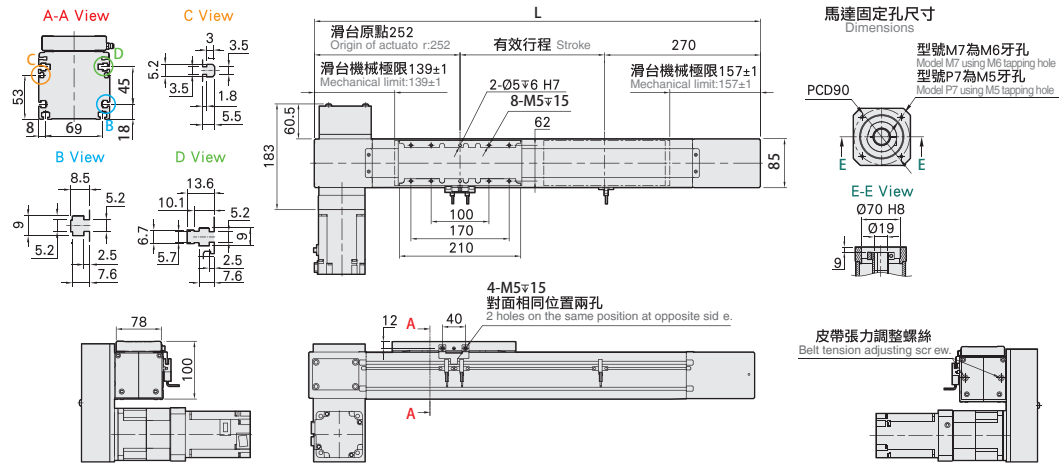
有效行程 Stroke	100	200	300	400	500	600	700	800	900	1000	1100	1200	1300	1400	1500	1600	1700	1800	1900	2000	2100	2200	2300	2400	2500
L	622	722	822	922	1022	1122	1222	1322	1422	1522	1622	1722	1822	1922	2022	2122	2222	2322	2422	2522	2622	2722	2822	2922	3022
KG	10.55	11.37	12.19	13.01	13.83	14.65	15.47	16.29	17.11	17.93	18.75	19.57	20.39	21.21	22.03	22.85	23.67	24.49	25.31	26.13	26.95	27.77	28.59	29.41	30.23

有效行程 Stroke	2600	2700	2800	2900	3000	3100	3200	3300	3400	3500	3600	3700	3800	3900	4000	4100	4200	4300	4400	4500	4600	4700	4800	4900	5000
L	3122	3222	3322	3422	3522	3622	3722	3822	3922	4022	4122	4222	4322	4422	4522	4622	4722	4822	4922	5022	5122	5222	5322	5422	5522
KG	31.05	31.87	32.69	33.51	34.33	35.15	35.97	36.79	37.61	38.43	39.25	40.07	40.89	41.71	42.53	43.35	44.17	44.99	45.81	46.63	47.45	48.27	49.09	49.91	50.73

# Motor right-offset

Unit:mm



有效行程 Stroke	100	200	300	400	500	600	700	800	900	1000	1100	1200	1300	1400	1500	1600	1700	1800	1900	2000	2100	2200	2300	2400	2500
L	622	722	822	922	1022	1122	1222	1322	1422	1522	1622	1722	1822	1922	2022	2122	2222	2322	2422	2522	2622	2722	2822	2922	3022
KG	10.55	11.37	12.19	13.01	13.83	14.65	15.47	16.29	17.11	17.93	18.75	19.57	20.39	21.21	22.03	22.85	23.67	24.49	25.31	26.13	26.95	27.77	28.59	29.41	30.23

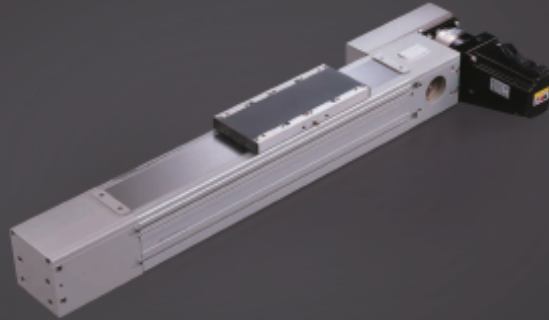
有效行程 Stroke	2600	2700	2800	2900	3000	3100	3200	3300	3400	3500	3600	3700	3800	3900	4000	4100	4200	4300	4400	4500	4600	4700	4800	4900	5000
L	3122	3222	3322	3422	3522	3622	3722	3822	3922	4022	4122	4222	4322	4422	4522	4622	4722	4822	4922	5022	5122	5222	5322	5422	5522
KG	31.05	31.87	32.69	33.51	34.33	35.15	35.97	36.79	37.61	38.43	39.25	40.07	40.89	41.71	42.53	43.35	44.17	44.99	45.81	46.63	47.45	48.27	49.09	49.91	50.73

# MK110

Max.Speed  
**1250mm/s**

Max.Stroke  
**4800mm**

Motor Output  
**750w**



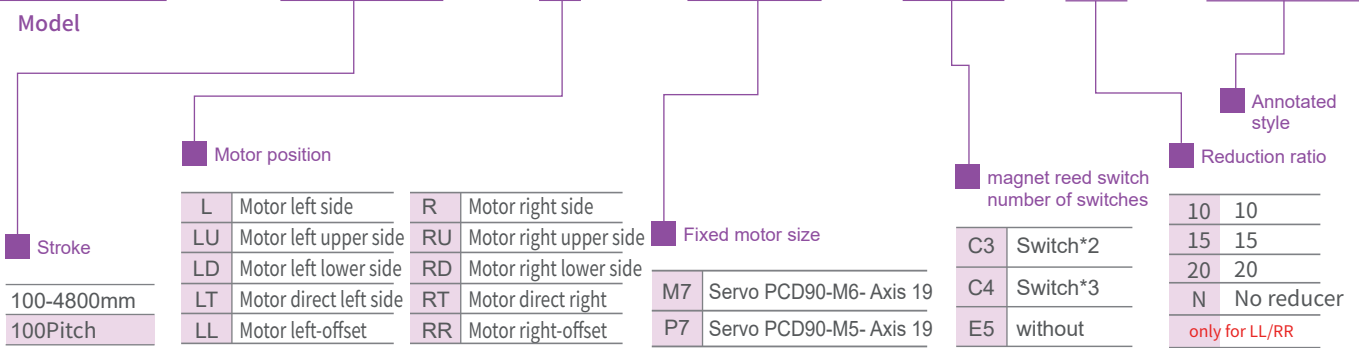
LETB series

LECB series

EGK series

MK series

## MK110 - 2000 - L - M7B - C4 - 10 - A001



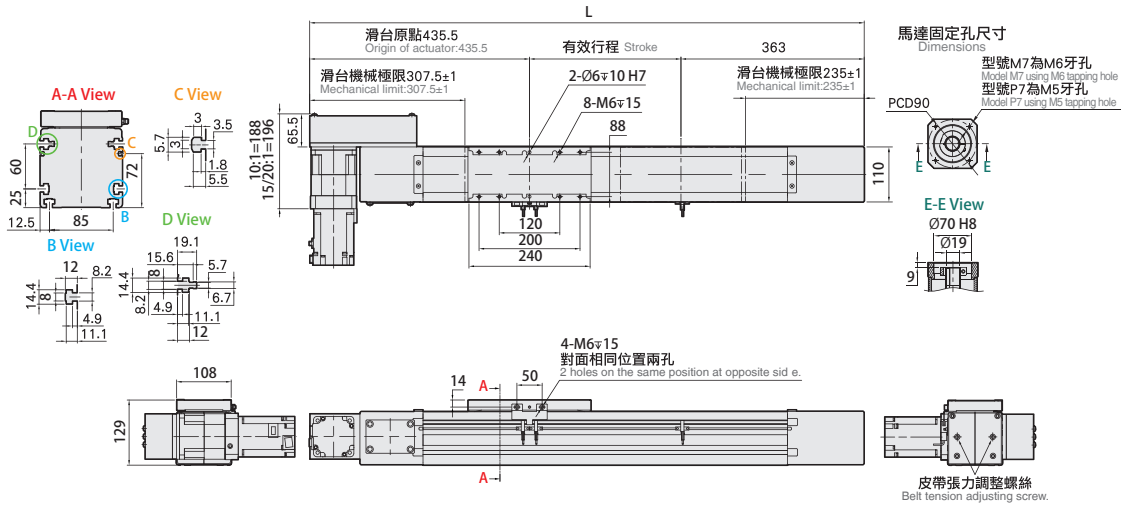
### Product parameter

Motor speed(rpm/min)	10:1	15:1	20:1	
Max. speed(mm/s)	1250	833	625	
Max. oad(KG)	Max. horizontal load(KG)	100	150	200
	Max. vertical load(KG)	23	36	50
Position repetition accuracy(mm)	±0.1			
Rated thrust(N)	765			
Standard stroke(mm)	100-4800mm/100mm Pitch			
AC servo motor capacity(W)	750			
Belt width(mm)	50			
High rigidity straight slide rail(mm)	W23XH18			
Origin inductor	Add-on	EE-SX672(NPN)		

- ※1. Set the motor acceleration/deceleration time to 0.4 seconds.
- ※2. For vertical applications, take precautions as a broken belt could result in load drops.
- ※3. When the slider operates without a reducer, the lead is 100 mm.

## Motor left side

Unit:mm



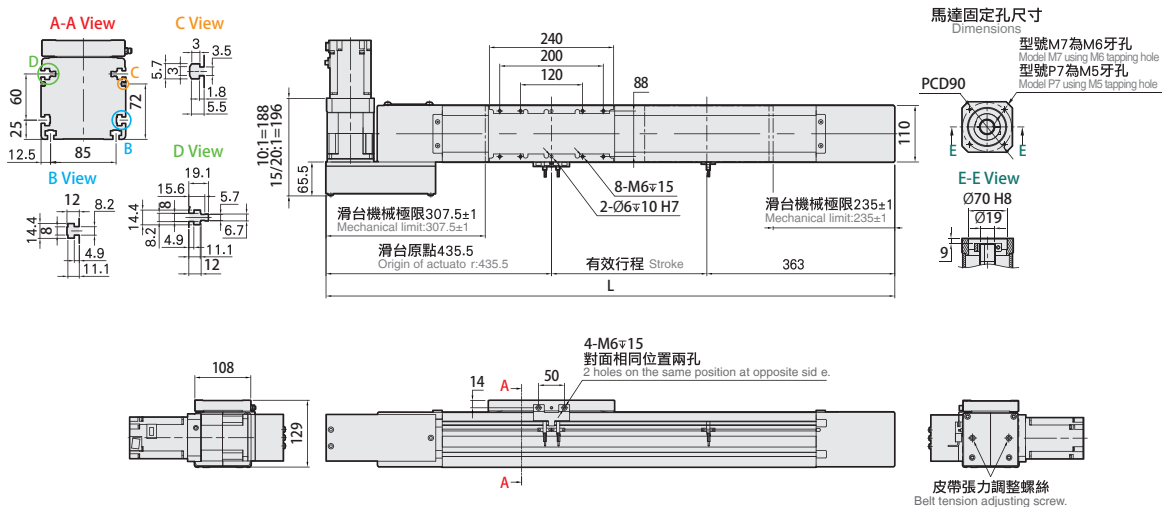
有效行程 Stroke	100	200	300	400	500	600	700	800	900	1000	1100	1200	1300	1400	1500	1600	1700	1800	1900	2000	2100	2200	2300	2400
L	898.5	998.5	1098.5	1198.5	1298.5	1398.5	1498.5	1598.5	1698.5	1798.5	1898.5	1998.5	2098.5	2198.5	2298.5	2398.5	2498.5	2598.5	2698.5	2798.5	2898.5	2998.5	3098.5	3198.5
KG	24.09	25.33	26.57	27.81	29.05	30.29	31.53	32.77	34.01	35.25	36.49	37.73	38.97	40.21	41.45	42.69	43.93	45.17	46.41	47.65	48.89	50.13	51.37	52.61

有效行程 Stroke	2500	2600	2700	2800	2900	3000	3100	3200	3300	3400	3500	3600	3700	3800	3900	4000	4100	4200	4300	4400	4500	4600	4700	4800
L	3298.5	3398.5	3498.5	3598.5	3698.5	3798.5	3898.5	3998.5	4098.5	4198.5	4298.5	4398.5	4498.5	4598.5	4698.5	4798.5	4898.5	4998.5	5098.5	5198.5	5298.5	5398.5	5498.5	5598.5
KG	53.85	55.09	56.33	57.57	58.81	60.05	61.29	62.53	63.77	65.01	66.25	67.49	68.73	69.97	71.21	72.45	73.69	74.93	76.17	77.41	78.65	79.89	81.13	82.37

## Motor right side

Unit:mm



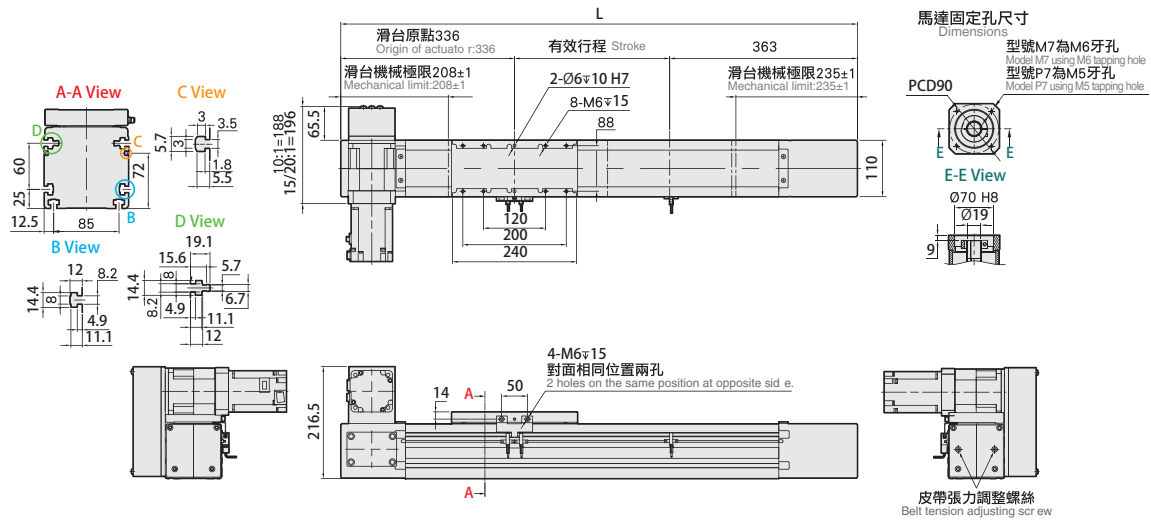
有效行程 Stroke	100	200	300	400	500	600	700	800	900	1000	1100	1200	1300	1400	1500	1600	1700	1800	1900	2000	2100	2200	2300	2400
L	898.5	998.5	1098.5	1198.5	1298.5	1398.5	1498.5	1598.5	1698.5	1798.5	1898.5	1998.5	2098.5	2198.5	2298.5	2398.5	2498.5	2598.5	2698.5	2798.5	2898.5	2998.5	3098.5	3198.5
KG	24.09	25.33	26.57	27.81	29.05	30.29	31.53	32.77	34.01	35.25	36.49	37.73	38.97	40.21	41.45	42.69	43.93	45.17	46.41	47.65	48.89	50.13	51.37	52.61

有效行程 Stroke	2500	2600	2700	2800	2900	3000	3100	3200	3300	3400	3500	3600	3700	3800	3900	4000	4100	4200	4300	4400	4500	4600	4700	4800
L	3298.5	3398.5	3498.5	3598.5	3698.5	3798.5	3898.5	3998.5	4098.5	4198.5	4298.5	4398.5	4498.5	4598.5	4698.5	4798.5	4898.5	4998.5	5098.5	5198.5	5298.5	5398.5	5498.5	5598.5
KG	53.85	55.09	56.33	57.57	58.81	60.05	61.29	62.53	63.77	65.01	66.25	67.49	68.73	69.97	71.21	72.45	73.69	74.93	76.17	77.41	78.65	79.89	81.13	82.37

## Motor left upper side

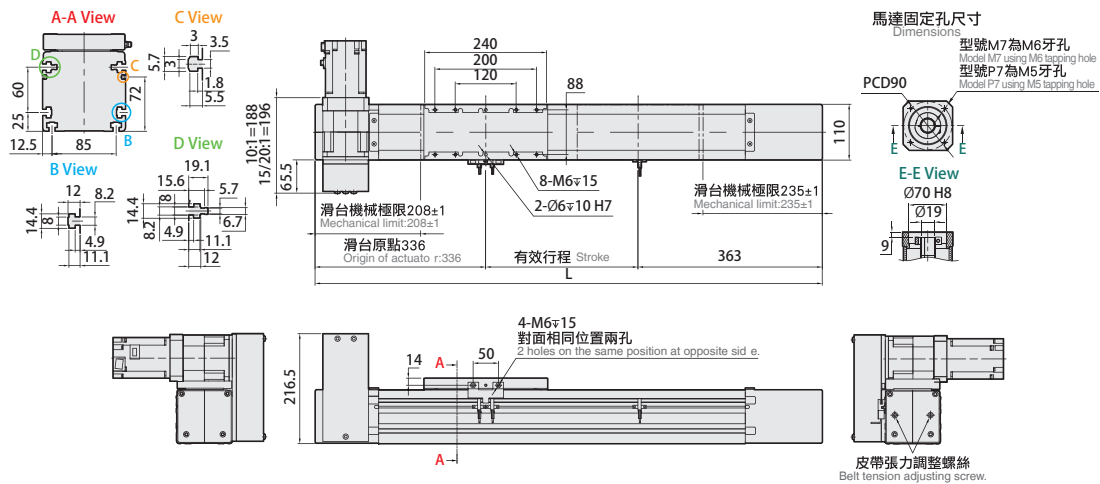
Unit:mm



有效行程 Stroke	100	200	300	400	500	600	700	800	900	1000	1100	1200	1300	1400	1500	1600	1700	1800	1900	2000	2100	2200	2300	2400
L	799	899	999	1099	1199	1299	1399	1499	1599	1699	1799	1899	1999	2099	2199	2299	2399	2499	2599	2699	2799	2899	2999	3099
KG	24.09	25.33	26.57	27.81	29.05	30.29	31.53	32.77	34.01	35.25	36.49	37.73	38.97	40.21	41.45	42.69	43.93	45.17	46.41	47.65	48.89	50.13	51.37	52.61
有效行程 Stroke	2500	2600	2700	2800	2900	3000	3100	3200	3300	3400	3500	3600	3700	3800	3900	4000	4100	4200	4300	4400	4500	4600	4700	4800
L	3199	3299	3399	3499	3599	3699	3799	3899	3999	4099	4199	4299	4399	4499	4599	4699	4799	4899	4999	5099	5199	5299	5399	5499
KG	53.85	55.09	56.33	57.57	58.81	60.05	61.29	62.53	63.77	65.01	66.25	67.49	68.73	69.97	71.21	72.45	73.69	74.93	76.17	77.41	78.65	79.89	81.13	82.37

## Motor right upper side

Unit:mm



有效行程 Stroke	100	200	300	400	500	600	700	800	900	1000	1100	1200	1300	1400	1500	1600	1700	1800	1900	2000	2100	2200	2300	2400
L	799	899	999	1099	1199	1299	1399	1499	1599	1699	1799	1899	1999	2099	2199	2299	2399	2499	2599	2699	2799	2899	2999	3099
KG	24.09	25.33	26.57	27.81	29.05	30.29	31.53	32.77	34.01	35.25	36.49	37.73	38.97	40.21	41.45	42.69	43.93	45.17	46.41	47.65	48.89	50.13	51.37	52.61
有效行程 Stroke	2500	2600	2700	2800	2900	3000	3100	3200	3300	3400	3500	3600	3700	3800	3900	4000	4100	4200	4300	4400	4500	4600	4700	4800
L	3199	3299	3399	3499	3599	3699	3799	3899	3999	4099	4199	4299	4399	4499	4599	4699	4799	4899	4999	5099	5199	5299	5399	5499
KG	53.85	55.09	56.33	57.57	58.81	60.05	61.29	62.53	63.77	65.01	66.25	67.49	68.73	69.97	71.21	72.45	73.69	74.93	76.17	77.41	78.65	79.89	81.13	82.37

LETB series

LECB series

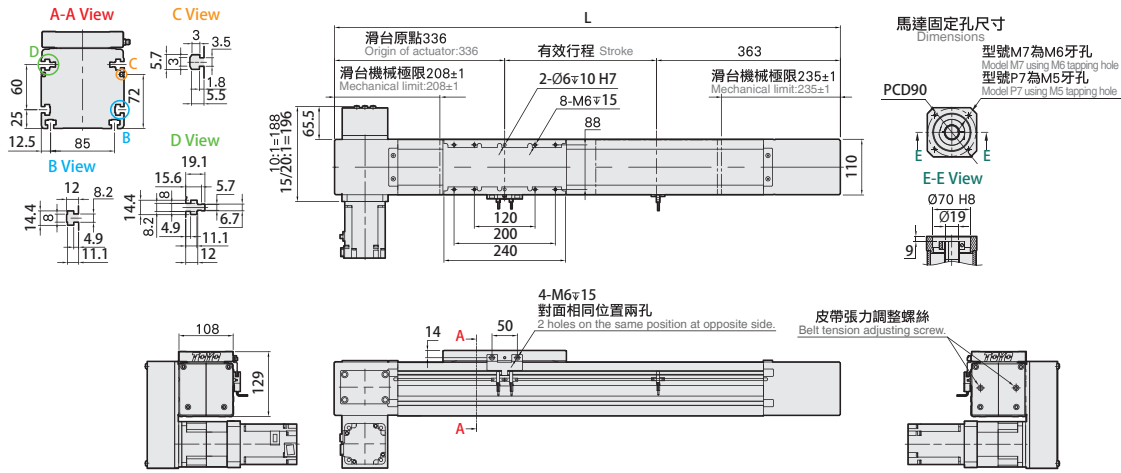
EGK series

MK series



# Motor left lower side

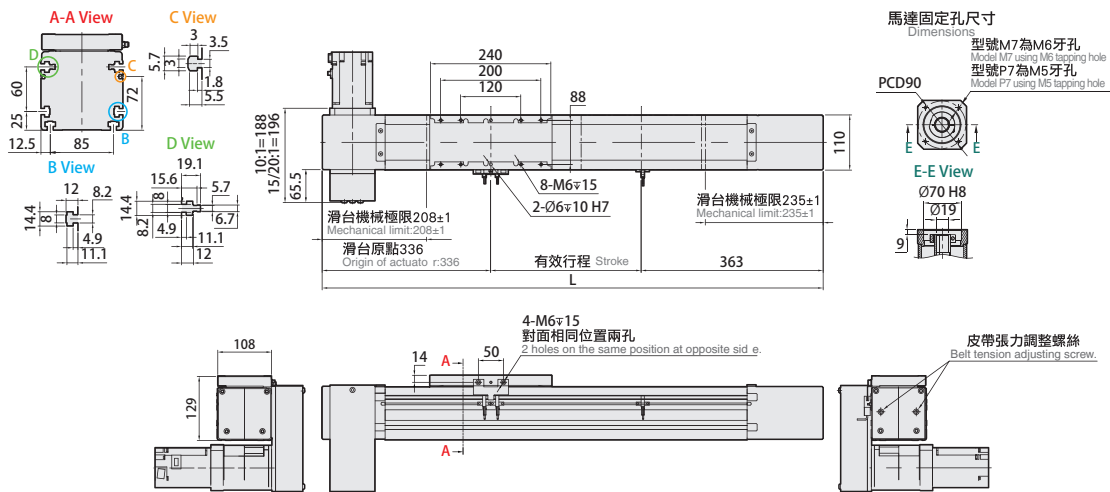
Unit:mm



有效行程 Stroke	100	200	300	400	500	600	700	800	900	1000	1100	1200	1300	1400	1500	1600	1700	1800	1900	2000	2100	2200	2300	2400
L	799	899	999	1099	1199	1299	1399	1499	1599	1699	1799	1899	1999	2099	2199	2299	2399	2499	2599	2699	2799	2899	2999	3099
KG	24.09	25.33	26.57	27.81	29.05	30.29	31.53	32.77	34.01	35.25	36.49	37.73	38.97	40.21	41.45	42.69	43.93	45.17	46.41	47.65	48.89	50.13	51.37	52.61
有效行程 Stroke	2500	2600	2700	2800	2900	3000	3100	3200	3300	3400	3500	3600	3700	3800	3900	4000	4100	4200	4300	4400	4500	4600	4700	4800
L	3199	3299	3399	3499	3599	3699	3799	3899	3999	4099	4199	4299	4399	4499	4599	4699	4799	4899	4999	5099	5199	5299	5399	5499
KG	53.85	55.09	56.33	57.57	58.81	60.05	61.29	62.53	63.77	65.01	66.25	67.49	68.73	69.97	71.21	72.45	73.69	74.93	76.17	77.41	78.65	79.89	81.13	82.37

# Motor right lower side

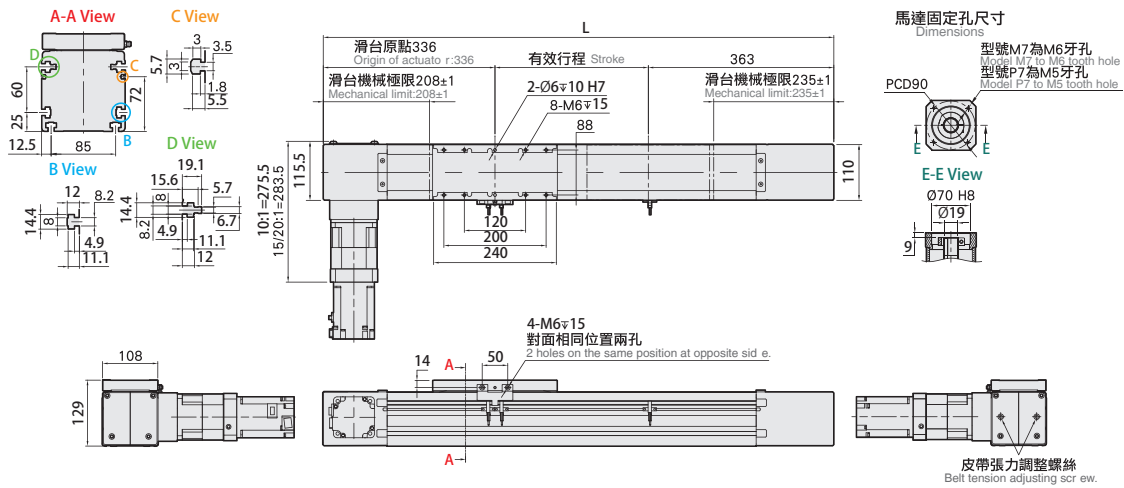
Unit:mm



有效行程 Stroke	100	200	300	400	500	600	700	800	900	1000	1100	1200	1300	1400	1500	1600	1700	1800	1900	2000	2100	2200	2300	2400
L	799	899	999	1099	1199	1299	1399	1499	1599	1699	1799	1899	1999	2099	2199	2299	2399	2499	2599	2699	2799	2899	2999	3099
KG	24.09	25.33	26.57	27.81	29.05	30.29	31.53	32.77	34.01	35.25	36.49	37.73	38.97	40.21	41.45	42.69	43.93	45.17	46.41	47.65	48.89	50.13	51.37	52.61
有效行程 Stroke	2500	2600	2700	2800	2900	3000	3100	3200	3300	3400	3500	3600	3700	3800	3900	4000	4100	4200	4300	4400	4500	4600	4700	4800
L	3199	3299	3399	3499	3599	3699	3799	3899	3999	4099	4199	4299	4399	4499	4599	4699	4799	4899	4999	5099	5199	5299	5399	5499
KG	53.85	55.09	56.33	57.57	58.81	60.05	61.29	62.53	63.77	65.01	66.25	67.49	68.73	69.97	71.21	72.45	73.69	74.93	76.17	77.41	78.65	79.89	81.13	82.37

## Motor direct left side

Unit:mm



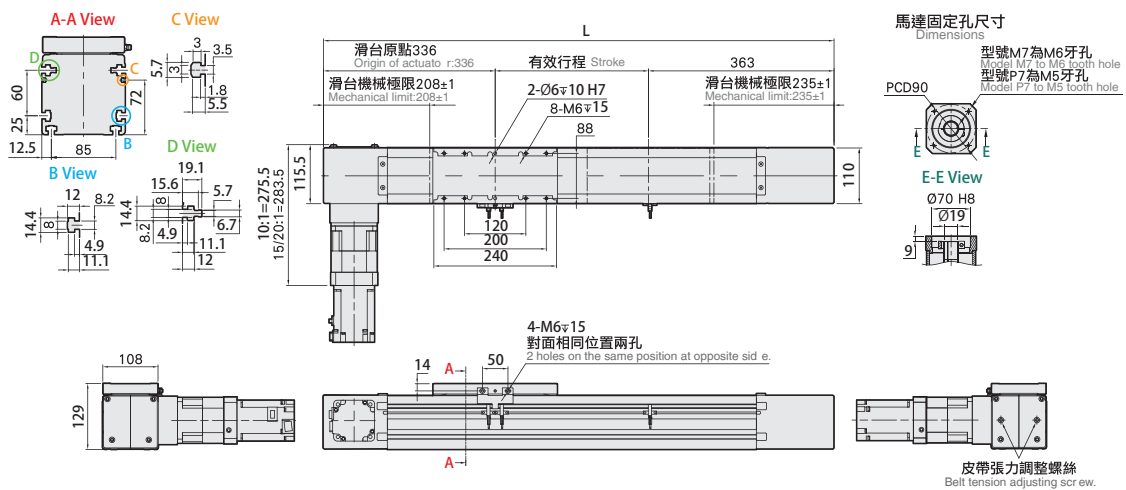
有效行程 Stroke	100	200	300	400	500	600	700	800	900	1000	1100	1200	1300	1400	1500	1600	1700	1800	1900	2000	2100	2200	2300	2400
L	799	899	999	1099	1199	1299	1399	1499	1599	1699	1799	1899	1999	2099	2199	2299	2399	2499	2599	2699	2799	2899	2999	3099
KG	21.33	22.57	23.81	25.05	26.29	27.53	28.77	30.01	31.25	32.49	33.73	34.97	36.21	37.45	38.69	39.93	41.17	42.41	43.65	44.89	46.13	47.37	48.61	49.85

有效行程 Stroke	2500	2600	2700	2800	2900	3000	3100	3200	3300	3400	3500	3600	3700	3800	3900	4000	4100	4200	4300	4400	4500	4600	4700	4800
L	3199	3299	3399	3499	3599	3699	3799	3899	3999	4099	4199	4299	4399	4499	4599	4699	4799	4899	4999	5099	5199	5299	5399	5499
KG	51.09	52.33	53.57	54.81	56.05	57.29	58.53	59.77	61.01	62.25	63.49	64.73	65.97	67.21	68.45	69.69	70.93	72.17	73.41	74.65	75.89	77.13	78.37	79.61

## Motor direct right side

Unit:mm



有效行程 Stroke	100	200	300	400	500	600	700	800	900	1000	1100	1200	1300	1400	1500	1600	1700	1800	1900	2000	2100	2200	2300	2400
L	799	899	999	1099	1199	1299	1399	1499	1599	1699	1799	1899	1999	2099	2199	2299	2399	2499	2599	2699	2799	2899	2999	3099
KG	21.33	22.57	23.81	25.05	26.29	27.53	28.77	30.01	31.25	32.49	33.73	34.97	36.21	37.45	38.69	39.93	41.17	42.41	43.65	44.89	46.13	47.37	48.61	49.85

有效行程 Stroke	2500	2600	2700	2800	2900	3000	3100	3200	3300	3400	3500	3600	3700	3800	3900	4000	4100	4200	4300	4400	4500	4600	4700	4800
L	3199	3299	3399	3499	3599	3699	3799	3899	3999	4099	4199	4299	4399	4499	4599	4699	4799	4899	4999	5099	5199	5299	5399	5499
KG	51.09	52.33	53.57	54.81	56.05	57.29	58.53	59.77	61.01	62.25	63.49	64.73	65.97	67.21	68.45	69.69	70.93	72.17	73.41	74.65	75.89	77.13	78.37	79.61

LETB

LECB

EGK

MK

