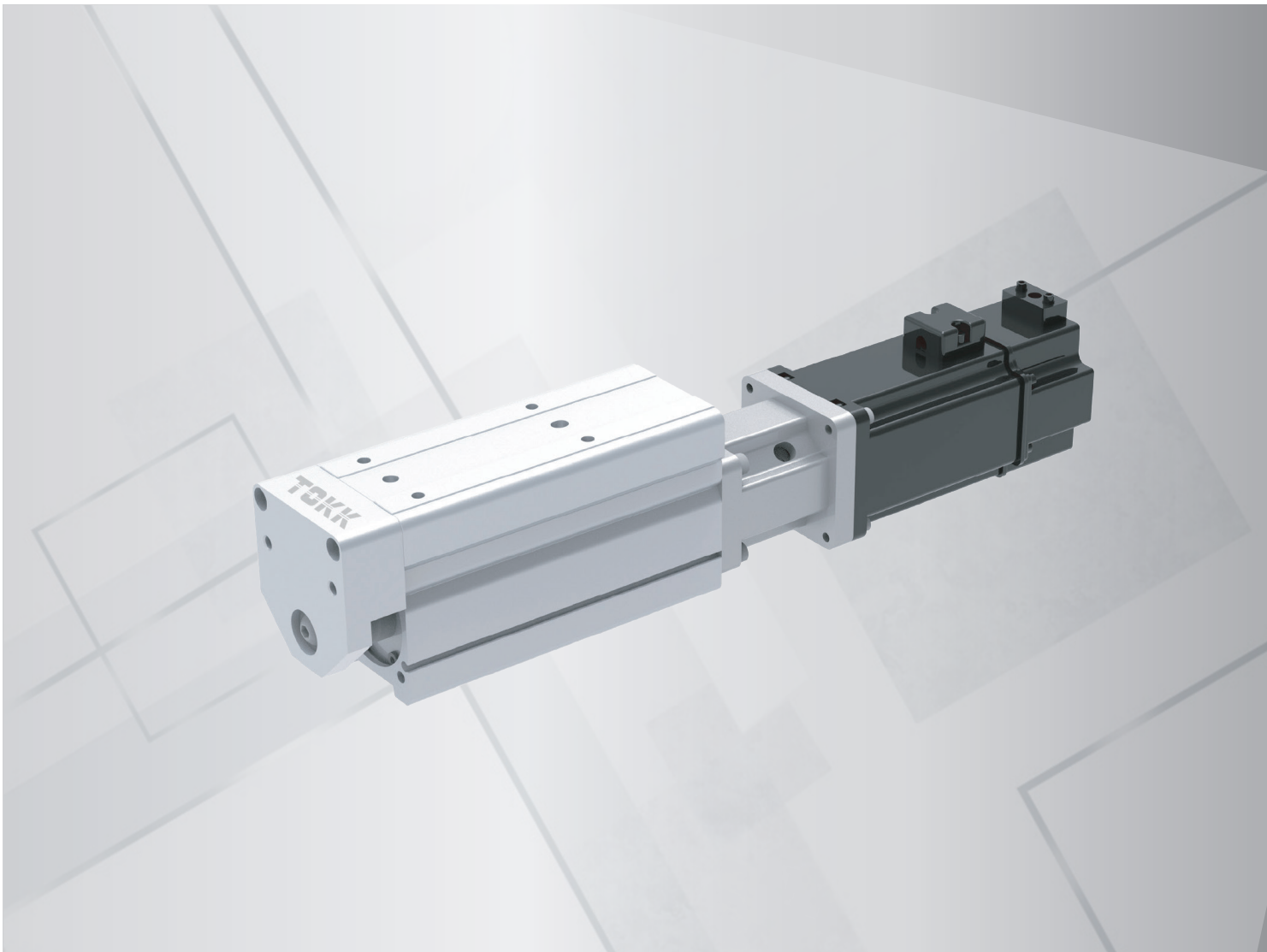


LH series



LH High precision electric slide table

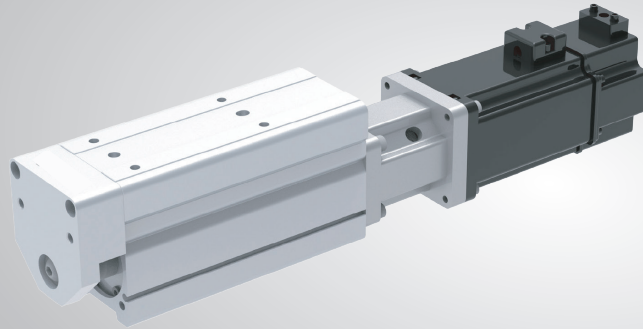


LH16 High precision electric slide table

Width **45mm**

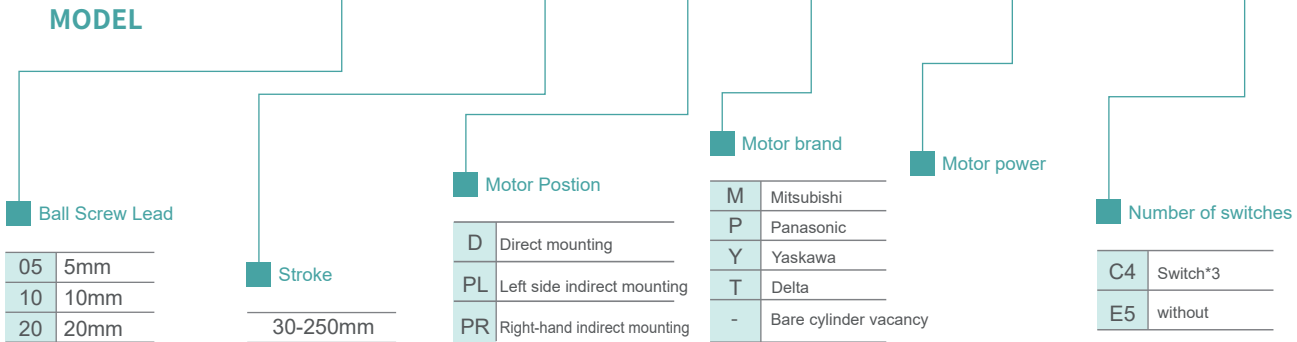
Max.stroke **250mm**

Max.payload **12kg**



LH16 - L10 - 100 - D - M - 100W - C4

MODEL

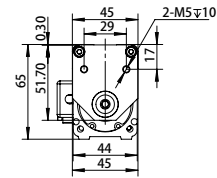
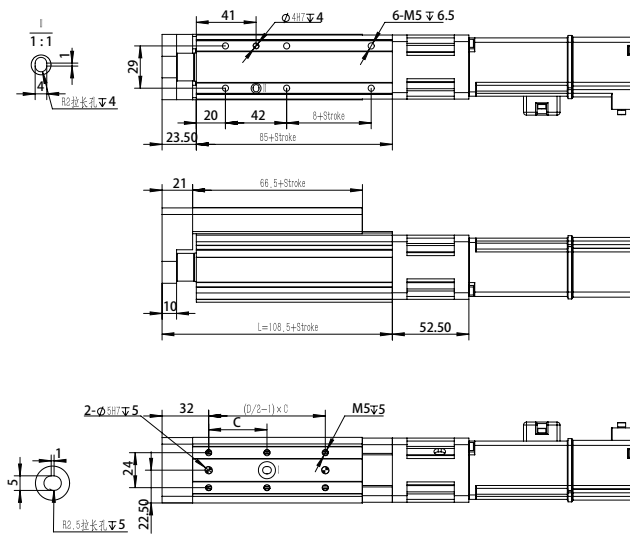


Product parameter

Standard motor output(w)	100W			Stepper motor 42		
Static loading Moment(Nm)	0.32			0.25		
Repeatability(mm)	±0.02					
Lead	5	10	20	5	10	20
Maximum thrust(N)	340	170	85	250	125	62.5
Maximum speed(mm/s)	250	500	1000	50	100	200
Stroke(mm)	30.50.100.150.200.250					
Max. payload(KG)	Horizontal(kg)			8		
	Vertical(kg)			12		
Stroke weight(KG)	0.8					
Weight increase per 10mm cylinder body(KG)	1.1					
Motor directly mounting related component mass(KG)	0.18					
Motors indirectly mount related component quality(KG)	0.26					

LH16-BC

Unit:mm

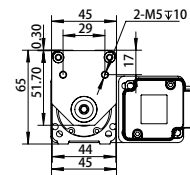
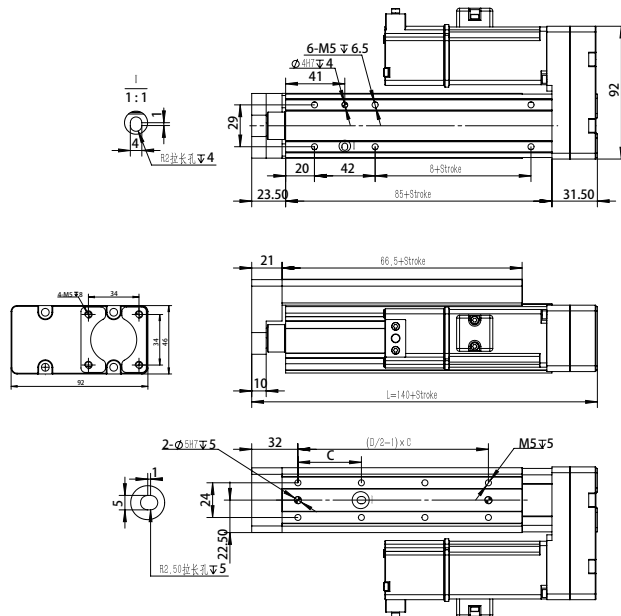


单位: mm

Model	Stroke	C	D
LH16	30	30	6
	50	40	6
	100	44	8
	150	60	8
	200	60	8
250	60	10	

LH16-PL

Unit:mm



单位: mm

Model	Stroke	C	D
LH16	30	30	6
	50	40	6
	100	44	8
	150	60	8
	200	60	8
250	60	10	

LG Series

LH Series

LC Series

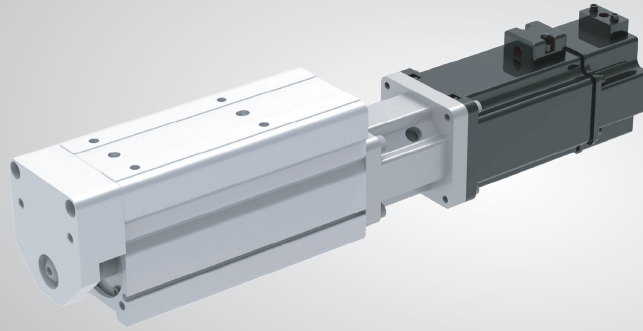
LE Series

LH25 High precision electric slide table

Width **60mm**

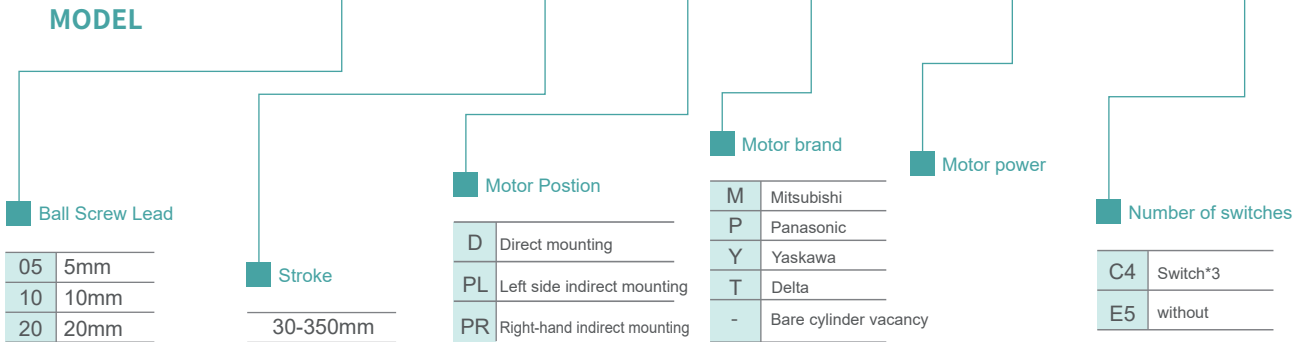
Max.stroke **350mm**

Max.payload **20kg**



LH25 - L10 - 100 - D - M - 200W - C4

MODEL



Ball Screw Lead

05	5mm
10	10mm
20	20mm

Stroke

30-350mm

Motor Position

D	Direct mounting
PL	Left side indirect mounting
PR	Right-hand indirect mounting

Motor brand

M	Mitsubishi
P	Panasonic
Y	Yaskawa
T	Delta
-	Bare cylinder vacancy

Motor power

200W

Number of switches

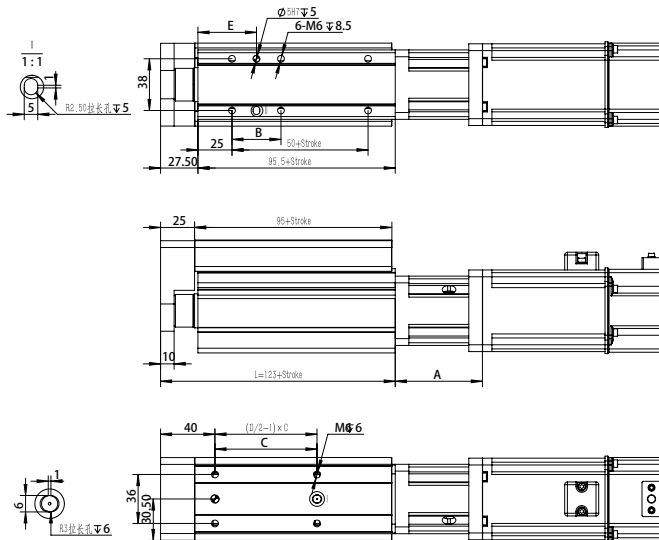
C4	Switch*3
E5	without

Product parameter

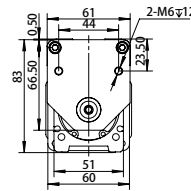
Standard motor output(w)	200W	Stepper motor 57				
Static loading Moment(Nm)	0.64	0.3				
Repeatability(mm)	±0.02					
Lead	5	10	20	5	10	20
Maximum thrust(N)	690	350	175	300	150	75
Maximum speed(mm/s)	250	500	1000	50	200	400
Stroke(mm)	30.50.100.150.180.200.250.300.350					
Max. payload(KG)	Horizontal(kg)		12			
	Vertical(kg)		20			
Stroke weight(KG)		1.5				
Weight increase per 10mm cylinder body(KG)		2				
Motor directly mounting related component mass(KG)		0.26				
Motors indirectly mount related component quality(KG)		0.43				

LH25-BC

Unit:mm



马达	A
200W	64
步距57	55

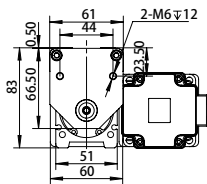
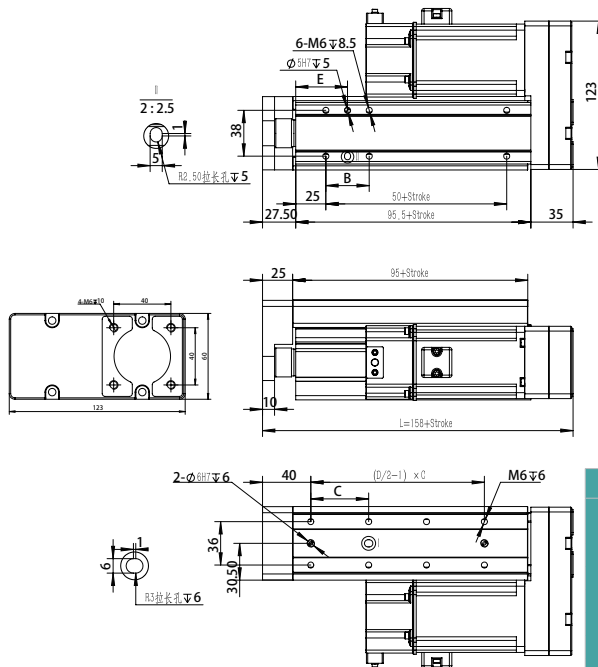


Model	Stroke	C	D	B	E
LH25	30	65	4	36	43
	50	75	4	36	43
	100	48	8	36	43
	150	65	8	53	51.5
	180	65	8	53	51.5
	200	65	8	53	51.5
	250	65	10	53	51.5
	300	65	12	53	51.5

单位: mm

LH25-PL

Unit:mm



Model	Stroke	C	D	B	E
LH25	30	65	4	36	43
	50	75	4	36	43
	100	48	8	36	43
	150	65	8	53	51.5
	180	65	8	53	51.5
	200	65	8	53	51.5
	250	65	10	53	51.5
	300	65	12	53	51.5

单位: mm

LG

LH

LC

LE