

LGTH Series

Standard/Built-in Linear Motion Guide Ball Screw Actuator

CONTENTS

Standard/Ball Screw

Dual Carriage Synchronous Movement In Reverse Direction

SMALL

LGTH4



44mm
Width
800mm
Max. stroke
25kg
Max. payload

MEDIUM

LGTH5S



54mm
Width
325mm
Max. stroke
30kg
Max. payload

SMALL

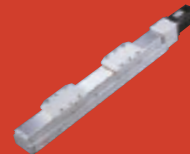
LGTH5



54mm
Width
800mm
Max. stroke
30kg
Max. payload

MEDIUM

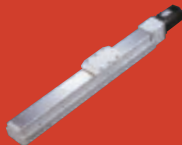
LGTH8S



82mm
Width
450mm
Max. stroke
50kg
Max. payload

MEDIUM

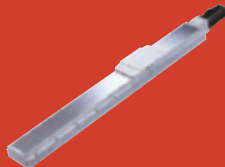
LGTH8



82mm
Width
1100mm
Max. stroke
50kg
Max. payload

LARGE

LGTH12



120mm
Width
1250mm
Max. stroke
110kg
Max. payload

Spec Index of Electric Actuator

LGTH
LGTH series

LGTH Built-in Linear Motion Guide Ball Screw Actuator-Slider Type

LGCH
LGCH series

LETH
LETH series

LECH
LECH series

Environment	Driven Mode	Specification	Motor Output (w)	Width(mm)	Repeatability (mm)	Ball Screw Spec		Maximum Payload(kg)		Maximum Speed ^{*1} (mm/s)
						Outer Diameter(mm)	Lead(mm)	Horizontal	Vertical	
Standard	Ball screw	LGTH4	50W	44	±0.01	10	2	25	8	100
							6	20	5	300
							12	12	2	600
			100W				2	25	8	100
							6	20	8	300
							12	12	3.5	600
		LGTH5	100W	54	±0.01	12	5	30	10	250
							10	15	5	500
							20	10	2.5	1000
		LGTH8	200W	82	±0.01	16	5	50	15	250
							10	30	8	500
			400W				20	18	3	1000
LGTH12	400W	120	±0.01	16	5	110	33	250		
					10	88	22	500		
					20	40	10	1000		
					32	30	8	1600		

*1: The highest speed is based on the maximum servo motor's rpm (3000).

*2: Written here is the standard stork's maximum safe speed. If over this speed, it may casue serious vrbtration.

Dual Carriage Synchronous Movement In Reverse Direction

KK
KK series

Environment	Driven Mode	Specification	Motor Output (w)	Width(mm)	Repeatability (mm)	Ball Screw Spec		Maximum Payload(kg)		Maximum Speed ^{*1} (mm/s)
						Outer Diameter(mm)	Lead(mm)	Horizontal	Vertical	
Standard	Ball screw	LGTH5S	100W	54	±0.01	12	2	30	10	100
		LGTH8S	200W	82	±0.01	16	5	50	15	250
			400W							

*1: The highest speed is based on the maximum servo motor's rpm (3000).

*2: Written here is the standard stork's maximum safe speed. If over this speed, it may casue serious vrbtration.

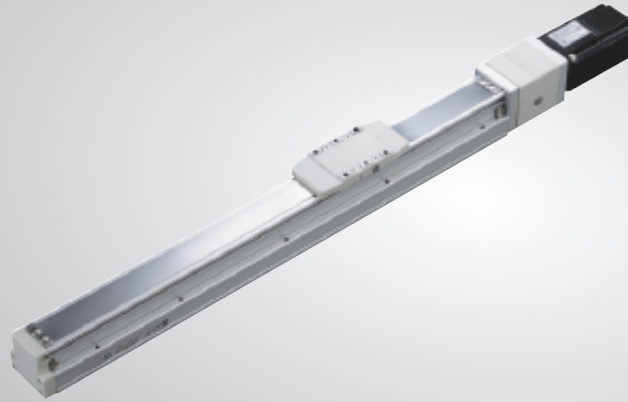
Stroke(mm) & Maximum Speed(mm/s) *2																				Speed					Page				
Stroke	50	100	150	200	250	300	350	400	450	500	550	600	650	700	750	800	850	900	950	1000	1050	1100	1150	1200	1250	1300	1350		
				100								90	80	70	60	50													087
				300								270	240	210	180	150													
				600								540	480	420	360	300													
				100								90	80	70	60	50													
				300								270	240	210	180	150													
				600								540	480	420	360	300													
				100								90	80	70	60														095
				250								270	200	175	150														
				500								450	400	350	300														
				1000								900	800	700	600														
				250												225	200	175	150	125	100	75							
				500												450	400	350	300	250	200	150							
				1000												900	800	700	600	500	400	300							
				250													225	200	175	167	158	150		133	125	117			
				500													450	400	350	333	317	300		267	250	233			
				1000													900	800	700	667	633	600		533	500	467			
				1600													1440	1280	1120	1067	1013	900		853	800	747			

Stroke(mm) & Maximum Speed(mm/s) *2																				Speed					Page				
Stroke	25	50	75	100	125	150	175	200	225	250	275	300	325	350	375	400	425	450	475	500	525	550	575	600	625	650	675		
				100																									111
				250																									115

LGTH4 1-axis

▶ Track embedding

▶ Screw drive



Maximum Stroke 800mm

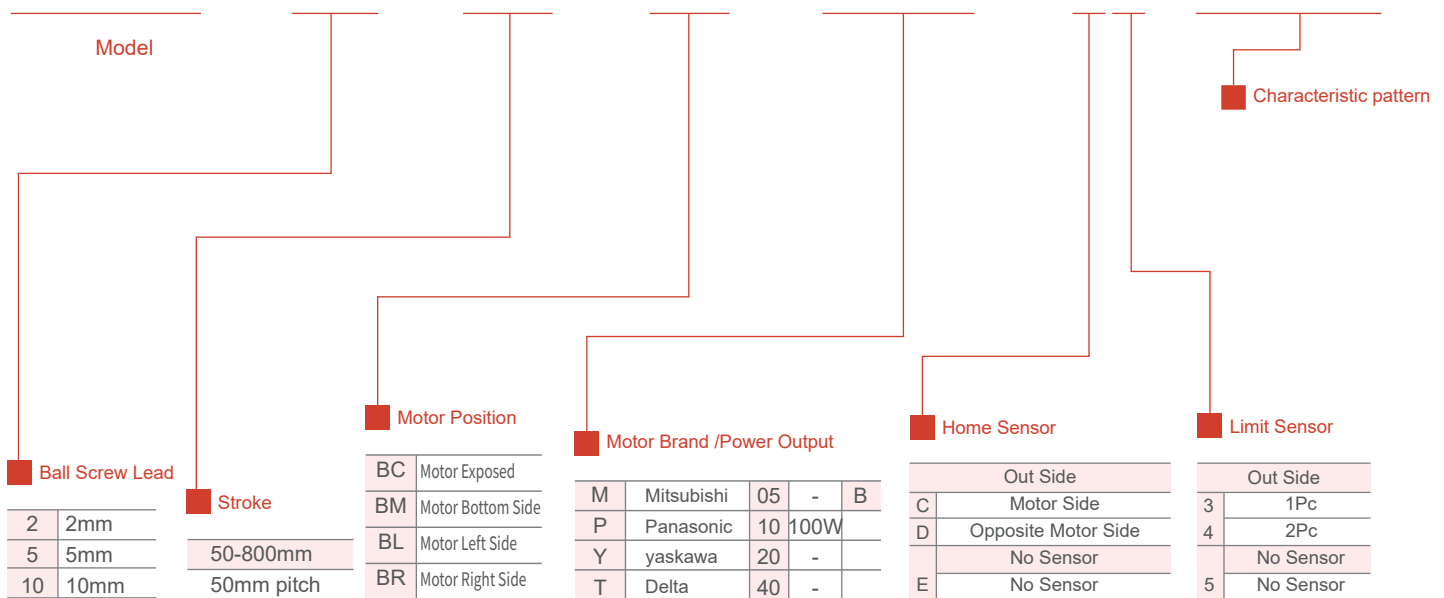
Maximum Speed 600mm/s

Motor output 100W

Ball Screw Φ 10mm

Model naming method

LGTH4 - L2 - 100 - BC - M10B - C4 - 0001



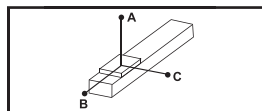
Product parameter

Position repetition accuracy (mm)		±0.01		
Ball Screw Lead (mm)		2	5	10
Max. speed(mm/s)		100	250	500
Max. load(KG)	Max. horizontal load(KG)	25	20	12
	Max. vertical load(KG)	8	8	3.5
Standard stroke (mm)		50-800mm/50mm Pitch		
AC servo motor capacity(W)		100		
Ball Screw (mm)		C7Φ10		
Coupling (mm)		7×8		
Origin inductor	Plug-in	T74N2(NPN)		

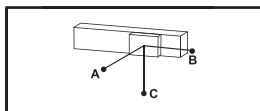
※1 Acceleration and deceleration value is set 0.2 second.

※2 When the stroke is over 550mm, the run-out of the ballscrew will occur. We recommend to low down the working speed under this circumstances Please refer to instructions on page P15 for details .

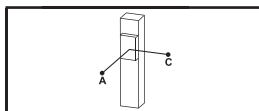
Allowable Overhang



(Unit : mm)



(Unit : mm)



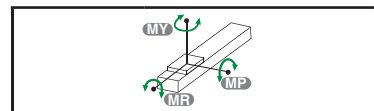
(Unit : mm)

Horizontal Installation		A	B	C
2 Lead	12kg	1000	55	80
	18kg	750	35	50
	25kg	500	23	32
6 Lead	10kg	550	53	70
	15kg	350	32	45
	20kg	250	22	31
12 Lead	8kg	305	59	75
	10kg	240	45	57
	12kg	195	37	47

Wall Installation		A	B	C
2 Lead	12kg	80	55	1000
	18kg	50	35	750
	25kg	32	23	500
6 Lead	10kg	72	52	550
	15kg	45	32	345
	20kg	31	22	250
12 Lead	8kg	75	59	300
	10kg	58	45	240
	12kg	47	37	190

Vertical Installation		A	C
2 Lead	4kg	195	195
	8kg	100	100
	-	-	-
6 Lead	4kg	150	150
	8kg	75	75
	-	-	-
12 Lead	2kg	260	260
	3.5kg	150	150
	-	-	-

Static Loading Moment



(Unit : N.m)

MY	79
MP	79
MR	116

• The torque value in the chart indicate the center of gravity.

• Operation life is 10,000km when the product is using under the specified conditions.

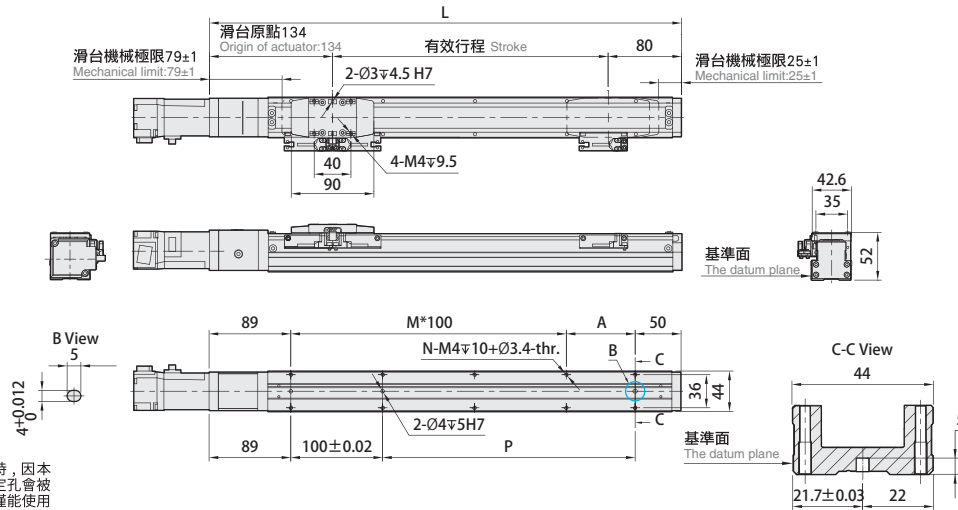
• Data information is not for ceiling-mount inverse use. Contact us for the details if you want to apply ceiling-mount inverse usage.

Suitable Motor Brand

Brand	Mark	Brake	Watt	AC-Voltage	Motor Model	Driver Model
Mitsubishi	M	No Brake (Horizontal Type)	100	220	HG-KR13	MR-J4-10A
		With Brake (Vertical Type)	100	220	HG-KR13B	MR-J4-10A
Panasonic	P	No Brake (Horizontal Type)	100	220	MSMD012G1U	MADHT1505
		With Brake (Vertical Type)	100	220	MSMD012G1V	MADHT1505
Delta	T	No Brake (Horizontal Type)	100	220	ECMA-C20401ES	ASD-B20121-B
		With Brake (Vertical Type)	100	220	ECMA-C20401FS	ASD-B20121-B

motor exposed

Unit:mm

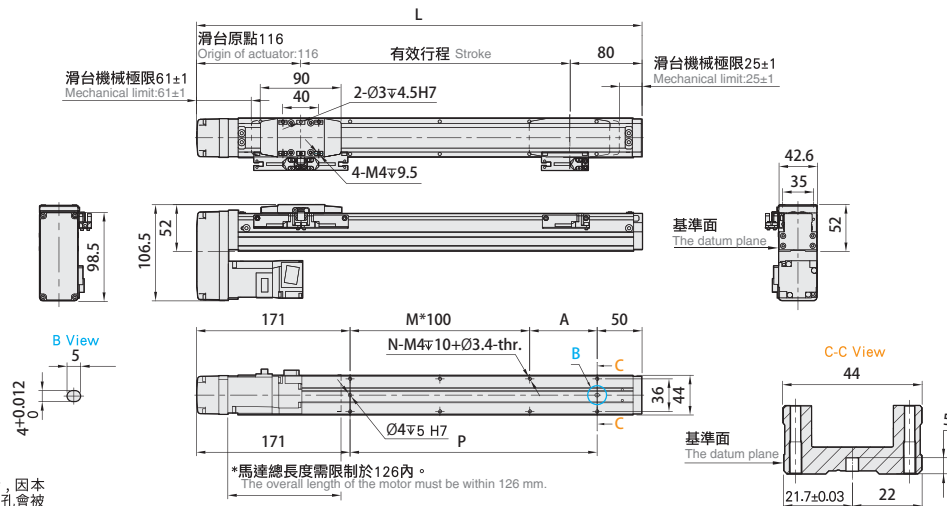


※行程 50 時，因本體上鎖式固定孔會被滑座遮住，僅能使用 4 支螺絲固定，建議客戶本體使用下鎖式固定孔鎖附。
When the stroke is 50mm, if fixing the body from the top to the bottom, the fixing hole will be blocked by slider and only can be uses 4 screws to fix; as a result, suggest that fixing actuator body from the bottom to the top.

有效行程 Stroke	50*	100	150	200	250	300	350	400	450	500	550	600	650	700	750	800
L	264	314	364	414	464	514	564	614	664	714	764	814	864	914	964	1014
A	25	75	25	75	25	75	25	75	25	75	25	75	25	75	25	75
M	1	1	2	2	3	3	4	4	5	5	6	6	7	7	8	8
N	6	6	8	8	10	10	12	12	14	14	16	16	18	18	20	20
P	25	75	125	175	225	275	325	375	425	475	525	575	625	675	725	775
KG	0.95	1.12	1.29	1.47	1.65	1.83	2.01	2.19	2.37	2.55	2.73	2.91	3.09	3.27	3.45	3.63

motor bottom side

Unit:mm



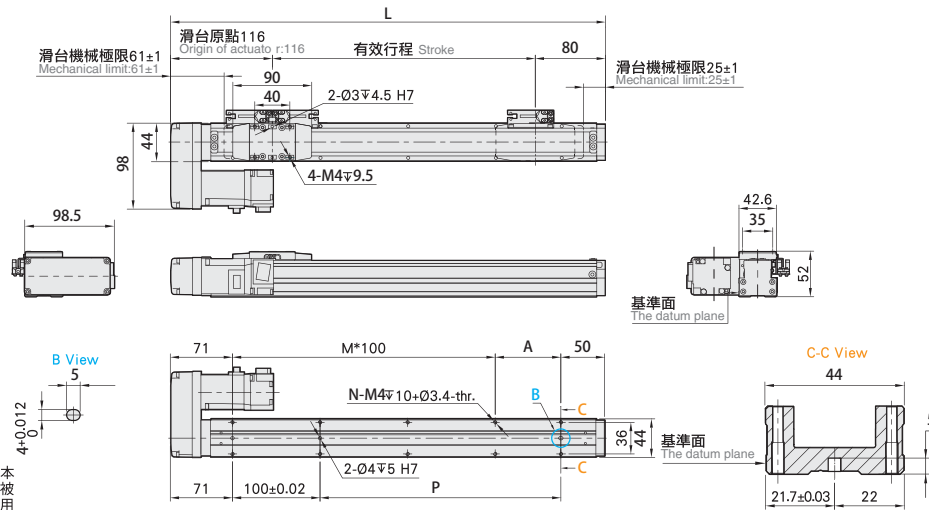
※行程 50 時，因本體上鎖式固定孔會被滑座遮住，僅能使用 4 支螺絲固定，建議客戶本體使用下鎖式固定孔鎖附。
When the stroke is 50mm, if fixing the body from the top to the bottom, the fixing hole will be blocked by slider and only can be uses 4 screws to fix; as a result, suggest that fixing actuator body from the bottom to the top.

有效行程 Stroke	50*	100	150	200	250	300	350	400	450	500	550	600	650	700	750	800
L	246	296	346	396	446	496	546	596	646	696	746	796	846	896	946	996
A	25	75	25	75	25	75	25	75	25	75	25	75	25	75	25	75
M	0	0	1	1	2	2	3	3	4	4	5	5	6	6	7	7
N	4	4	6	6	8	8	10	10	12	12	14	14	16	16	18	18
P	25	75	125	175	225	275	325	375	425	475	525	575	625	675	725	775
KG	1.04	1.22	1.40	1.58	1.76	1.94	2.12	2.30	2.48	2.66	2.84	3.02	3.20	3.38	3.56	3.74

*馬達下折時，若選用煞車馬達，或是超出馬達總長度限制時無法套用標準 PIN 孔，如有需求請洽我司業務。
When motor with brake assembled on lower side, or the total length over than spec limit, it may not use standard pinhole. Please contact our sales department if you need more information & requirement.

motor left side

Unit:mm

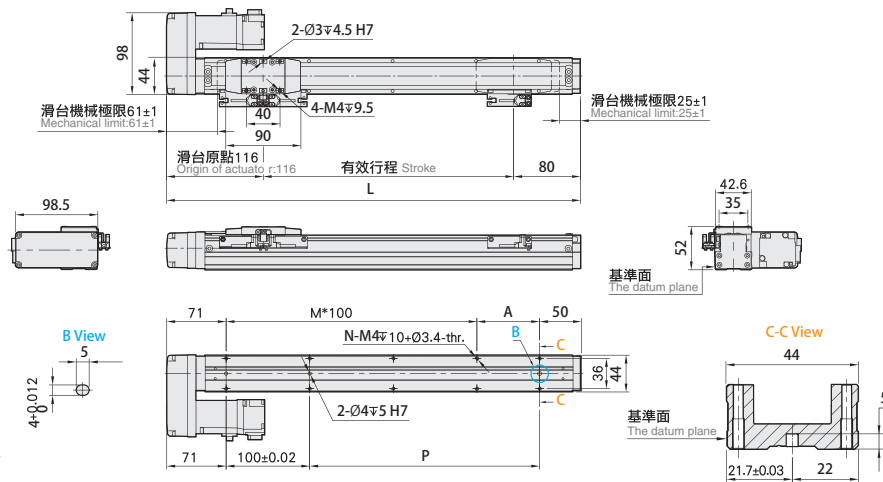


※行程 50 時，因本體上鎖式固定孔會被滑座遮住，僅能使用 4 支螺絲固定，建議客戶本體使用下鎖式固定孔鎖附。
When the stroke is 50mm, if fixing the body from the top to the bottom, the fixing hole will be blocked by slider and only can be uses 4 screws to fix, as a result, suggest that fixing actuator body from the bottom to the top.

有效行程 Stroke	50 ※	100	150	200	250	300	350	400	450	500	550	600	650	700	750	800
L	246	296	346	396	446	496	546	596	646	696	746	796	846	896	946	996
A	25	75	25	75	25	75	25	75	25	75	25	75	25	75	25	75
M	1	1	2	2	3	3	4	4	5	5	6	6	7	7	8	8
N	6	6	8	8	10	10	12	12	14	14	16	16	18	18	20	20
P	25	75	125	175	225	275	325	375	425	475	525	575	625	675	725	775
KG	1.04	1.22	1.40	1.58	1.76	1.94	2.12	2.30	2.48	2.66	2.84	3.02	3.20	3.38	3.56	3.74

motor right side

Unit:mm



※行程 50 時，因本體上鎖式固定孔會被滑座遮住，僅能使用 4 支螺絲固定，建議客戶本體使用下鎖式固定孔鎖附。
When the stroke is 50mm, if fixing the body from the top to the bottom, the fixing hole will be blocked by slider and only can be uses 4 screws to fix, as a result, suggest that fixing actuator body from the bottom to the top.

有效行程 Stroke	50 ※	100	150	200	250	300	350	400	450	500	550	600	650	700	750	800
L	246	296	346	396	446	496	546	596	646	696	746	796	846	896	946	996
A	25	75	25	75	25	75	25	75	25	75	25	75	25	75	25	75
M	1	1	2	2	3	3	4	4	5	5	6	6	7	7	8	8
N	6	6	8	8	10	10	12	12	14	14	16	16	18	18	20	20
P	25	75	125	175	225	275	325	375	425	475	525	575	625	675	725	775
KG	1.04	1.22	1.40	1.58	1.76	1.94	2.12	2.30	2.48	2.66	2.84	3.02	3.20	3.38	3.56	3.74

LGTH series

LGCH series

LETH series

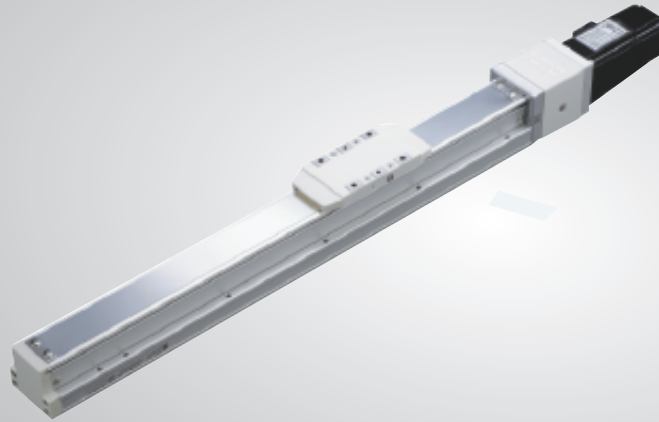
LECH series

KK series

LGTH5 1-axis

▶ Track embedding

▶ Screw drive



Maximum Stroke 800mm

Maximum Speed 1000mm/s

Motor output 100W

Ball Screw Φ 12mm

Model naming method

LGTH5 - L5 - 100 - BC - M10B - C4 - 0001

MODEL

Characteristic pattern

Ball Screw Lead

5	5mm
10	10mm
20	20mm

Stroke

50-800mm

Motor Position

BC	Motor Exposed
BM	Motor Bottom Side
BL	Motor Left Side
BR	Motor Right Side

Motor Brand /Power Output

M	Mitsubishi	05	-	B
P	Panasonic	10	100W	
Y	yaskawa	20	-	
T	Delta	40	-	

Home Sensor

	Out Side
C	Motor Side
D	Opposite Motor Side
	No Sensor
E	No Sensor

Limit Sensor

	Out Side
3	1Pc
4	2Pc
	No Sensor
5	No Sensor

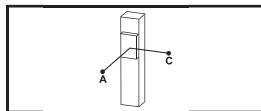
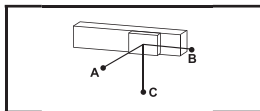
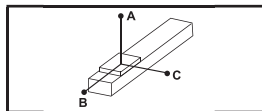
Product parameter

Position repetition accuracy (mm)		±0.01		
Ball Screw Lead (mm)		5	10	20
Max. speed(mm/s)		250	500	1000
Max. load(KG)	Max. horizontal load(KG)	30	15	10
	Max. vertical load(KG)	10	5	2.5
Standard stroke (mm)		50-800mm/50mm Pitch		
AC servo motor capacity(W)		100		
Ball Screw (mm)		C7Φ12		
Coupling (mm)		7×8		
Origin inductor	Plug-in	T74N2(NPN)		

※1 Acceleration and deceleration value is set 0.2 second.

※2 When the stroke is over 550mm, the run-out of the ballscrew will occur. We recommend to low down the working speed under this circumstances Please refer to instructions on page P15 for details .

Allowable Overhang



(Unit : mm)

Horizontal Installation	A	B	C	
2 Lead	10kg	900	100	135
	20kg	700	45	60
	30kg	550	25	35
5 Lead	10kg	650	75	100
	20kg	440	32	45
	30kg	270	19	25
10 Lead	5kg	600	145	185
	10kg	370	70	85
	15kg	250	42	52
20 Lead	5kg	320	120	130
	8kg	220	70	80
	10kg	175	55	60

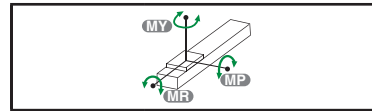
(Unit : mm)

Wall Installation	A	B	C	
2 Lead	10kg	135	100	900
	20kg	60	45	700
	30kg	37	27	550
5 Lead	10kg	100	75	650
	20kg	45	32	420
	30kg	25	19	260
10 Lead	5kg	180	145	600
	10kg	85	68	370
	15kg	52	42	250
20 Lead	5kg	130	120	320
	8kg	75	70	220
	10kg	60	55	170

(Unit : mm)

Vertical Installation	A	C	
2 Lead	6kg	180	180
	8kg	135	135
	10kg	110	110
5 Lead	6kg	145	145
	8kg	110	110
	10kg	90	90
10 Lead	1kg	800	800
	3kg	260	260
	5kg	155	155
20 Lead	1kg	600	600
	2kg	300	300
	2.5kg	250	250

Static Loading Moment



(Unit : N.m)

MY	103
MP	103
MR	114

* The torque value in the chart indicate the center of gravity.

* Operation life is 10,000km when the product is using under the specified conditions.

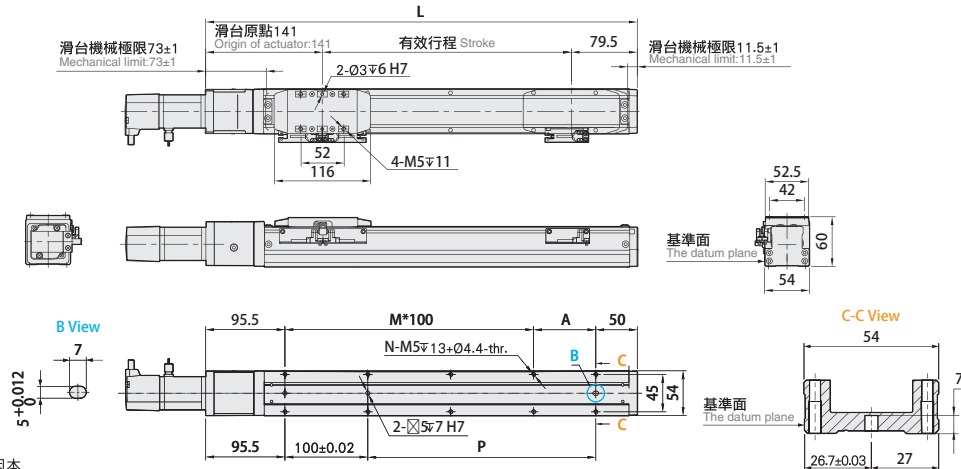
* Data information is not for ceiling-mount inverse use. Contact us for the details if you want to apply ceiling-mount inverse usage.

Suitable Motor Brand

Brand	Mark	Brake	Watt	AC-Voltage	Motor Model	Driver Model
Mitsubishi	M	No Brake (Horizontal Type)	100	220	HG-KR13	MR-J4-10A
		With Brake (Vertical Type)	100	220	HG-KR13B	MR-J4-10A
Panasonic	P	No Brake (Horizontal Type)	100	220	MSMD012G1U	MADHT1505
		With Brake (Vertical Type)	100	220	MSMD012G1V	MADHT1505
Delta	T	No Brake (Horizontal Type)	100	220	ECMA-C20401ES	ASD-B20121-B
		With Brake (Vertical Type)	100	220	ECMA-C20401FS	ASD-B20121-B

motor exposed

Unit:mm

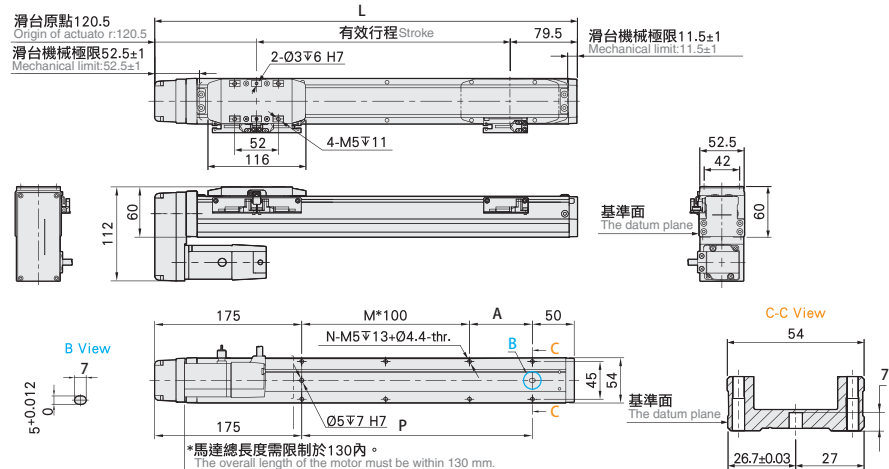


※行程 50 時，因本體上鎖式固定孔會被滑座遮住，僅能使用 4 支螺絲固定，建議客戶本體使用下鎖式固定孔鎖附。
When the stroke is 50mm, if fixing the body from the top to the bottom, the fixing hole will be blocked by slider and only can be uses 4 screws to fix.as a result, suggest that fixing actuator body from the bottom to the top.

有效行程 Stroke	50 ※	100	150	200	250	300	350	400	450	500	550	600	650	700	750	800
L	270.5	320.5	370.5	420.5	470.5	520.5	570.5	620.5	670.5	720.5	770.5	820.5	870.5	920.5	970.5	1020.5
A	25	75	25	75	25	75	25	75	25	75	25	75	25	75	25	75
M	1	1	2	2	3	3	4	4	5	5	6	6	7	7	8	8
N	6	6	8	8	10	10	12	12	14	14	16	16	18	18	20	20
P	25	75	125	175	225	275	325	375	425	475	525	575	625	675	725	775
KG	1.65	1.79	1.92	2.11	2.39	2.50	2.52	2.75	2.86	2.95	3.15	3.28	3.44	3.58	3.71	4.09

motor bottom side

Unit:mm



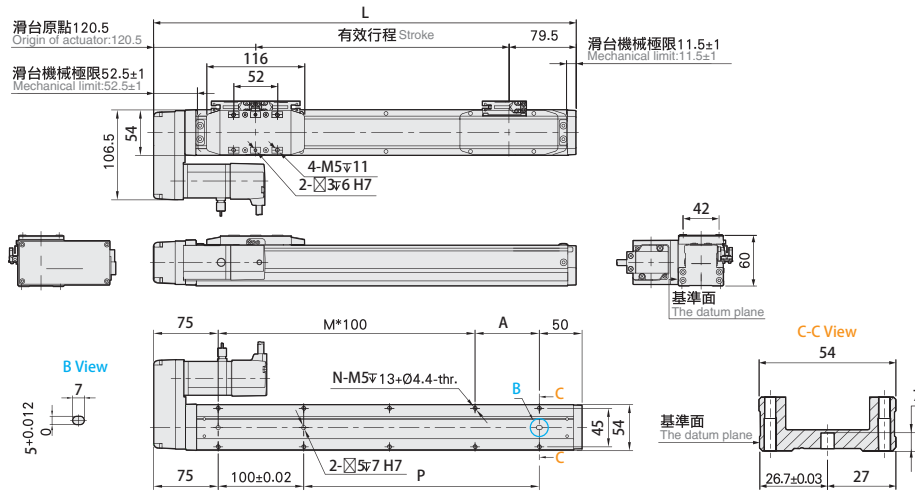
※行程 50 時，因本體上鎖式固定孔會被滑座遮住，僅能使用 4 支螺絲固定，建議客戶本體使用下鎖式固定孔鎖附。
When the stroke is 50mm, if fixing the body from the top to the bottom, the fixing hole will be blocked by slider and only can be uses 4 screws to fix.as a result, suggest that fixing actuator body from the bottom to the top.

有效行程 Stroke	50 ※	100	150	200	250	300	350	400	450	500	550	600	650	700	750	800
L	250	300	350	400	450	500	550	600	650	700	750	800	850	900	950	1000
A	25	75	25	75	25	75	25	75	25	75	25	75	25	75	25	75
M	0	0	1	1	2	2	3	3	4	4	5	5	6	6	7	7
N	4	4	6	6	8	8	10	10	12	12	14	14	16	16	18	18
P	25	75	125	175	225	275	325	375	425	475	525	575	625	675	725	775
KG	1.68	1.80	2.03	2.14	2.42	2.53	2.58	2.78	2.89	2.98	3.18	3.31	3.47	3.60	3.74	4.12

*馬達總長度需限制於130mm。
The overall length of the motor must be within 130 mm.
*馬達下折時，若選用煞車馬達，或是超出馬達總長度限制時無法套用標準 PIN 孔，如有需求請洽我司業務。
When motor with brake assembled on lower side, or the total length over than spec limit, it may not use standard pinhole. Please contact our sales department if you need more information & requirement.

motor left side

Unit:mm

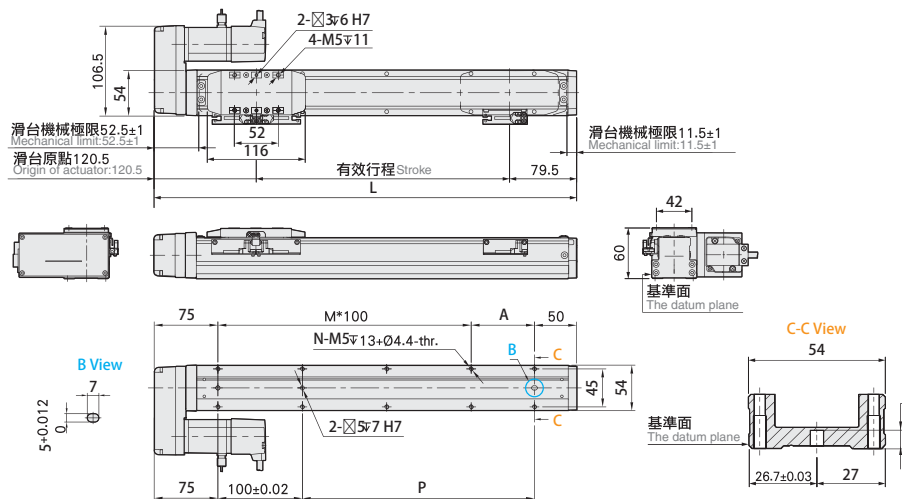


※行程 50 時，因本體上鎖式固定孔會被滑座遮住，僅能使用 4 支螺絲固定，建議客戶本體使用下鎖式固定孔鎖附。
When the stroke is 50mm, if fixing the body from the top to the bottom, the fixing hole will be blocked by slider and only can be uses 4 screws to fix as a result, suggest that fixing actuator body from the bottom to the top.

有效行程 Stroke	50*	100	150	200	250	300	350	400	450	500	550	600	650	700	750	800
L	250	300	350	400	450	500	550	600	650	700	750	800	850	900	950	1000
A	25	75	25	75	25	75	25	75	25	75	25	75	25	75	25	75
M	1	1	2	2	3	3	4	4	5	5	6	6	7	7	8	8
N	6	6	8	8	10	10	12	12	14	14	16	16	18	18	20	20
P	25	75	125	175	225	275	325	375	425	475	525	575	625	675	725	775
KG	1.68	1.80	2.03	2.14	2.42	2.53	2.58	2.78	2.89	2.98	3.18	3.31	3.47	3.60	3.74	4.12

motor right side

Unit:mm



※行程 50 時，因本體上鎖式固定孔會被滑座遮住，僅能使用 4 支螺絲固定，建議客戶本體使用下鎖式固定孔鎖附。
When the stroke is 50mm, if fixing the body from the top to the bottom, the fixing hole will be blocked by slider and only can be uses 4 screws to fix as a result, suggest that fixing actuator body from the bottom to the top.

有效行程 Stroke	50*	100	150	200	250	300	350	400	450	500	550	600	650	700	750	800
L	250	300	350	400	450	500	550	600	650	700	750	800	850	900	950	1000
A	25	75	25	75	25	75	25	75	25	75	25	75	25	75	25	75
M	1	1	2	2	3	3	4	4	5	5	6	6	7	7	8	8
N	6	6	8	8	10	10	12	12	14	14	16	16	18	18	20	20
P	25	75	125	175	225	275	325	375	425	475	525	575	625	675	725	775
KG	1.68	1.80	2.03	2.14	2.42	2.53	2.58	2.78	2.89	2.98	3.18	3.31	3.47	3.60	3.74	4.12

LGTH series

LGCH series

LETH series

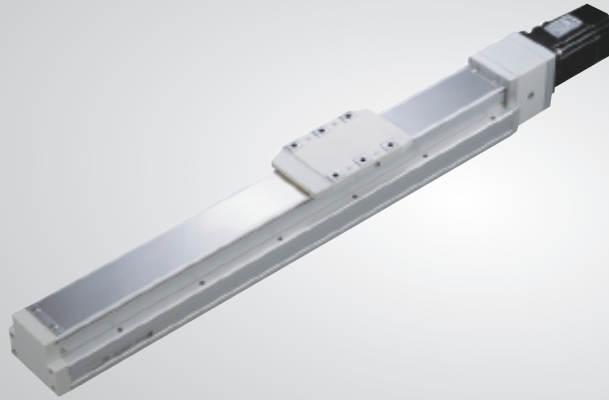
LECH series

KK series

LGTH8 1-axis

▶ Track embedding

▶ Screw drive



Maximum Stroke 1100mm

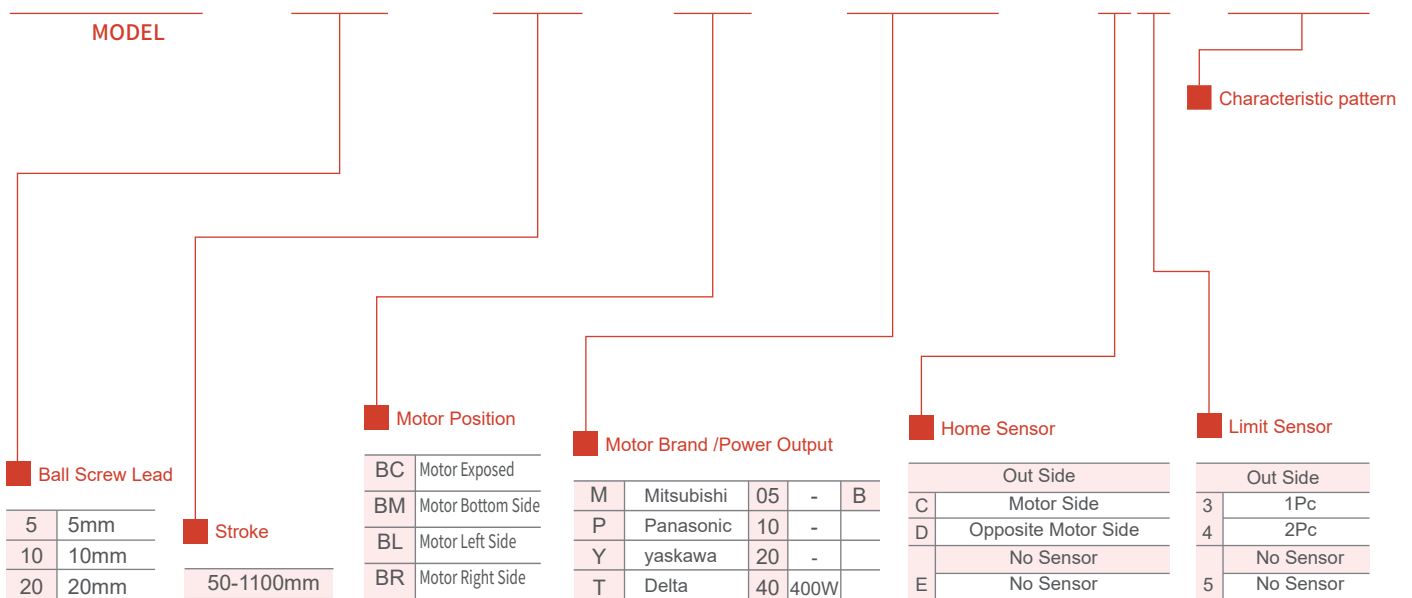
Maximum Speed 1000mm/s

Motor output 400W

Ball Screw Φ16mm

Model naming method

LGTH8 - L10 - 100 - BC - M40B - C4 - 0001



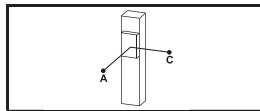
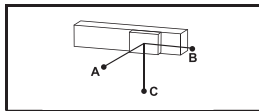
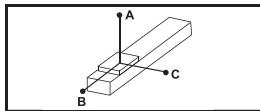
Product parameter

Position repetition accuracy (mm)		±0.01		
Ball Screw Lead (mm)		5	10	20
Max. speed(mm/s)		250	500	1000
Max. load(KG)	Max. horizontal load(KG)	50	30	18
	Max. vertical load(KG)	15	8	3
Rated thrust (N)		1388	695	347
Standard stroke (mm)		50-1100mm/50mm Pitch		
AC servo motor capacity(W)		400		
Ball Screw (mm)		C7Φ16		
Coupling (mm)		10×14		
Origin inductor	Plug-in	T74N2(NPN)		

※1 Acceleration and deceleration value is set 0.2 second.

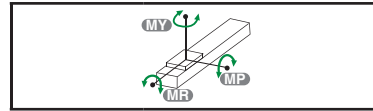
※2 When the stroke is over 750mm, the run-out of the ballscrew will occur. We recommend to low down the working speed under this circumstances Please refer to instructions on page P15 for details .

Allowable Overhang



Horizontal Installation (Unit : mm)				Wall Installation (Unit : mm)				Vertical Installation (Unit : mm)			
	A	B	C		A	B	C		A	C	
5 Lead	20kg	1560	153	237	20kg	214	153	1435	10kg	331	331
	35kg	890	81	126	35kg	113	81	845	15kg	220	220
	50kg	550	53	82	50kg	74	53	506	-	-	-
10 Lead	10kg	1730	286	412	10kg	370	286	1400	5kg	589	589
	20kg	839	136	196	20kg	176	136	800	8kg	368	368
	30kg	541	86	124	30kg	112	86	495	-	-	-
20 Lead	6kg	1213	403	493	6kg	444	403	760	3kg	935	935
	9kg	800	264	323	9kg	292	264	650	-	-	-
	18kg	592	194	238	18kg	214	194	544	-	-	-

Static Loading Moment



	(Unit : N.m)
MY	318
MP	318
MR	626

* The torque value in the chart indicate the center of gravity.

* Operation life is 10,000km when the product is using under the specified conditions.

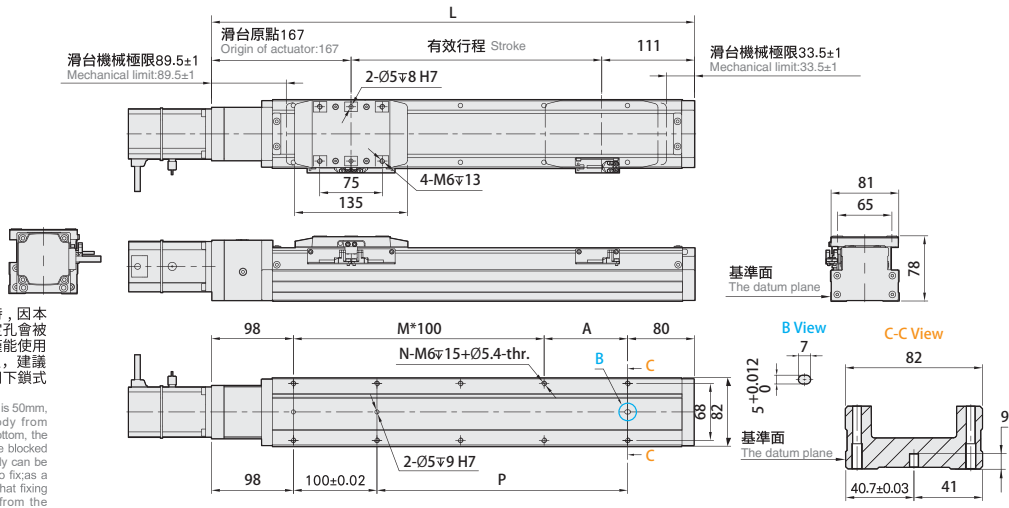
* Data information is not for ceiling-mount inverse use. Contact us for the details if you want to apply ceiling-mount inverse usage.

Suitable Motor Brand

Brand	Mark	Brake	Watt	AC-Voltage	Motor Model	Driver Model
Mitsubishi	M	No Brake (Horizontal Type)	400	220	HG-KR43	MR-J4-40A
		With Brake (Vertical Type)	400	220	HG-KR43B	MR-J4-40A
Panasonic	P	No Brake (Horizontal Type)	400	220	MHMD042G1U	MBDHT2510
		With Brake (Vertical Type)	400	220	MHMD042G1V	MBDHT2510
Delta	I	No Brake (Horizontal Type)	400	220	ECMA-C20604ES	ASD-B20421-B
		With Brake (Vertical Type)	400	220	ECMA-C20604FS	ASD-B20421-B

motor exposed

Unit:mm

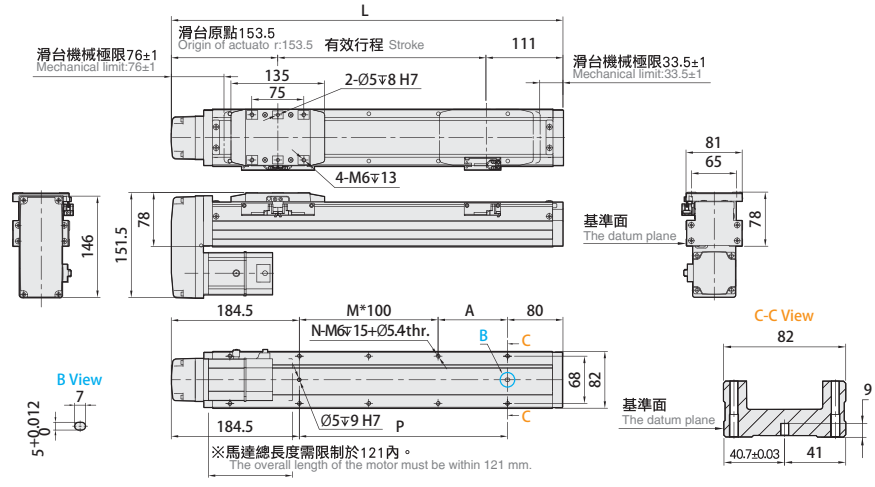


※行程 50 時，因本體上鎖式固定孔會被滑座遮住，僅能使用 4 支螺絲固定，建議客戶本體使用下鎖式固定孔鎖附。
When the stroke is 50mm, if fixing the body from the top to the bottom, the fixing hole will be blocked by slider and only can be uses 4 screws to fixas a result, suggest that fixing actuator body from the bottom to the top.

有效行程 Stroke	50*	100	150	200	250	300	350	400	450	500	550	600	650	700	750	800	850	900	950	1000	1050	1100
L	328	378	428	478	528	578	628	678	728	778	828	878	928	978	1028	1078	1128	1178	1228	1278	1328	1378
A	50	100	50	100	50	100	50	100	50	100	50	100	50	100	50	100	50	100	50	100	50	100
M	1	1	2	2	3	3	4	4	5	5	6	6	7	7	8	8	9	9	10	10	11	11
N	6	6	8	8	10	10	12	12	14	14	16	16	18	18	20	20	22	22	24	24	26	26
P	50	100	150	200	250	300	350	400	450	500	550	600	650	700	750	800	850	900	950	1000	1050	1100
KG	3.91	4.29	4.70	5.00	5.35	5.68	6.00	6.35	6.64	6.97	7.41	7.71	8.12	8.41	8.65	8.96	9.37	9.62	10.01	10.28	10.70	11.12

motor bottom side

Unit:mm



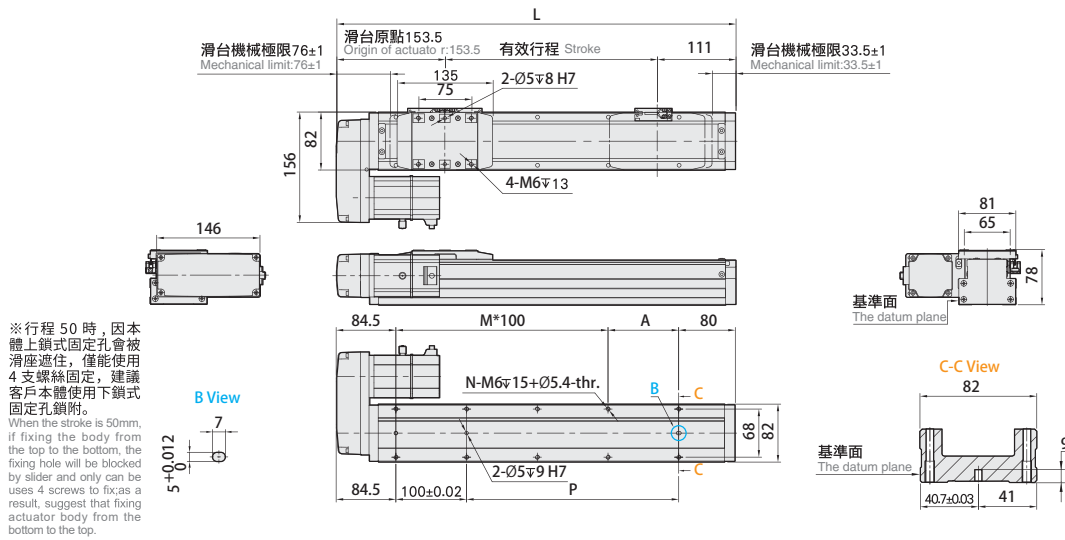
※行程 50 時，因本體上鎖式固定孔會被滑座遮住，僅能使用 4 支螺絲固定，建議客戶本體使用下鎖式固定孔鎖附。
When the stroke is 50mm, if fixing the body from the top to the bottom, the fixing hole will be blocked by slider and only can be uses 4 screws to fixas a result, suggest that fixing actuator body from the bottom to the top.

有效行程 Stroke	50*	100	150	200	250	300	350	400	450	500	550	600	650	700	750	800	850	900	950	1000	1050	1100
L	314.5	364.5	414.5	464.5	514.5	564.5	614.5	664.5	714.5	764.5	814.5	864.5	914.5	964.5	1014.5	1064.5	1114.5	1164.5	1214.5	1264.5	1314.5	1364.5
A	50	100	50	100	50	100	50	100	50	100	50	100	50	100	50	100	50	100	50	100	50	100
M	0	0	1	1	2	2	3	3	4	4	5	5	6	6	7	7	8	8	9	9	10	10
N	4	4	6	6	8	8	10	10	12	12	14	14	16	16	18	18	20	20	22	22	24	24
P	50	100	150	200	250	300	350	400	450	500	550	600	650	700	750	800	850	900	950	1000	1050	1100
KG	3.95	4.33	4.74	5.09	5.39	5.72	6.04	6.39	6.68	7.01	7.45	7.75	8.16	8.45	8.69	9.00	9.41	9.66	10.08	10.32	10.74	11.16

* 馬達下折時，若選用煞車馬達，或是超出馬達總長度限制時無法套用標準 PIN 孔，如有需求請洽我司業務。
When motor with brake assembled on lower side, or the total length over than spec limit, it may not use standard pinhole. Please contact our sales department if you need more information & requirement.

motor left side

Unit:mm

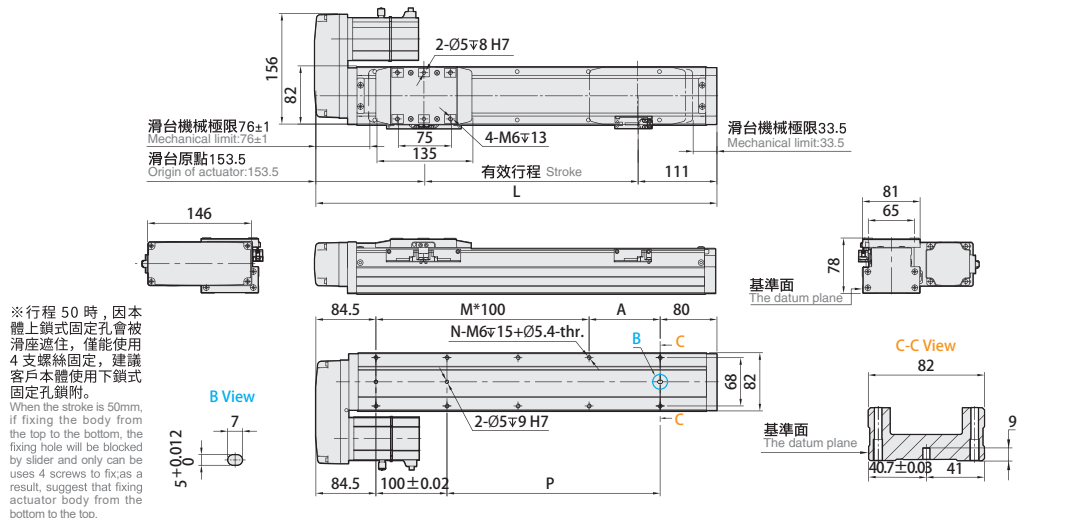


※行程 50 時，因本體上鎖式固定孔會被滑座遮住，僅能使用 4 支螺絲固定，建議客戶本體使用下鎖式固定孔鎖附。
When the stroke is 50mm, if fixing the body from the top to the bottom, the fixing hole will be blocked by slider and only can be uses 4 screws to fix as a result, suggest that fixing actuator body from the bottom to the top.

有效行程 Stroke	50*	100	150	200	250	300	350	400	450	500	550	600	650	700	750	800	850	900	950	1000	1050	1100
L	314.5	364.5	414.5	464.5	514.5	564.5	614.5	664.5	714.5	764.5	814.5	864.5	914.5	964.5	1014.5	1064.5	1114.5	1164.5	1214.5	1264.5	1314.5	1364.5
A	50	100	50	100	50	100	50	100	50	100	50	100	50	100	50	100	50	100	50	100	50	100
M	1	1	2	2	3	3	4	4	5	5	6	6	7	7	8	8	9	9	10	10	11	11
N	6	6	8	8	10	10	12	12	14	14	16	16	18	18	20	20	22	22	24	24	26	26
P	50	100	150	200	250	300	350	400	450	500	550	600	650	700	750	800	850	900	950	1000	1050	1100
KG	3.95	4.33	4.74	5.09	5.39	5.72	6.04	6.39	6.68	7.01	7.45	7.75	8.16	8.45	8.69	9.00	9.41	9.66	10.08	10.32	10.74	11.16

motor right side

Unit:mm



※行程 50 時，因本體上鎖式固定孔會被滑座遮住，僅能使用 4 支螺絲固定，建議客戶本體使用下鎖式固定孔鎖附。
When the stroke is 50mm, if fixing the body from the top to the bottom, the fixing hole will be blocked by slider and only can be uses 4 screws to fix as a result, suggest that fixing actuator body from the bottom to the top.

有效行程 Stroke	50*	100	150	200	250	300	350	400	450	500	550	600	650	700	750	800	850	900	950	1000	1050	1100
L	314.5	364.5	414.5	464.5	514.5	564.5	614.5	664.5	714.5	764.5	814.5	864.5	914.5	964.5	1014.5	1064.5	1114.5	1164.5	1214.5	1264.5	1314.5	1364.5
A	50	100	50	100	50	100	50	100	50	100	50	100	50	100	50	100	50	100	50	100	50	100
M	1	1	2	2	3	3	4	4	5	5	6	6	7	7	8	8	9	9	10	10	11	11
N	6	6	8	8	10	10	12	12	14	14	16	16	18	18	20	20	22	22	24	24	26	26
P	50	100	150	200	250	300	350	400	450	500	550	600	650	700	750	800	850	900	950	1000	1050	1100
KG	3.95	4.33	4.74	5.09	5.39	5.72	6.04	6.39	6.68	7.01	7.45	7.75	8.16	8.45	8.69	9.00	9.41	9.66	10.08	10.32	10.74	11.16

LGTH series

LGCH series

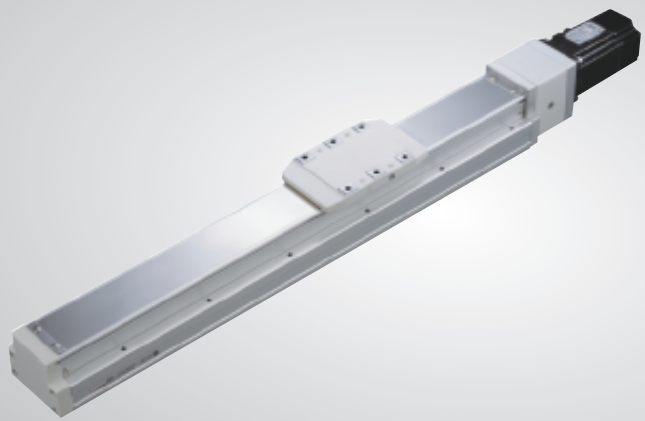
LETH series

LECH series

KK series

LGTH12 1-axis

▶ Track embedding ▶ Screw drive



LGTH
LGTH series

LGCH
LGCH series

LETH
LETH series

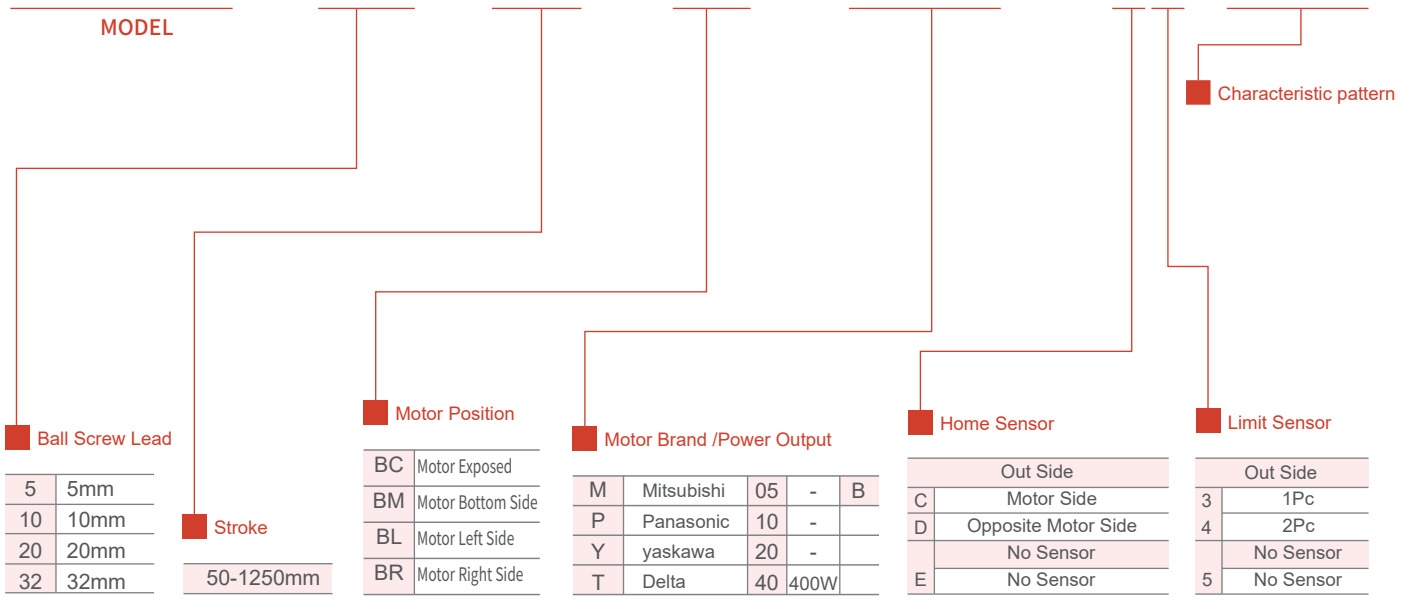
LECH
LECH series

KK
KK series

Maximum Stroke	1250mm	Maximum Speed	1600mm/s	Motor output	400W	Ball Screw	Φ16mm
-----------------------	---------------	----------------------	-----------------	---------------------	-------------	-------------------	--------------

Model naming method

LGTH12 - L5 - 100 - BC - M40B - C4 - 0001



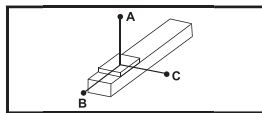
Product parameter

Position repetition accuracy (mm)		±0.01			
Ball Screw Lead (mm)		5	10	20	32
Max. speed(mm/s)		250	500	1000	1600
Max. load(KG)	Max. horizontal load(KG)	110	88	40	30
	Max. vertical load(KG)	33	22	10	8
Standard stroke (mm)		50-1250mm/50mm Pitch			
AC servo motor capacity(W)		400			
Ball Screw (mm)		C7Φ10			
Coupling (mm)		10×14			
Origin inductor	Plug-in	T74N2(NPN)			

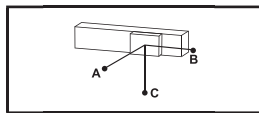
※1 Acceleration and deceleration value is set 0.2 second.

※2 When the stroke is over 800mm, the run-out of the ballscrew will occur. We recommend to low down the working speed under this circumstances. Please refer to instructions on page P15 for details

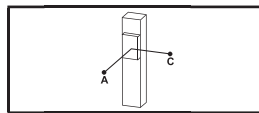
Allowable Overhang



(Unit : mm)



(Unit : mm)



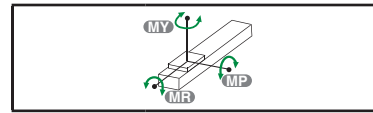
(Unit : mm)

Horizontal Installation	A	B	C
5 Lead	60kg	2850	250 340
	80kg	2100	180 250
	110kg	1500	120 170
10 Lead	30kg	2850	490 600
	50kg	1700	280 350
	88kg	950	140 190
20 Lead	10kg	3400	1250 1400
	22kg	1650	550 620
	40kg	900	290 330
32 Lead	15kg	1100	570 550
	25kg	620	330 320
	30kg	520	270 260

Wall Installation	A	B	C
5 Lead	55kg	280	280 3300
	75kg	200	195 2400
	110kg	130	125 1550
10 Lead	35kg	400	410 2500
	55kg	245	250 1550
	88kg	150	150 950
20 Lead	12kg	900	1070 3000
	20kg	550	630 1800
	40kg	260	300 900
32 Lead	15kg	440	570 1050
	30kg	210	270 520
	-	-	- -

Vertical Installation	A	C
5 Lead	15kg	1200 1200
	22kg	820 820
	33kg	550 550
10 Lead	10kg	1600 1600
	14kg	1150 1150
	22kg	730 730
20 Lead	7kg	1800 1800
	10kg	1250 1250
	-	- -
32 Lead	5kg	1600 1600
	8kg	1000 1000
	-	- -

Static Loading Moment



(Unit : N.m)

MY	606
MP	606
MR	1168

* The torque value in the chart indicate the center of gravity.

* Operation life is 10,000km when the product is using under the specified conditions.

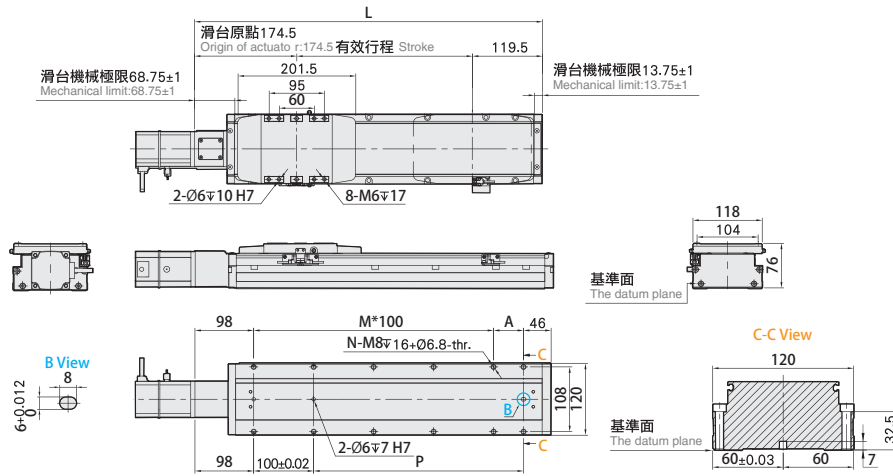
* Data information is not for ceiling-mount inverse use. Contact us for the details if you want to apply ceiling-mount inverse usage.

Suitable Motor Brand

Brand	Mark	Brake	Watt	AC-Voltage	Motor Model	Driver Model
Mitsubishi	M	No Brake (Horizontal Type)	400	220	HG-KR43	MR-J4-40A
		With Brake (Vertical Type)	400	220	HG-KR43B	MR-J4-40A
Panasonic	P	No Brake (Horizontal Type)	400	220	MSMD042G1U	MBDHT2510
		With Brake (Vertical Type)	400	220	MSMD042G1V	MBDHT2510
Delta	T	No Brake (Horizontal Type)	400	220	ECMA-C20604ES	ASD-B20421-B
		With Brake (Vertical Type)	400	220	ECMA-C20604FS	ASD-B20421-B

motor exposed

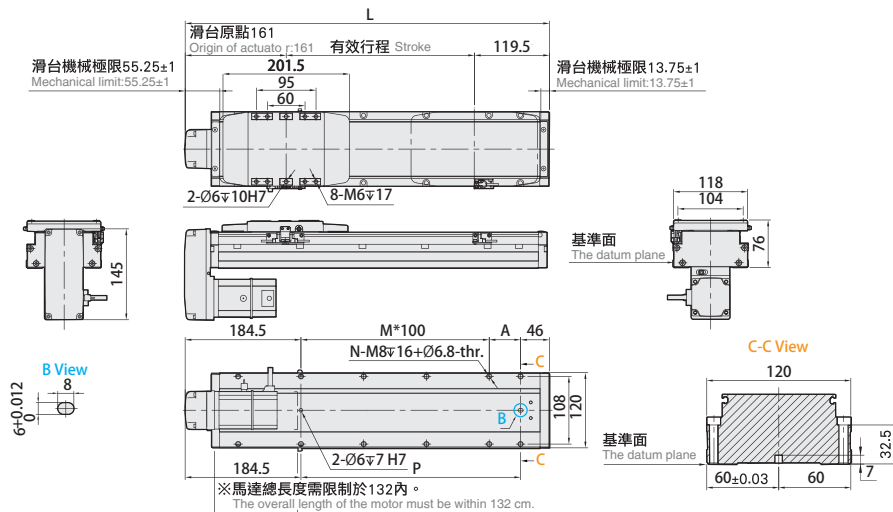
Unit:mm



有效行程 Stroke	50 [*]	100	150	200	250	300	350	400	450	500	550	600	650	700	750	800	850	900	950	1000	1050	1100	1150	1200	1250
L	344	394	444	494	544	594	644	694	744	794	844	894	944	994	1044	1094	1144	1194	1244	1294	1344	1394	1444	1494	1544
A	100	50	100	50	100	50	100	50	100	50	100	50	100	50	100	50	100	50	100	50	100	50	100	50	100
M	1	2	2	3	3	4	4	5	5	6	6	7	7	8	8	9	9	10	10	11	11	12	12	13	13
N	6	8	8	10	10	12	12	14	14	16	16	18	18	20	20	22	22	24	24	26	26	28	28	30	30
P	100	150	200	250	300	350	400	450	500	550	600	650	700	750	800	850	900	950	1000	1050	1100	1150	1200	1250	1300
KG	5.05	5.4	5.75	6.1	6.45	6.8	7.15	7.5	7.85	8.2	8.55	8.9	9.25	9.6	9.95	10.3	10.65	11	11.35	11.7	12.05	12.4	12.75	13.1	13.45

motor bottom side

Unit:mm

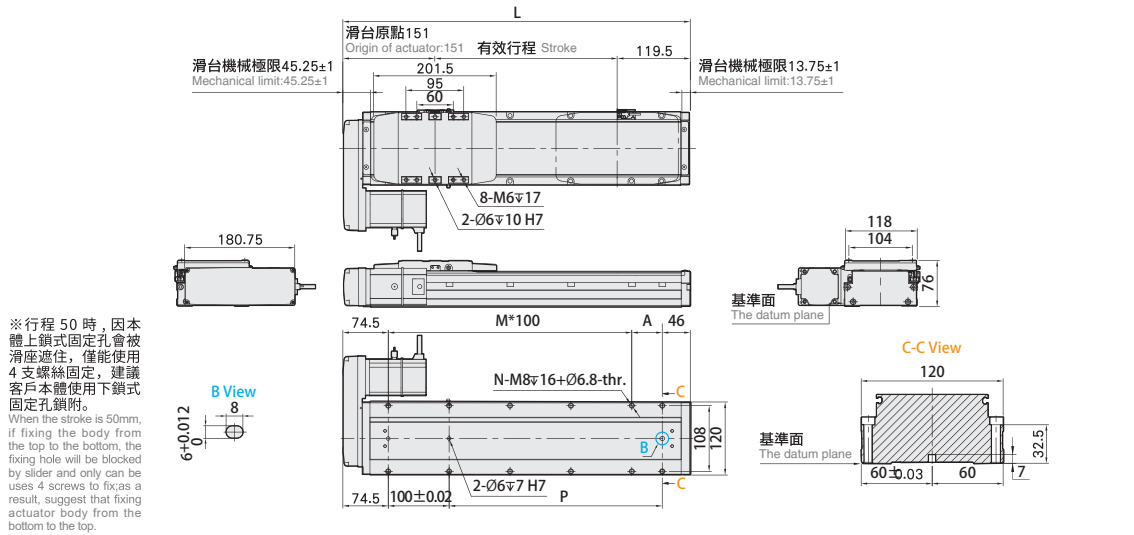


有效行程 Stroke	50 [*]	100	150	200	250	300	350	400	450	500	550	600	650	700	750	800	850	900	950	1000	1050	1100	1150	1200	1250
L	330.5	380.5	430.5	480.5	530.5	580.5	630.5	680.5	730.5	780.5	830.5	880.5	930.5	980.5	1030.5	1080.5	1130.5	1180.5	1230.5	1280.5	1330.5	1380.5	1430.5	1480.5	1530.5
A	100	50	100	50	100	50	100	50	100	50	100	50	100	50	100	50	100	50	100	50	100	50	100	50	100
M	0	1	1	2	2	3	3	4	4	5	5	6	6	7	7	8	8	9	9	10	10	11	11	12	12
N	4	6	6	8	8	10	10	12	12	14	14	16	16	18	18	20	20	22	22	24	24	26	26	28	28
P	100	150	200	250	300	350	400	450	500	550	600	650	700	750	800	850	900	950	1000	1050	1100	1150	1200	1250	1300
KG	5.21	5.56	5.91	6.26	6.61	6.96	7.31	7.66	8.01	8.36	8.71	9.06	9.41	9.76	10.11	10.46	10.81	11.16	11.51	11.86	12.21	12.56	12.91	13.26	13.61

* 馬達下折時, 若選用煞車馬達, 或是超出馬達總長度限制時無法套用標準 PIN 孔, 如有需求請洽我司業務。
When motor with brake assembled on lower side, or the total length over than spec limit, it may not use standard pinhole. Please contact our sales department if you need more information & requirement.

motor left side

Unit:mm

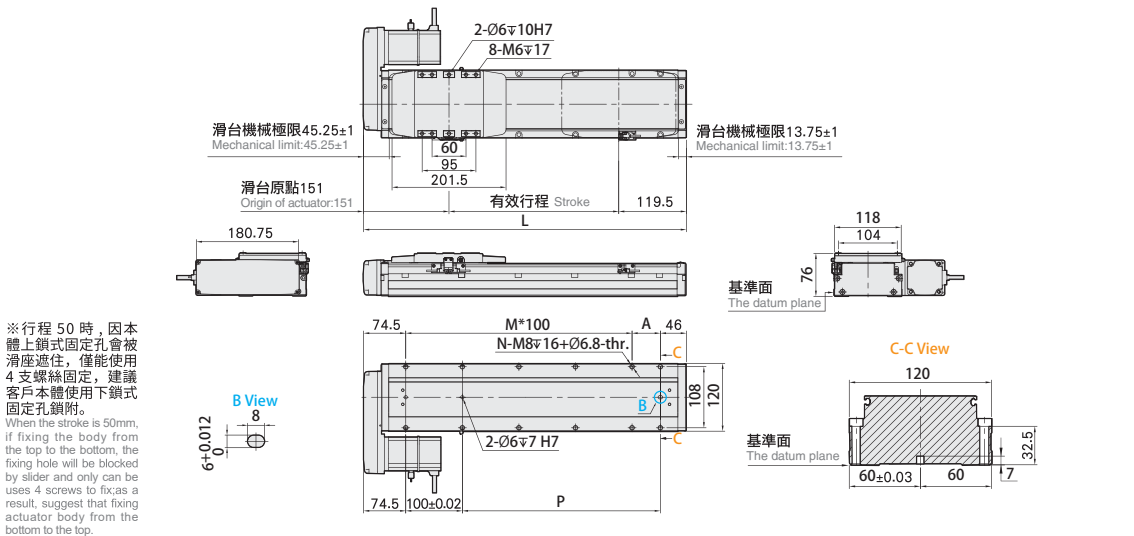


有效行程 Stroke	50 *	100	150	200	250	300	350	400	450	500	550	600	650	700	750	800	850	900	950	1000	1050	1100	1150	1200	1250
L	320.5	370.5	420.5	470.5	520.5	570.5	620.5	670.5	720.5	770.5	820.5	870.5	920.5	970.5	1020.5	1070.5	1120.5	1170.5	1220.5	1270.5	1320.5	1370.5	1420.5	1470.5	1520.5
A	100	50	100	50	100	50	100	50	100	50	100	50	100	50	100	50	100	50	100	50	100	50	100	50	100
M	1	2	2	3	3	4	4	5	5	6	6	7	7	8	8	9	9	10	10	11	11	12	12	13	13
N	6	8	8	10	10	12	12	14	14	16	16	18	18	20	20	22	22	24	24	26	26	28	28	30	30
P	100	150	200	250	300	350	400	450	500	550	600	650	700	750	800	850	900	950	1000	1050	1100	1150	1200	1250	1300
KG	5.25	5.6	5.95	6.3	6.65	7	7.35	7.7	8.05	8.4	8.75	9.1	9.45	9.8	10.15	10.85	11.2	11.55	11.9	12.25	12.6	12.56	12.91	13.26	13.61

※行程 50 時，因本體上鎖式固定孔會被滑座遮住，僅能使用 4 支螺絲固定，建議客戶本體使用下鎖式固定孔鎖附。
When the stroke is 50mm, if fixing the body from the top to the bottom, the fixing hole will be blocked by slider and only can be uses 4 screws to fix; as a result, suggest that fixing actuator body from the bottom to the top.

motor right side

Unit:mm

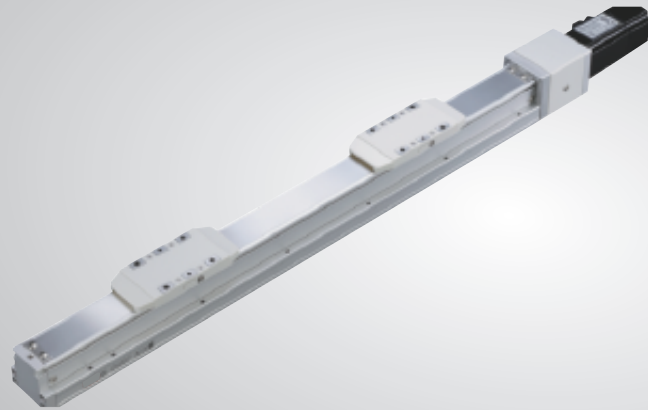


有效行程 Stroke	50 *	100	150	200	250	300	350	400	450	500	550	600	650	700	750	800	850	900	950	1000	1050	1100	1150	1200	1250
L	320.5	370.5	420.5	470.5	520.5	570.5	620.5	670.5	720.5	770.5	820.5	870.5	920.5	970.5	1020.5	1070.5	1120.5	1170.5	1220.5	1270.5	1320.5	1370.5	1420.5	1470.5	1520.5
A	100	50	100	50	100	50	100	50	100	50	100	50	100	50	100	50	100	50	100	50	100	50	100	50	100
M	1	2	2	3	3	4	4	5	5	6	6	7	7	8	8	9	9	10	10	11	11	12	12	13	13
N	6	8	8	10	10	12	12	14	14	16	16	18	18	20	20	22	22	24	24	26	26	28	28	30	30
P	100	150	200	250	300	350	400	450	500	550	600	650	700	750	800	850	900	950	1000	1050	1100	1150	1200	1250	1300
KG	5.25	5.6	5.95	6.3	6.65	7	7.35	7.7	8.05	8.4	8.75	9.1	9.45	9.8	10.15	10.85	11.2	11.55	11.9	12.25	12.6	12.56	12.91	13.26	13.61

※行程 50 時，因本體上鎖式固定孔會被滑座遮住，僅能使用 4 支螺絲固定，建議客戶本體使用下鎖式固定孔鎖附。
When the stroke is 50mm, if fixing the body from the top to the bottom, the fixing hole will be blocked by slider and only can be uses 4 screws to fix; as a result, suggest that fixing actuator body from the bottom to the top.

LGTH5S 1-axis

▶ Track embedding ▶ Screw drive



Maximum Stroke 325mm

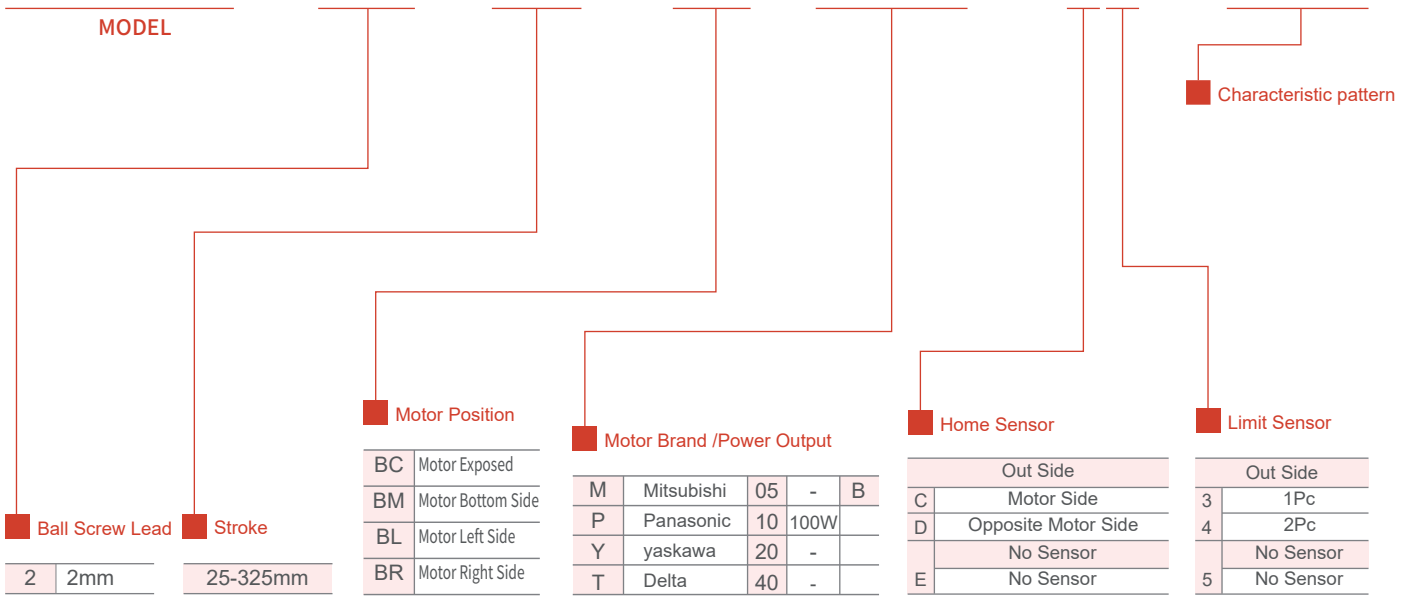
Maximum Speed 100mm/s

Motor output 100W

Ball Screw Φ12mm

Model naming method

LGTH5S - L2 - 100 - BC - M10B - C4 - 0001



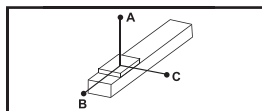
Product parameter

Position repetition accuracy (mm)		±0.01
Ball Screw Lead (mm)		2
Max. speed(mm/s)		100
Max. load(KG)	Max. horizontal load(KG)	30 (Dual carriage)
	Max. vertical load(KG)	10 (Dual carriage)
Rated thrust (N)		854
Standard stroke (mm)		25-325mm/25mm Pitch
AC servo motor capacity(W)		100
Ball Screw (mm)		C7Φ12
Coupling (mm)		7×8
Origin inductor	Plug-in	T74N2(NPN)

※1 Acceleration and deceleration value is set 0.2 second.

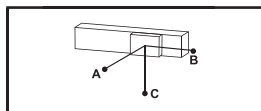
※2 Dual carriage synchronous movement in reverse direction can only fit at lead of 2mm. Please refer to instructions on page P15 for details

Allowable Overhang



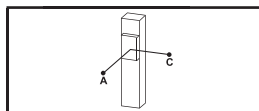
(Unit : mm)

Horizontal Installation		A	B	C
2 Lead	10kg	900	100	135
	20kg	700	45	60
	30kg	550	25	35



(Unit : mm)

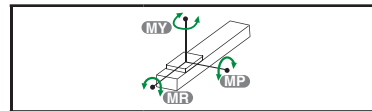
Wall Installation		A	B	C
2 Lead	10kg	135	100	900
	20kg	60	45	700
	30kg	37	27	550



(Unit : mm)

Vertical Installation		A	C
2 Lead	6kg	180	180
	8kg	135	135
	10kg	110	110

Static Loading Moment



(Unit : N.m)

MY	103
MP	103
MR	144

* The torque value in the chart indicate the center of gravity.

* Operation life is 10,000km when the product is using under the specified conditions.

* Data information is not for ceiling-mount inverse use. Contact us for the details if you want to apply ceiling-mount inverse usage.

Suitable Motor Brand

Brand	Mark	Brake	Watt	AC-Voltage	Motor Model	Driver Model
Mitsubishi	M	No Brake (Horizontal Type)	100	220	HG-KR13	MR-J4-10A
		With Brake (Vertical Type)	100	220	HG-KR13B	MR-J4-10A
Panasonic	P	No Brake (Horizontal Type)	100	220	MSMD012G1U	MADHT1505
		With Brake (Vertical Type)	100	220	MSMD012G1V	MADHT1505
Delta	T	No Brake (Horizontal Type)	100	220	ECMA-C20401ES	ASD-B20121-B
		With Brake (Vertical Type)	100	220	ECMA-C20401FS	ASD-B20121-B

LGTH series

LGCH series

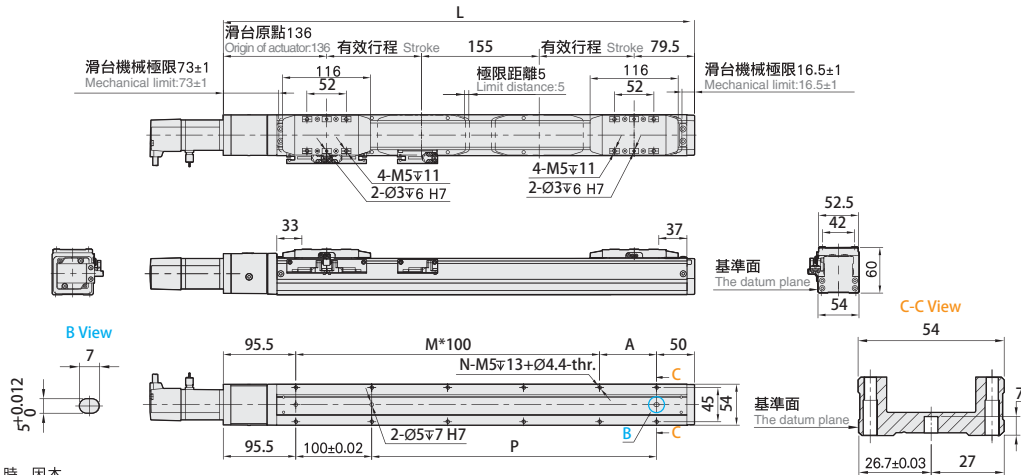
LETH series

LECH series

KK series

motor exposed

Unit:mm

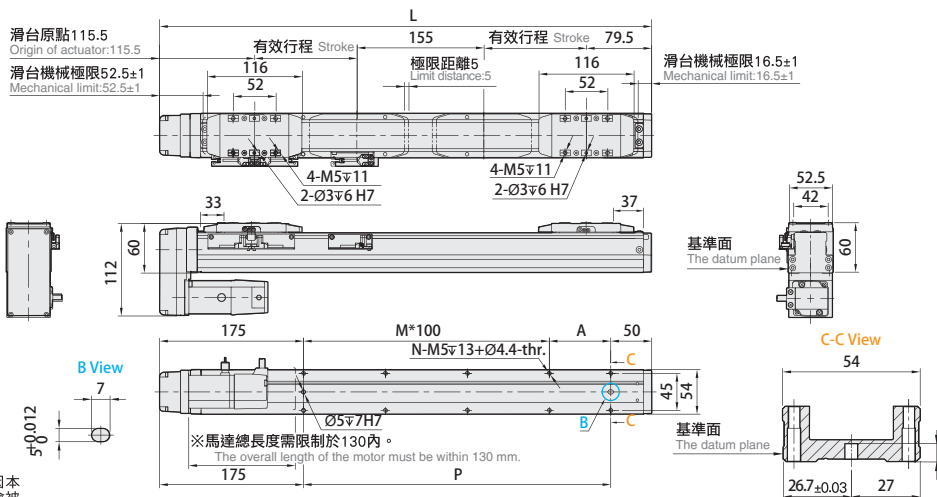


※行程 50 時, 因本體上鎖式固定孔會被滑座遮住, 僅能使用 4 支螺絲固定, 建議客戶本體使用下鎖式固定孔鎖附。
When the stroke is 50mm, if fixing the body from the top to the bottom, the fixing hole will be blocked by slider and only can be uses 4 screws to fix as a result, suggest that fixing actuator body from the bottom to the top.

有效行程 Stroke	25	50*	75	100	125	150	175	200	225	250	275	300	325
L	420.5	470.5	520.5	570.5	620.5	670.5	720.5	770.5	820.5	870.5	920.5	970.5	1020.5
A	75	25	75	25	75	25	75	25	75	25	75	25	75
M	2	3	3	4	4	5	5	6	6	7	7	8	8
N	8	10	10	12	12	14	14	16	16	18	18	20	20
P	175	225	275	325	375	425	475	525	575	625	675	725	775
KG	2.82	3.01	3.21	3.41	3.6	3.8	4	4.19	4.39	4.59	4.78	4.98	5.18

motor bottom side

Unit:mm



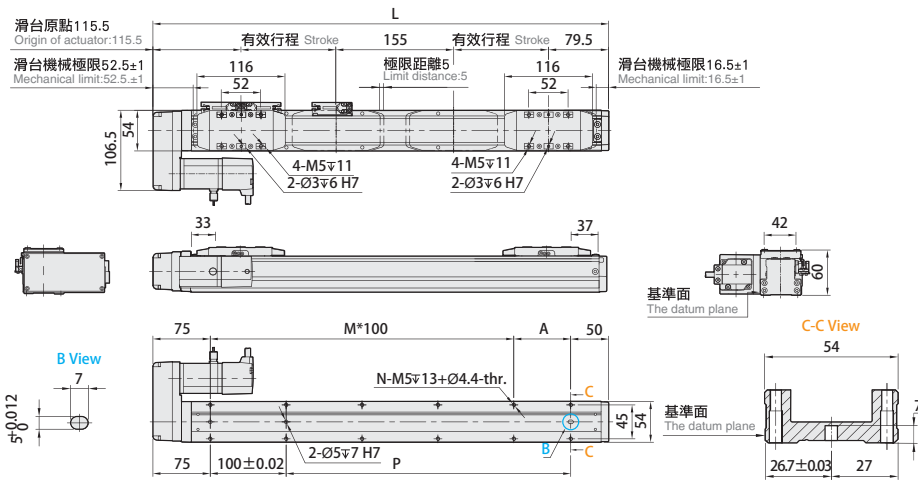
※行程 50 時, 因本體上鎖式固定孔會被滑座遮住, 僅能使用 4 支螺絲固定, 建議客戶本體使用下鎖式固定孔鎖附。
When the stroke is 50mm, if fixing the body from the top to the bottom, the fixing hole will be blocked by slider and only can be uses 4 screws to fix as a result, suggest that fixing actuator body from the bottom to the top.

有效行程 Stroke	25	50*	75	100	125	150	175	200	225	250	275	300	325
L	400	450	500	550	600	650	700	750	800	850	900	950	1000
A	75	25	75	25	75	25	75	25	75	25	75	25	75
M	1	2	2	3	3	4	4	5	5	6	6	7	7
N	6	8	8	10	10	12	12	14	14	16	16	18	18
P	175	225	275	325	375	425	475	525	575	625	675	725	775
KG	2.99	3.18	3.38	3.58	3.77	3.97	4.17	4.36	4.56	4.76	4.95	5.15	5.35

*馬達下折時, 若選用煞車馬達, 或是超出馬達總長度限制時無法套用標準 PIN 孔, 如有需求請洽我司業務。
When motor with brake assembled on lower side, or the total length over than spec limit, it may not use standard pinhole. Please contact our sales department if you need more information & requirement.

motor left side

Unit:mm

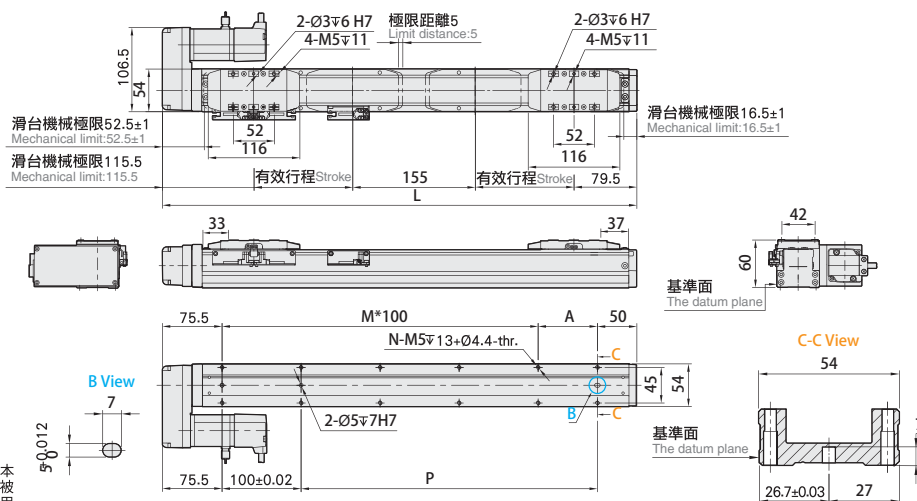


※行程 50 時，因本體上鎖式固定孔會被滑座遮住，僅能使用 4 支螺絲固定，建議客戶本體使用下鎖式固定孔鎖附。
When the stroke is 50mm, if fixing the body from the top to the bottom, the fixing hole will be blocked by slider and only can be uses 4 screws to fix; as a result, suggest that fixing actuator body from the bottom to the top.

有效行程 Stroke	25	50*	75	100	125	150	175	200	225	250	275	300	325
L	400	450	500	550	600	650	700	750	800	850	900	950	1000
A	75	25	75	25	75	25	75	25	75	25	75	25	75
M	2	3	3	4	4	5	5	6	6	7	7	8	8
N	8	10	10	12	12	14	14	16	16	18	18	20	20
P	175	225	275	325	375	425	475	525	575	625	675	725	775
KG	2.99	3.18	3.38	3.58	3.77	3.97	4.17	4.36	4.56	4.76	4.95	5.15	5.35

motor right side

Unit:mm



※行程 50 時，因本體上鎖式固定孔會被滑座遮住，僅能使用 4 支螺絲固定，建議客戶本體使用下鎖式固定孔鎖附。
When the stroke is 50mm, if fixing the body from the top to the bottom, the fixing hole will be blocked by slider and only can be uses 4 screws to fix; as a result, suggest that fixing actuator body from the bottom to the top.

有效行程 Stroke	25	50*	75	100	125	150	175	200	225	250	275	300	325
L	400	450	500	550	600	650	700	750	800	850	900	950	1000
A	75	25	75	25	75	25	75	25	75	25	75	25	75
M	2	3	3	4	4	5	5	6	6	7	7	8	8
N	8	10	10	12	12	14	14	16	16	18	18	20	20
P	175	225	275	325	375	425	475	525	575	625	675	725	775
KG	2.99	3.18	3.38	3.58	3.77	3.97	4.17	4.36	4.56	4.76	4.95	5.15	5.35

LGTH series

LGCH series

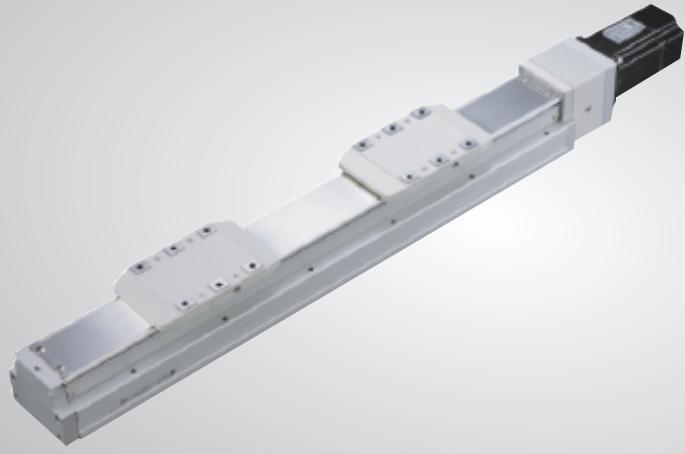
LETH series

LECH series

KK series

LGTH8S 1-axis

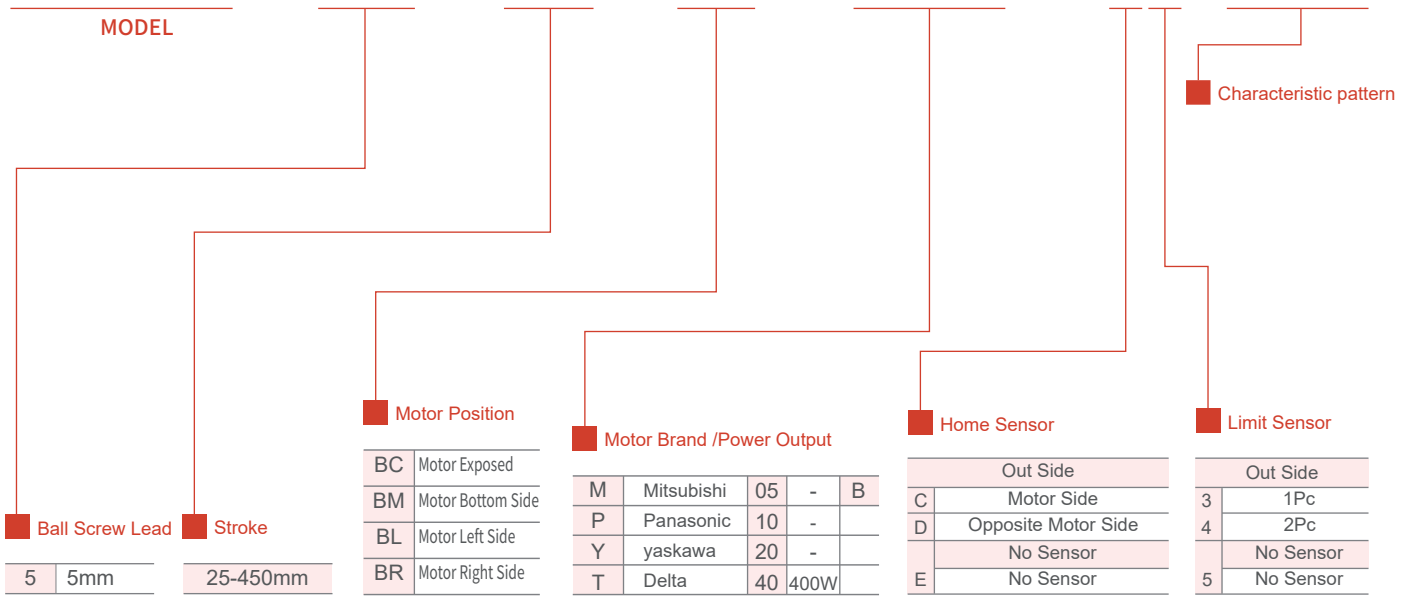
▶ Track embedding ▶ Screw drive



Maximum Stroke	450mm	Maximum Speed	250mm/s	Motor output	400W	Ball Screw	Φ16mm
-----------------------	--------------	----------------------	----------------	---------------------	-------------	-------------------	--------------

Model naming method

LGTH8S - L5 - 100 - BC - M40B - C4 - 0001



Product parameter

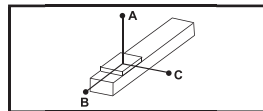
Position repetition accuracy (mm)		±0.01
Ball Screw Lead (mm)		5
Max. speed(mm/s)		250
Max. load(KG)	Max. horizontal load(KG)	50 (Dual carriage)
	Max. vertical load(KG)	15 (Dual carriage)
Rated thrust (N)		1388
Standard stroke (mm)		25-450mm/25mm Pitch
AC servo motor capacity(W)		400
Ball Screw (mm)		C7Φ16
Coupling (mm)		10×14
Origin inductor	Plug-in	T74N2(NPN)

※1 Acceleration and deceleration value is set 0.2 second.

※2 Dual carriage synchronous movement in reverse direction can only fit at lead of 5mm.

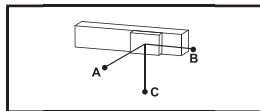
Motor (200W) Shaft Diameter: Panasonic: 11mm; Other: 14mm.

Allowable Overhang



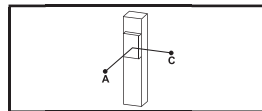
(Unit : mm)

Horizontal Installation		A	B	C
5 Lead	20kg	1560	153	237
	35kg	890	81	126
	50kg	550	53	82



(Unit : mm)

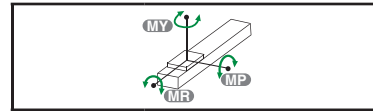
Wall Installation		A	B	C
5 Lead	20kg	214	153	1435
	35kg	113	81	845
	50kg	74	53	506



(Unit : mm)

Vertical Installation		A	C
5 Lead	10kg	331	331
	15kg	220	220
	-	-	-

Static Loading Moment



(Unit : N.m)

MY	318
MP	318
MR	626

* The torque value in the chart indicate the center of gravity.

* Operation life is 10,000km when the product is using under the specified conditions.

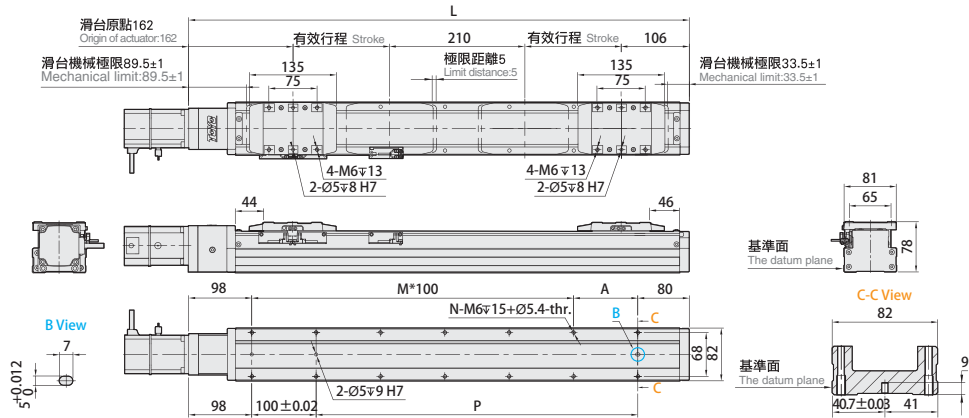
* Data information is not for ceiling-mount inverse use. Contact us for the details if you want to apply ceiling-mount inverse usage.

Suitable Motor Brand

Brand	Mark	Brake	Watt	AC-Voltage	Motor Model	Driver Model
Mitsubishi	M	No Brake (Horizontal Type)	400	220	HG-KR13	MR-J4-10A
		With Brake (Vertical Type)	400	220	HG-KR13B	MR-J4-10A
Panasonic	P	No Brake (Horizontal Type)	400	220	MSMD012G1U	MADHT1505
		With Brake (Vertical Type)	400	220	MSMD012G1V	MADHT1505
Delta	T	No Brake (Horizontal Type)	400	220	ECMA-C20401ES	ASD-B20121-B
		With Brake (Vertical Type)	400	220	ECMA-C20401FS	ASD-B20121-B

motor exposed

Unit:mm

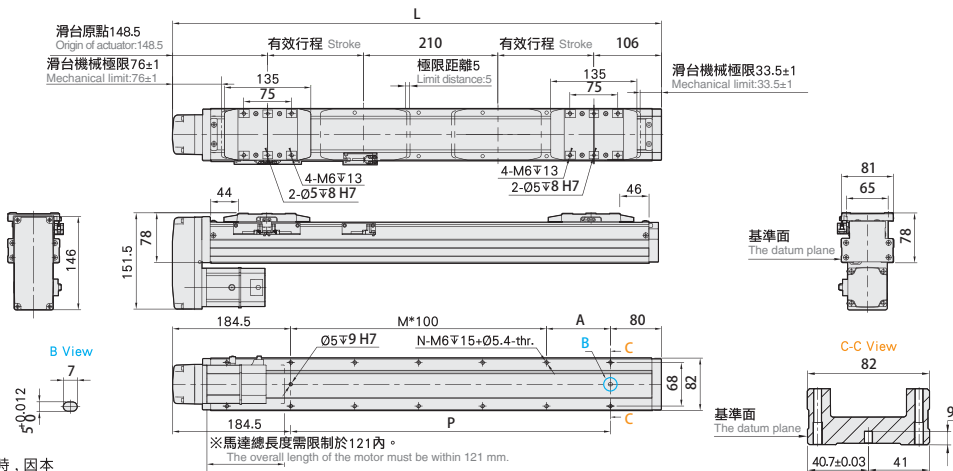


※行程 50 時，因本體上鎖式固定孔會被滑座遮住，僅能使用 4 支螺絲固定，建議客戶本體使用下鎖式固定孔鎖附。
When the stroke is 50mm, if fixing the body from the top to the bottom, the fixing hole will be blocked by slider and only can be uses 4 screws to fix as a result, suggest that fixing actuator body from the bottom to the top.

有效行程 Stroke	25	50※	75	100	125	150	175	200	225	250	275	300	325	350	375	400	425	450
L	528	578	628	678	728	778	828	878	928	978	1028	1078	1128	1178	1228	1278	1328	1378
A	50	100	50	100	50	100	50	100	50	100	50	100	50	100	50	100	50	100
M	3	3	4	4	5	5	6	6	7	7	8	8	9	9	10	10	11	11
N	10	10	12	12	14	14	16	16	18	18	20	20	22	22	24	24	26	26
P	250	300	350	400	450	500	550	600	650	700	750	800	850	900	950	1000	1050	1100
KG	6.64	7.00	7.37	7.73	8.10	8.46	8.83	9.19	9.56	9.92	10.29	10.65	11.02	11.38	11.75	12.11	12.48	12.85

motor bottom side

Unit:mm



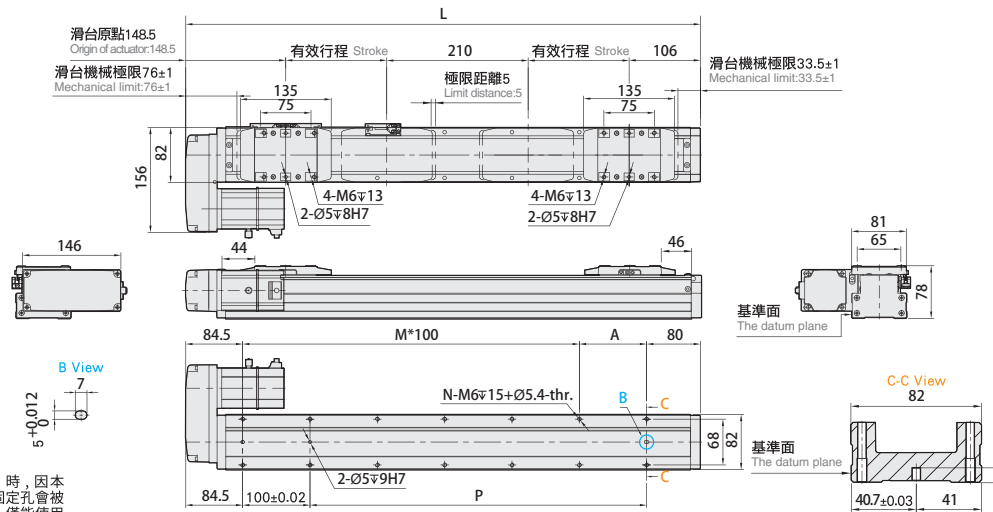
※行程 50 時，因本體上鎖式固定孔會被滑座遮住，僅能使用 4 支螺絲固定，建議客戶本體使用下鎖式固定孔鎖附。
When the stroke is 50mm, if fixing the body from the top to the bottom, the fixing hole will be blocked by slider and only can be uses 4 screws to fix as a result, suggest that fixing actuator body from the bottom to the top.

有效行程 Stroke	25	50※	75	100	125	150	175	200	225	250	275	300	325	350	375	400	425	450
L	514.5	564.5	614.5	664.5	714.5	764.5	814.5	864.5	914.5	964.5	1014.5	1064.5	1114.5	1164.5	1214.5	1264.5	1314.5	1364.5
A	50	100	50	100	50	100	50	100	50	100	50	100	50	100	50	100	50	100
M	2	2	3	3	4	4	5	5	6	6	7	7	8	8	9	9	10	10
N	8	8	10	10	12	12	14	14	16	16	18	18	20	20	22	22	24	24
P	250	300	350	400	450	500	550	600	650	700	750	800	850	900	950	1000	1050	1100
KG	7.16	7.68	8.2	8.72	9.24	9.76	10.28	10.8	11.32	11.84	12.36	12.88	13.4	13.92	14.44	14.96	15.48	16.0

*馬達下折時，若選用煞車馬達，或是超出馬達總長度限制時無法套用標準 PIN 孔，如有需求請洽我司業務。
When motor with brake assembled on lower side, or the total length over than spec limit, it may not use standard pinhole. Please contact our sales department if you need more information & requirement.

motor left side

Unit:mm

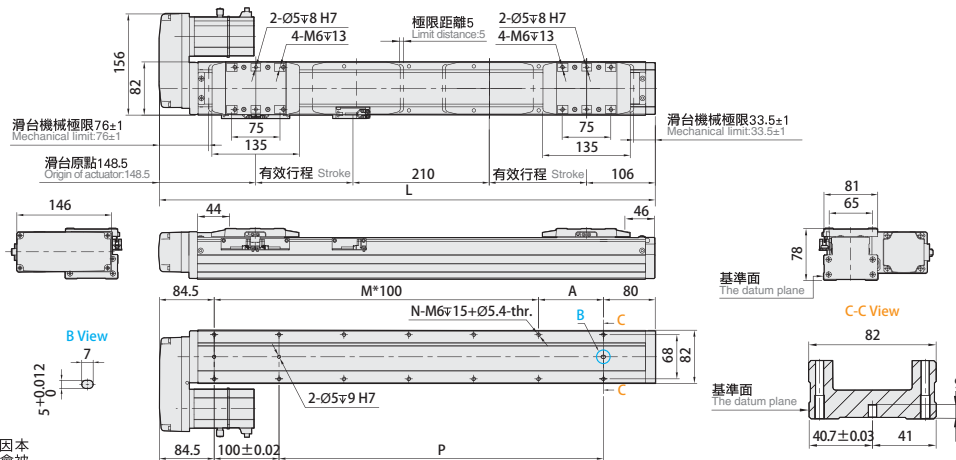


※行程 50 時，因本體上鎖式固定孔會被滑座遮住，僅能使用 4 支螺絲固定，建議客戶本體使用下鎖式固定孔鎖附。
When the stroke is 50mm, if fixing the body from the top to the bottom, the fixing hole will be blocked by slider and only can be uses 4 screws to fix as a result, suggest that fixing actuator body from the bottom to the top.

有效行程 Stroke	25	50*	75	100	125	150	175	200	225	250	275	300	325	350	375	400	425	450
L	514.5	564.5	614.5	664.5	714.5	764.5	814.5	864.5	914.5	964.5	1014.5	1064.5	1114.5	1164.51	1214.5	1264.5	1314.5	1364.5
A	50	100	50	100	50	100	50	100	50	100	50	100	50	100	50	100	50	100
M	3	3	4	4	5	5	6	6	7	7	8	8	9	9	10	10	11	11
N	10	10	12	12	14	14	16	16	18	18	20	20	22	22	24	24	26	26
P	250	300	350	400	450	500	550	600	650	700	750	800	850	900	950	1000	1050	1100
KG	7.16	7.68	8.2	8.72	9.24	9.76	10.28	10.8	11.32	11.84	12.36	12.88	13.4	13.92	14.44	14.96	15.48	12.85

motor right side

Unit:mm



※行程 50 時，因本體上鎖式固定孔會被滑座遮住，僅能使用 4 支螺絲固定，建議客戶本體使用下鎖式固定孔鎖附。
When the stroke is 50mm, if fixing the body from the top to the bottom, the fixing hole will be blocked by slider and only can be uses 4 screws to fix as a result, suggest that fixing actuator body from the bottom to the top.

有效行程 Stroke	25	50*	75	100	125	150	175	200	225	250	275	300	325	350	375	400	425	450
L	514.5	564.5	615.5	664.5	714.5	764.5	814.5	864.5	914.5	964.5	1014.5	1064.5	1114.5	1164.51	1214.5	1264.5	1314.5	1364.5
A	50	100	50	100	50	100	50	100	50	100	50	100	50	100	50	100	50	100
M	3	3	4	4	5	5	6	6	7	7	8	8	9	9	10	10	11	11
N	10	10	12	12	14	14	16	16	18	18	20	20	22	22	24	24	26	26
P	250	300	350	400	450	500	550	600	650	700	750	800	850	900	950	1000	1050	1100
KG	7.16	7.68	8.2	8.72	9.24	9.76	10.28	10.8	11.32	11.84	12.36	12.88	13.4	13.92	14.44	14.96	15.48	12.85

LGTH series

LGCH series

LETH series

LECH series

KK series