

LGCH Series



Clean Room/Built-in Linear Motion Guide Ball Screw Actuator

CONTENTS

Clean Room/Ball Screw

SMALL

LGCH4



44mm
Width
800mm
Max. stroke
25kg
Max. payload

SMALL

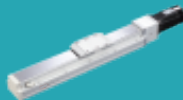
LGCH5



54mm
Width
800mm
Max. stroke
30kg
Max. payload

MEDIUM

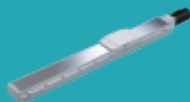
LGCH8



82mm
Width
1100mm
Max. stroke
50kg
Max. payload

MEDIUM

LGCH12



120mm
Width
1250mm
Max. stroke
110kg
Max. payload

Spec Index of Electric Actuator

LGCH clean Room Built-in Linear Motion Guide Ball Screw Actuator

Environment	Driven Mode	Specification	Motor Output (w)	Width(mm)	Repeatability (mm)	Ball Screw Spec		Maximum Payload(kg)		Maximum Speed ^{*1} (mm/s)					
						Outer Diameter(mm)	Lead(mm)	Horizontal	Vertical						
Clean Room	Ball Screw	LGCH4	50W	44	±0.01	10	2	25	8	100					
							6	20	5	300					
							12	12	2	600					
			100W				2	25	8	100					
							6	20	8	300					
							12	12	3.5	600					
		LGCH5	100W	54	±0.01	12	2	30	10	100					
							5	30	10	250					
							10	15	5	500					
							20	10	2.5	1000					
							LGCH8	200W	82	±0.01	16	5	50	15	250
												10	30	8	500
20	18	3	1000												
400W	5	110	33	250											
	10	88	22	500											
	20	40	10	1000											
LGCH12	400W	120	±0.01	16	32	30	8	1600							

*1: The highest speed is based on the maximum servo motor's rpm (3000).

*2: Written here is the standard storke's maximum safe speed. If over this speed, it may casue serious vibration.

LGTH series

LGCH series

LETH series

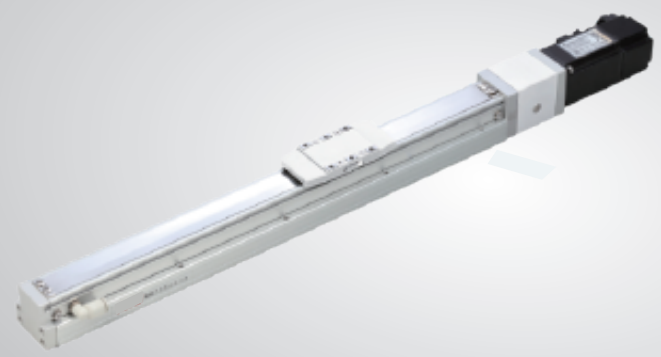
LECH series

KK series

Stroke(mm) & Maximum Speed(mm/s) *2																				Speed					Page					
Stroke	50	100	150	200	250	300	350	400	450	500	550	600	650	700	750	800	850	900	950	1000	1050	1100	1150	1200	1250	1300	1350			
				100								90	80	70	60	50													327	
				300								270	240	210	180	150														
				600								540	480	420	360	300														
				100								90	80	70	60	50														
				300								270	240	210	180	150														
				600								540	480	420	360	300														
				100								90	80	70	60															
				250								270	200	175	150															
				500								450	400	350	300															
				1000								900	800	700	600															
				250												225	200	175	150	125	100	75								
				500												450	400	350	300	250	200	150								
				1000												900	800	700	600	500	400	300								
				250													225	200	175	167	158	150	133	125	117					
				500													450	400	350	333	317	300	267	250	233					
				1000													900	800	700	667	633	600	533	500	467					
				1600													1440	1280	1120	1067	1013	900	853	800	747					

LGCH4 1-axis

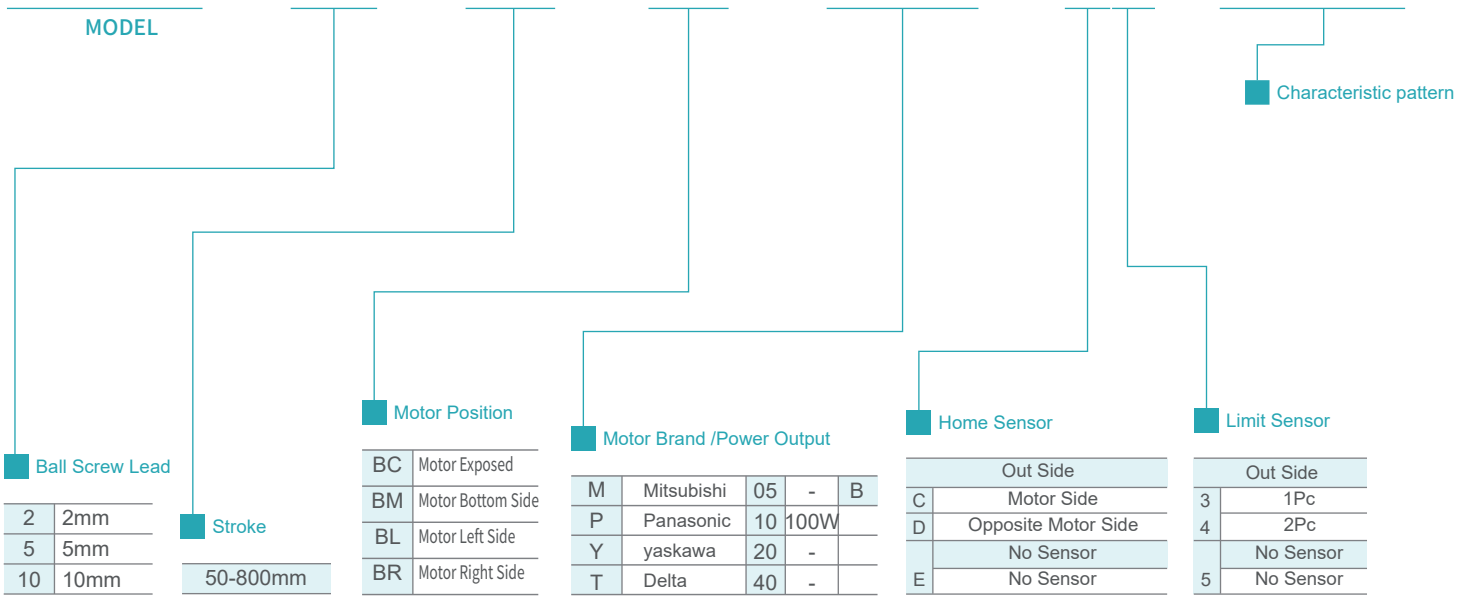
▶ Track embedding ▶ Screw drive



Maximum Stroke	800mm	Maximum Speed	600mm/s	Motor output	100W	Ball Screw	Φ10mm
-----------------------	--------------	----------------------	----------------	---------------------	-------------	-------------------	--------------

Model naming method

LGCH4 - L2 - 100 - BC - M10B - C4 - 0001



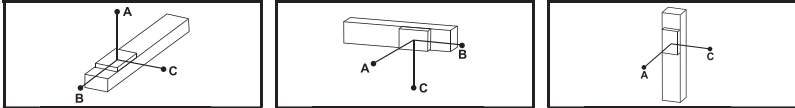
Product parameter

Position repetition accuracy (mm)		±0.01		
Ball Screw Lead (mm)		2	5	10
Max. speed(mm/s)		100	250	500
Max. load(KG)	Max. horizontal load(KG)	25	20	12
	Max. vertical load(KG)	8	8	3.5
Standard stroke (mm)		50-800mm/50mm Pitch		
AC servo motor capacity(W)		100		
Ball Screw (mm)		C7Φ10		
Coupling (mm)		7×8		
Origin inductor	Plug-in	T74N2(NPN)		

※1 Acceleration and deacceleration value is set 0.2 second.

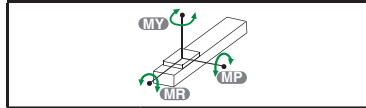
※2 When the stroke is over 550mm, the run-out of the ballscrew will occur. We recommend to low down the working speed under this circumstances. Please refer to the instructions on page P43 for details

Allowable Overhang



Horizontal Installation (Unit: mm)				Wall Installation (Unit: mm)				Vertical Installation (Unit: mm)			
	Lead	A	B	Lead	A	B	C	Lead	A	C	
2	12kg	1000	55	80	12kg	80	55	1000	4kg	195	195
	18kg	750	35	50	18kg	50	35	750	8kg	100	100
	25kg	500	23	32	25kg	32	23	500	-	-	-
6	10kg	550	53	70	10kg	72	52	550	3kg	150	150
	15kg	350	32	45	15kg	45	32	345	5kg	75	75
	20kg	250	22	31	20kg	31	22	250	-	-	-
12	8kg	305	59	75	8kg	75	59	300	1.5kg	260	260
	10kg	240	45	57	10kg	58	45	240	2kg	150	150
	12kg	195	37	47	12kg	47	37	190	-	-	-

Static Loading Moment



	(Unit: N.m)
MY	79
MP	79
MR	116

* The torque value in the chart indicate the center of gravity.

* Operation life is 10,000km when the product is using under the specified conditions.

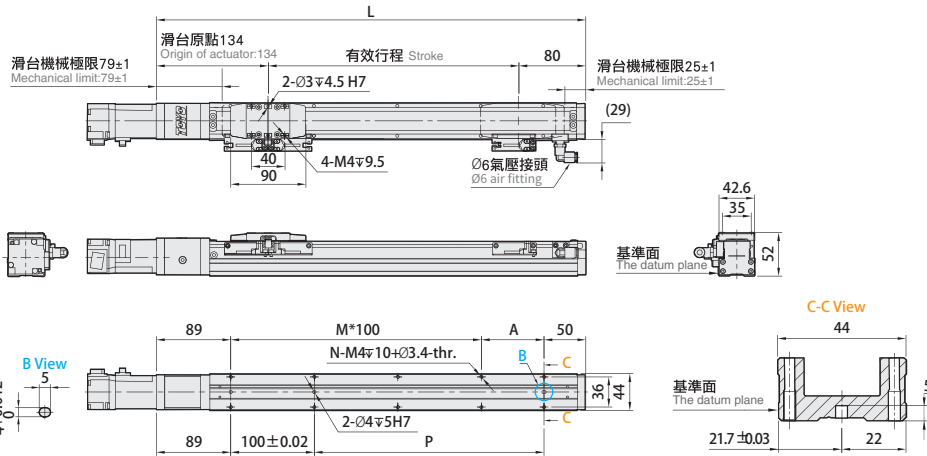
* Data information is not for ceiling-mount inverse use. Contact us for the details if you want to apply ceiling-mount inverse usage.

Suitable Motor Brand

Brand	Mark	Brake	Watt	AC-Voltage	Motor Model	Driver Model
Mitsubishi	M	No Brake (Horizontal Type)	100	220	HG-KR13	MR-J4-10A
		With Brake (Vertical Type)	100	220	HG-KR13B	MR-J4-10A
Panasonic	P	No Brake (Horizontal Type)	100	220	MSMD012G1U	MADHT1505
		With Brake (Vertical Type)	100	220	MSMD012G1V	MADHT1505
Delta	T	No Brake (Horizontal Type)	100	220	ECMA-C20401ES	ASD-B20121-B
		With Brake (Vertical Type)	100	220	ECMA-C20401FS	ASD-B20121-B

motor exposed

Unit:mm



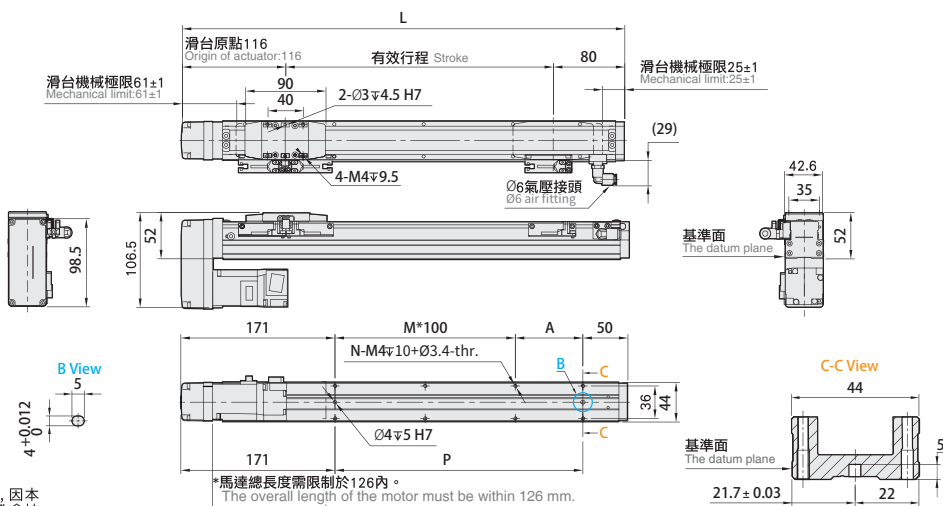
※行程 50 時，因本體上鎖式固定孔會被滑座遮住，僅能使用 4 支螺絲固定，建議客戶本體使用下鎖式固定孔鎖附。

When the stroke is 50mm, if fixing the body from the top to the bottom, the fixing hole will be blocked by slider and only can be uses 4 screws to fix as a result, suggest that fixing actuator body from the bottom to the top.

有效行程 Stroke	50	100	150	200	250	300	350	400	450	500	550	600	650	700	750	800
L	264	314	364	414	464	514	564	614	664	714	764	814	864	914	964	1014
A	25	75	125	175	225	275	325	375	425	475	525	575	625	675	725	775
M	1	2	2	3	3	4	4	4	5	5	6	6	7	7	8	8
N	6	6	8	8	10	10	12	12	14	14	16	16	18	18	20	20
P	25	75	125	175	225	275	325	375	425	475	525	575	625	675	725	775
KG	1.23	1.41	1.59	1.77	1.95	2.13	2.31	2.49	2.67	2.85	3.03	3.21	3.39	3.57	3.75	3.93

motor bottom side

Unit:mm



※行程 50 時，因本體上鎖式固定孔會被滑座遮住，僅能使用 4 支螺絲固定，建議客戶本體使用下鎖式固定孔鎖附。

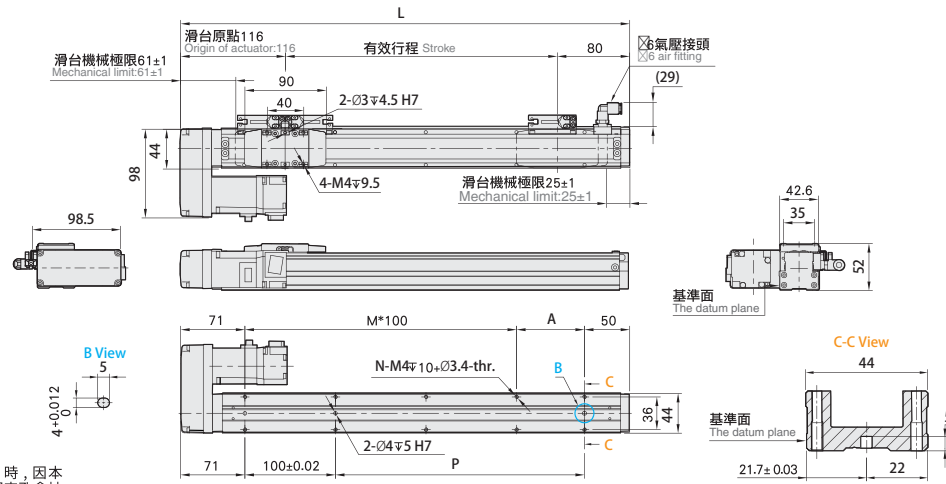
When the stroke is 50mm, if fixing the body from the top to the bottom, the fixing hole will be blocked by slider and only can be uses 4 screws to fix as a result, suggest that fixing actuator body from the bottom to the top.

有效行程 Stroke	50	100	150	200	250	300	350	400	450	500	550	600	650	700	750	800
L	246	296	346	396	446	496	546	596	646	696	746	796	846	896	946	996
A	25	75	125	175	225	275	325	375	425	475	525	575	625	675	725	775
M	0	0	1	1	2	2	3	3	4	4	5	5	6	6	7	7
N	4	4	6	6	8	8	10	10	12	12	14	14	16	16	18	18
P	25	75	125	175	225	275	325	375	425	475	525	575	625	675	725	775
KG	1.34	1.52	1.70	1.88	2.06	2.24	2.42	2.60	2.78	2.96	3.14	3.32	3.50	3.68	3.86	4.04

*馬達下折時，若選用煞車馬達，或是超出馬達總長度限制時無法套用標準 PIN 孔，如有需求請給我司業務。
When motor with brake assembled on lower side, or the total length over than spec limit, it may not use standard pinhole. Please contact our sales department if you need more information & requirement.

motor left side

Unit:mm



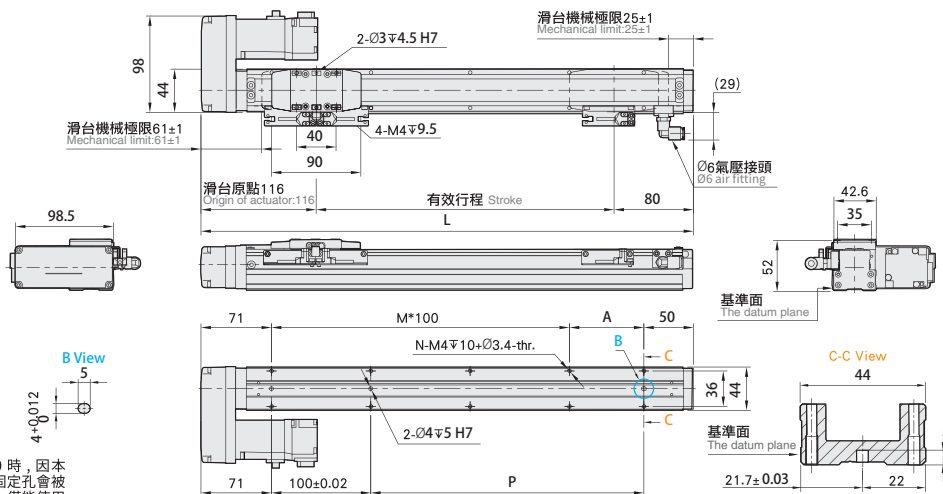
※行程 50 時，因本體上鎖式固定孔會被滑座遮住，僅能使用 4 支螺絲固定，建議客戶本體使用下鎖式固定孔鎖附。

When the stroke is 50mm, if fixing the body from the top to the bottom, the fixing hole will be blocked by slider and only can be uses 4 screws to fix; as a result, suggest that fixing actuator body from the bottom to the top.

有效行程 Stroke	50	100	150	200	250	300	350	400	450	500	550	600	650	700	750	800
L	246	296	346	396	446	496	546	596	646	696	746	796	846	896	946	996
A	25	75	25	75	25	75	25	75	25	75	25	75	25	75	25	75
M	1	1	2	2	3	3	4	4	5	5	6	6	7	7	8	8
N	6	6	8	8	10	10	12	12	14	14	16	16	18	18	20	20
P	25	75	125	175	225	275	325	375	425	475	525	575	625	675	725	775
KG	1.34	1.52	1.70	1.88	2.06	2.24	2.42	2.60	2.78	2.96	3.14	3.32	3.50	3.68	3.86	4.04

motor right side

Unit:mm



※行程 50 時，因本體上鎖式固定孔會被滑座遮住，僅能使用 4 支螺絲固定，建議客戶本體使用下鎖式固定孔鎖附。

When the stroke is 50mm, if fixing the body from the top to the bottom, the fixing hole will be blocked by slider and only can be uses 4 screws to fix; as a result, suggest that fixing actuator body from the bottom to the top.

有效行程 Stroke	50	100	150	200	250	300	350	400	450	500	550	600	650	700	750	800
L	246	296	346	396	446	496	546	596	646	696	746	796	846	896	946	996
A	25	75	25	75	25	75	25	75	25	75	25	75	25	75	25	75
M	1	1	2	2	3	3	4	4	5	5	6	6	7	7	8	8
N	6	6	8	8	10	10	12	12	14	14	16	16	18	18	20	20
P	25	75	125	175	225	275	325	375	425	475	525	575	625	675	725	775
KG	1.34	1.52	1.70	1.88	2.06	2.24	2.42	2.60	2.78	2.96	3.14	3.32	3.50	3.68	3.86	4.04

LGTH series

LGCH series

LETH series

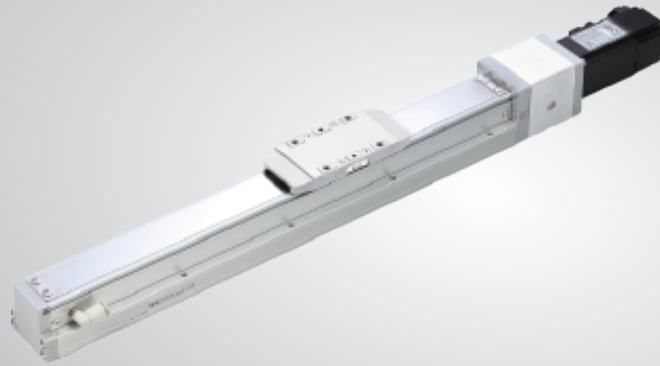
LECH series

KK series

LGCH5 1-axis

▶ Track embedding

▶ Screw drive



Maximum Stroke 800mm

Maximum Speed 1000mm/s

Motor output 100W

Ball Screw Φ 12mm

Model naming method

LGCH5 - L5 - 100 - BC - M10B - C4 - 0001

MODEL

Characteristic pattern

Ball Screw Lead

5	5mm
10	10mm
20	20mm

Stroke

50-800mm

Motor Position

BC	Motor Exposed
BM	Motor Bottom Side
BL	Motor Left Side
BR	Motor Right Side

Motor Brand /Power Output

M	Mitsubishi	05	-	B
P	Panasonic	10	100W	
Y	yaskawa	20	-	
T	Delta	40	-	

Home Sensor

	Out Side
C	Motor Side
D	Opposite Motor Side
	No Sensor
E	No Sensor

Limit Sensor

	Out Side
3	1Pc
4	2Pc
	No Sensor
5	No Sensor

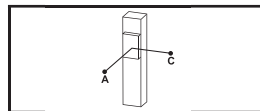
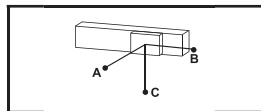
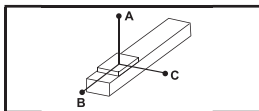
Product parameter

Position repetition accuracy (mm)		±0.01		
Ball Screw Lead (mm)		5	10	20
Max. speed(mm/s)		250	500	1000
Max. load(KG)	Max. horizontal load(KG)	30	15	10
	Max. vertical load(KG)	10	5	2.5
Rated thrust (N)		341	170	85
Standard stroke (mm)		50-800mm/50mm Pitch		
AC servo motor capacity(W)		100		
Ball Screw (mm)		C7Φ12		
Coupling (mm)		7×8		
Origin inductor	Plug-in	T74N2(NPN)		

※1 Acceleration and deceleration value is set 0.2 second.

※2 When the stroke is over 600mm, the run-out of the ballscrew will occur. We recommend to low down the working speed under this circumstances. Please refer to the instructions on page P43 for details

Allowable Overhang



(Unit: mm)

Horizontal Installation	A	B	C
2 Lead	10kg	900	100 135
	20kg	700	45 60
	30kg	550	25 35
5 Lead	10kg	650	75 100
	20kg	440	32 45
	30kg	270	19 25
10 Lead	5kg	600	145 185
	10kg	370	70 85
	15kg	250	42 52
20 Lead	5kg	320	120 130
	8kg	220	70 80
	10kg	175	55 60

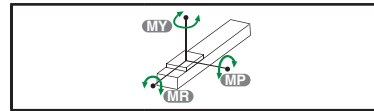
(Unit: mm)

Wall Installation	A	B	C
2 Lead	10kg	135	100 900
	20kg	60	45 700
	30kg	37	27 550
5 Lead	10kg	100	75 650
	20kg	45	32 420
	30kg	25	19 260
10 Lead	5kg	180	145 600
	10kg	85	68 370
	15kg	52	42 250
20 Lead	5kg	130	120 320
	8kg	75	70 220
	10kg	60	55 170

(Unit: mm)

Vertical Installation	A	C
2 Lead	6kg	180 180
	8kg	135 135
	10kg	110 110
5 Lead	6kg	145 145
	8kg	110 110
	10kg	90 90
10 Lead	1kg	800 800
	3kg	260 260
	5kg	155 155
20 Lead	1kg	600 600
	2kg	300 300
	2.5kg	250 250

Static Loading Moment



(Unit: N.m)

MY	103
MP	103
MR	144

* The torque value in the chart indicate the center of gravity.

* Operation life is 10,000km when the product is using under the specified conditions.

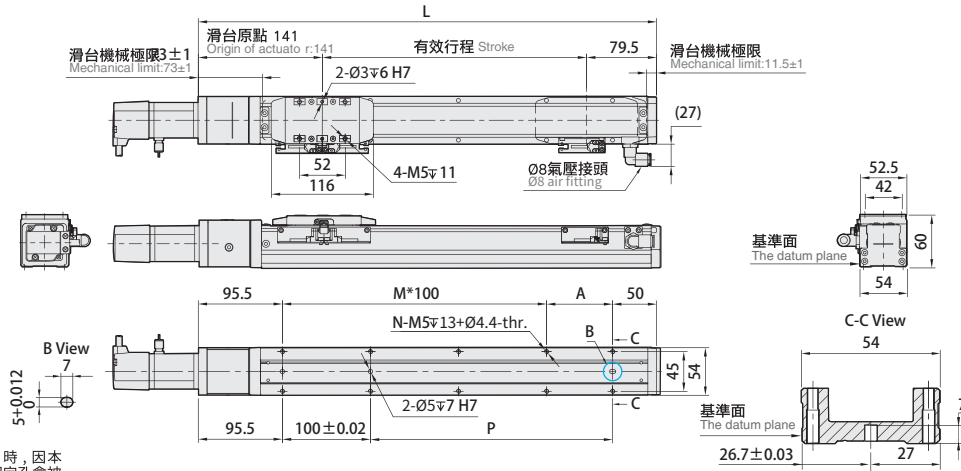
* Data information is not for ceiling-mount inverse use. Contact us for the details if you want to apply ceiling-mount inverse usage.

Suitable Motor Brand

Brand	Mark	Brake	Watt	AC-Voltage	Motor Model	Driver Model
Mitsubishi	M	No Brake (Horizontal Type)	100	220	HG-KR13	MR-J4-10A
		With Brake (Vertical Type)	100	220	HG-KR13B	MR-J4-10A
Panasonic	P	No Brake (Horizontal Type)	100	220	MSMD012G1U	MADHT1505
		With Brake (Vertical Type)	100	220	MSMD012G1V	MADHT1505
Delta	T	No Brake (Horizontal Type)	100	220	ECMA-C20401ES	ASD-B20121-B
		With Brake (Vertical Type)	100	220	ECMA-C20401FS	ASD-B20121-B

motor exposed

Unit:mm

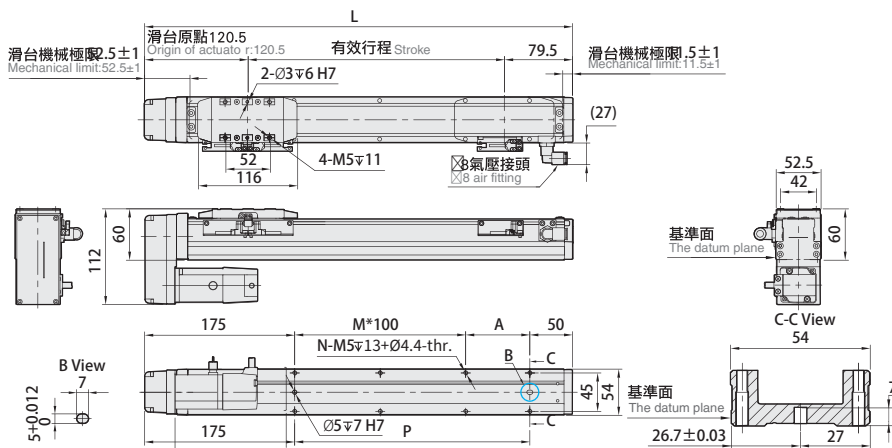


※行程 50 時，因本體上鎖式固定孔會被滑座遮住，僅能使用 4 支螺絲固定，建議客戶本體使用下鎖式固定孔鎖附。
When the stroke is 50mm, if fixing the body from the top to the bottom, the fixing hole will be blocked by slider and only can be uses 4 screws to fix; as a result, suggest that fixing actuator body from the bottom to the top.

有效行程 Stroke	50*	100	150	200	250	300	350	400	450	500	550	600	650	700	750	800
L	270.5	320.5	370.5	420.5	470.5	520.5	570.5	620.5	670.5	720.5	770.5	820.5	870.5	920.5	970.5	1020.5
A	25	75	25	75	25	75	25	75	25	75	25	75	25	75	25	75
M	1	1	2	2	3	3	4	4	5	5	6	6	7	7	8	8
N	6	6	8	8	10	10	12	12	14	14	16	16	18	18	20	20
P	25	75	125	175	225	275	325	375	425	475	525	575	625	675	725	775
KG	1.95	2.09	2.22	2.41	2.69	2.80	2.82	3.05	3.16	3.25	3.45	3.58	3.74	3.88	4.01	4.39

motor bottom side

Unit:mm



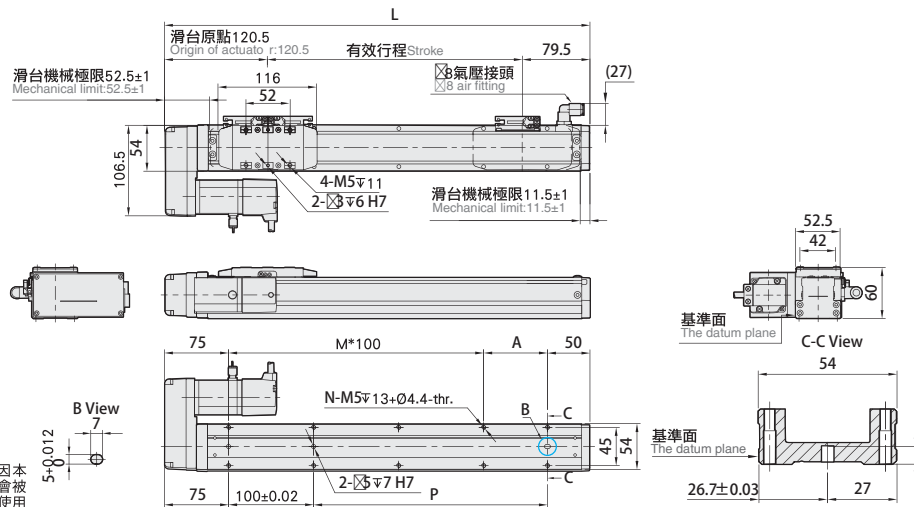
※行程 50 時，因本體上鎖式固定孔會被滑座遮住，僅能使用 4 支螺絲固定，建議客戶本體使用下鎖式固定孔鎖附。
When the stroke is 50mm, if fixing the body from the top to the bottom, the fixing hole will be blocked by slider and only can be uses 4 screws to fix; as a result, suggest that fixing actuator body from the bottom to the top.

有效行程 Stroke	50*	100	150	200	250	300	350	400	450	500	550	600	650	700	750	800
L	250	300	350	400	450	500	550	600	650	700	750	800	850	900	950	1000
A	25	75	25	75	25	75	25	75	25	75	25	75	25	75	25	75
M	0	0	1	1	2	2	3	3	4	4	5	5	6	6	7	7
N	4	4	6	6	8	8	10	10	12	12	14	14	16	16	18	18
P	25	75	125	175	225	275	325	375	425	475	525	575	625	675	725	775
KG	1.98	2.01	2.33	2.44	2.72	2.83	2.88	3.08	3.19	3.28	3.48	3.61	3.77	3.90	4.04	4.42

*馬達下折時，若選用煞車馬達，或是超出馬達總長度限制時無法套用標準 PIN 孔，如有需求請洽我司業務。
When motor with brake assembled on lower side, or the total length over than spec limit, it may not use standard pinhole. Please contact our sales department if you need more information & requirement.

motor left side

Unit:mm

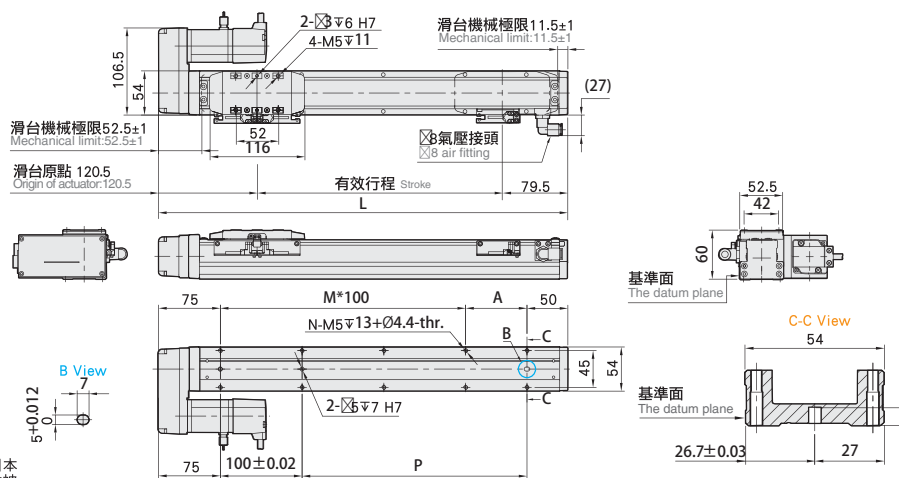


※行程 50 時，因本體上鎖式固定孔會被滑座遮住，僅能使用 4 支螺絲固定，建議客戶本體使用下鎖式固定孔鎖附。
When the stroke is 50mm, if fixing the body from the top to the bottom, the fixing hole will be blocked by slider and only can be uses 4 screws to fix; as a result, suggest that fixing actuator body from the bottom to the top.

有效行程 Stroke	50*	100	150	200	250	300	350	400	450	500	550	600	650	700	750	800
L	250	300	350	400	450	500	550	600	650	700	750	800	850	900	950	1000
A	25	75	25	75	25	75	25	75	25	75	25	75	25	75	25	75
M	1	1	2	2	3	3	4	4	5	5	6	6	7	7	8	8
N	6	6	8	8	10	10	12	12	14	14	16	16	18	18	20	20
P	25	75	125	175	225	275	325	375	425	475	525	575	625	675	725	775
KG	1.98	2.01	2.33	2.44	2.72	2.83	2.88	3.08	3.19	3.28	3.48	3.61	3.77	3.90	4.04	4.42

motor right side

Unit:mm

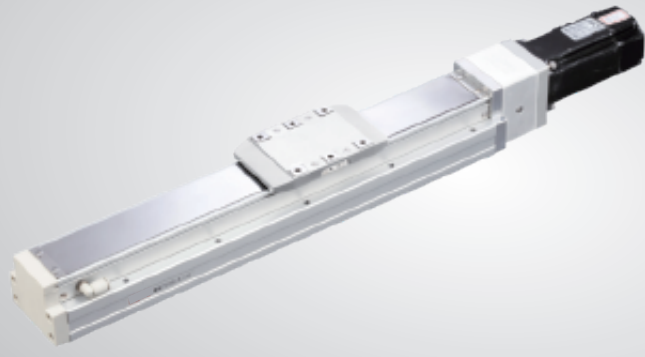


※行程 50 時，因本體上鎖式固定孔會被滑座遮住，僅能使用 4 支螺絲固定，建議客戶本體使用下鎖式固定孔鎖附。
When the stroke is 50mm, if fixing the body from the top to the bottom, the fixing hole will be blocked by slider and only can be uses 4 screws to fix; as a result, suggest that fixing actuator body from the bottom to the top.

有效行程 Stroke	50*	100	150	200	250	300	350	400	450	500	550	600	650	700	750	800
L	250	300	350	400	450	500	550	600	650	700	750	800	850	900	950	1000
A	25	75	25	75	25	75	25	75	25	75	25	75	25	75	25	75
M	1	1	2	2	3	3	4	4	5	5	6	6	7	7	8	8
N	6	6	8	8	10	10	12	12	14	14	16	16	18	18	20	20
P	25	75	125	175	225	275	325	375	425	475	525	575	625	675	725	775
KG	1.98	2.01	2.33	2.44	2.72	2.83	2.88	3.08	3.19	3.28	3.48	3.61	3.77	3.90	4.04	4.42

LGCH8 1-axis

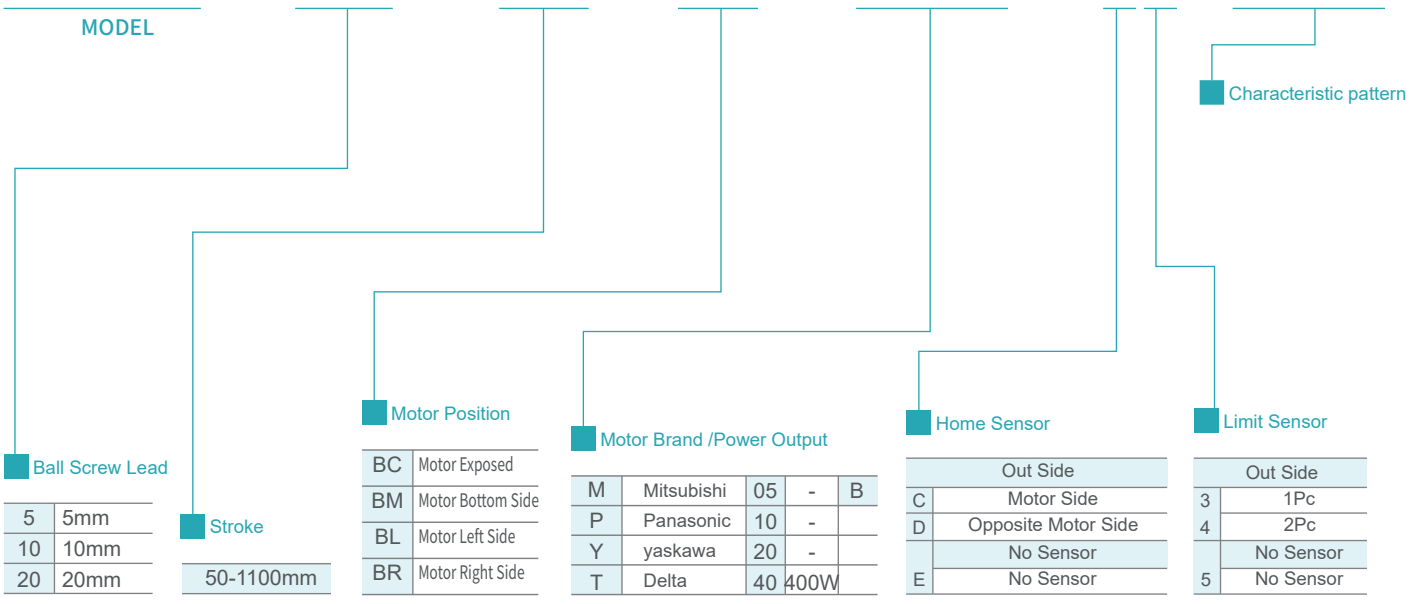
▶ Track embedding ▶ Screw drive



Maximum Stroke	1100mm	Maximum Speed	1000mm/s	Motor output	400W	Ball Screw	Φ16mm
-----------------------	---------------	----------------------	-----------------	---------------------	-------------	-------------------	--------------

Model naming method

LGCH8 - L10 - 100 - BC - M40B - C4 - 0001



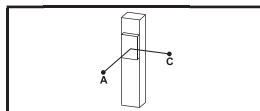
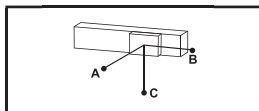
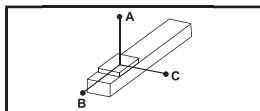
Product parameter

Position repetition accuracy (mm)		±0.01		
Ball Screw Lead (mm)		50	10	20
Max. speed(mm/s)		250	500	1000
Max. load(KG)	Max. horizontal load(KG)	50	30	18
	Max. vertical load(KG)	15	8	3
Rated thrust (N)		683	341	174
Standard stroke (mm)		50-1100mm/50mm Pitch		
AC servo motor capacity(W)		400		
Ball Screw (mm)		C7Φ16		
Coupling (mm)		10×14		
Origin inductor	Plug-in	T74N2(NPN)		

※1 Acceleration and deceleration value is set 0.2 second.

※2 When the stroke is over 750mm, the run-out of the ballscrew will occur.We recommend to low down the working speed under this circumstances. Please refer to the instructions on page P43 for details

Allowable Overhang



(Unit: mm)

Horizontal Installation		A	B	C
5 Lead	20kg	1560	153	237
	35kg	890	81	126
	50kg	550	53	82
10 Lead	10kg	1730	286	412
	20kg	839	136	196
	30kg	541	86	124
20 Lead	6kg	1213	403	493
	9kg	800	264	323
	18kg	592	194	238

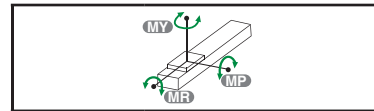
(Unit: mm)

Wall Installation		A	B	C
5 Lead	20kg	214	153	1435
	35kg	113	81	845
	50kg	74	53	506
10 Lead	10kg	370	286	1400
	20kg	176	136	800
	30kg	112	86	495
20 Lead	6kg	444	403	760
	9kg	292	264	277
	18kg	214	194	544

(Unit: mm)

Vertical Installation		A	C
5 Lead	10kg	331	331
	15kg	220	220
	-	-	-
10 Lead	5kg	589	589
	8kg	368	368
	-	-	-
20 Lead	3kg	935	935
	-	-	-
	-	-	-

Static Loading Moment



(Unit: N.m)

MY	318
MP	318
MR	626

* The torque value in the chart indicate the center of gravity.

* Operation life is 10,000km when the product is using under the specified conditions.

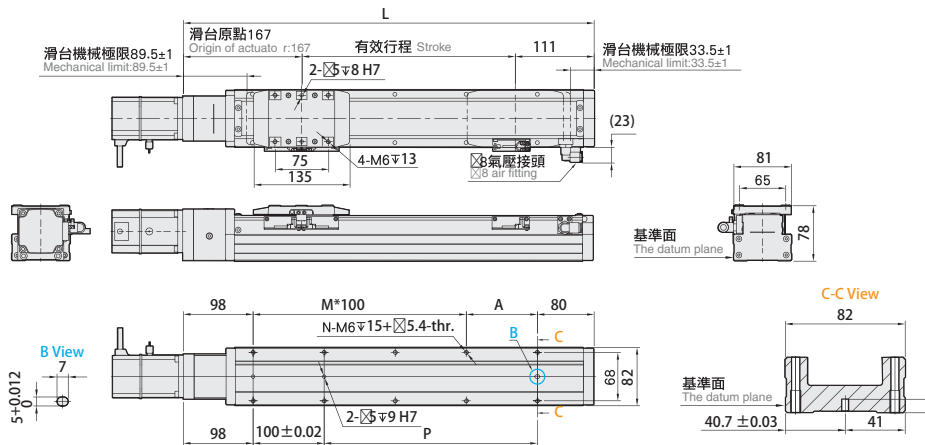
* Data information is not for ceiling-mount inverse use. Contact us for the details if you want to apply ceiling-mount inverse usage.

Suitable Motor Brand

Brand	Mark	Brake	Watt	AC-Voltage	Motor Model	Driver Model
Mitsubishi	M	No Brake (Horizontal Type)	400	220	HG-KR43	MR-J4-40A
		With Brake (Vertical Type)	400	220	HG-KR43B	MR-J4-40A
Panasonic	P	No Brake (Horizontal Type)	400	220	MHMD042G1U	MBDHT2510
		With Brake (Vertical Type)	400	220	MHMD042G1V	MBDHT2510
Delta	T	No Brake (Horizontal Type)	400	220	ECMA-C20604ES	ASD-B20421-B
		With Brake (Vertical Type)	400	220	ECMA-C20604FS	ASD-B20421-B

motor exposed

Unit:mm

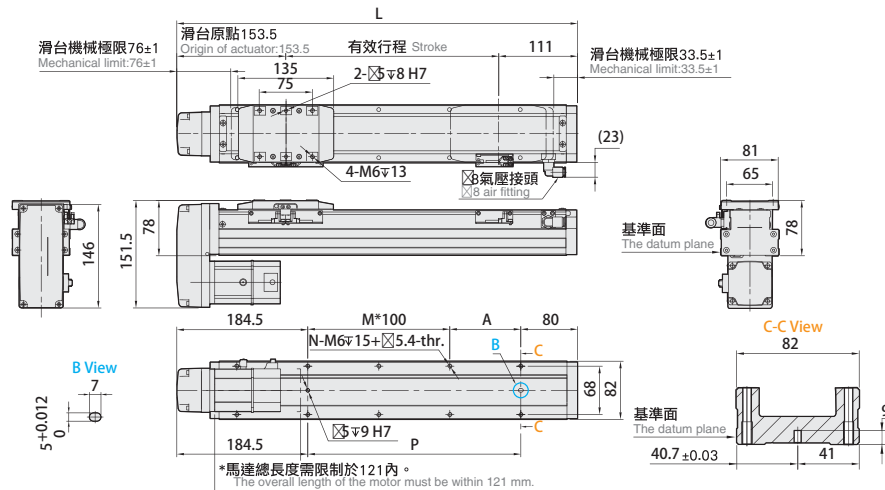


※行程 50 時，因本體上鎖式固定孔會被滑座遮住，僅能使用 4 支螺絲固定，建議客戶本體使用下鎖式固定孔鎖附。
When the stroke is 50mm, if fixing the body from the top to the bottom, the fixing hole will be blocked by slider and only can be uses 4 screws to fix; as a result, suggest that fixing actuator body from the bottom to the top.

有效行程 Stroke	50*	100	150	200	250	300	350	400	450	500	550	600	650	700	750	800	850	900	950	1000	1050	1100
L	328	378	428	478	528	578	628	678	728	778	828	878	928	978	1028	1078	1128	1178	1228	1278	1328	1378
A	50	100	50	100	50	100	50	100	50	100	50	100	50	100	50	100	50	100	50	100	50	100
M	1	1	2	2	3	3	4	4	5	5	6	6	7	7	8	8	9	9	10	10	11	11
N	6	6	8	8	10	10	12	12	14	14	16	16	18	18	20	20	22	22	24	24	26	26
P	50	100	150	200	250	300	350	400	450	500	550	600	650	700	750	800	850	900	950	1000	1050	1100
KG	4.21	4.59	5.00	5.30	5.65	5.98	6.30	6.65	6.94	7.27	7.71	8.01	8.42	8.71	8.95	9.26	9.67	9.92	10.31	10.58	11.00	11.42

motor bottom side

Unit:mm



※行程 50 時，因本體上鎖式固定孔會被滑座遮住，僅能使用 4 支螺絲固定，建議客戶本體使用下鎖式固定孔鎖附。
When the stroke is 50mm, if fixing the body from the top to the bottom, the fixing hole will be blocked by slider and only can be uses 4 screws to fix; as a result, suggest that fixing actuator body from the bottom to the top.

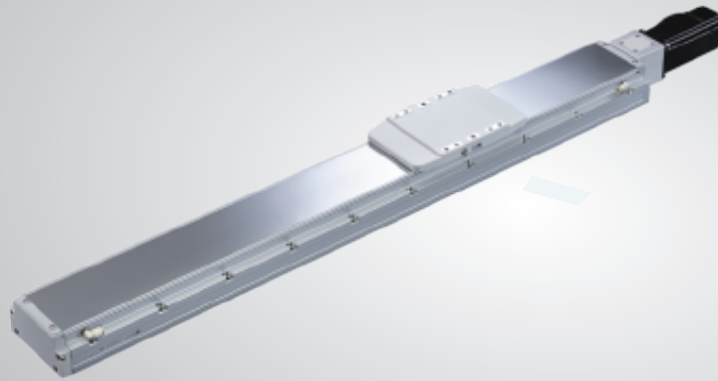
有效行程 Stroke	50*	100	150	200	250	300	350	400	450	500	550	600	650	700	750	800	850	900	950	1000	1050	1100
L	314.5	364.5	414.5	464.5	514.5	564.5	614.5	664.5	714.5	764.5	814.5	864.5	914.5	964.5	1014.5	1064.5	1114.5	1164.5	1214.5	1264.5	1314.5	1364.5
A	50	100	50	100	50	100	50	100	50	100	50	100	50	100	50	100	50	100	50	100	50	100
M	0	0	1	1	2	2	3	3	4	4	5	5	6	6	7	7	8	8	9	9	10	10
N	4	4	6	6	8	8	10	10	12	12	14	14	16	16	18	18	20	20	22	22	24	24
P	50	100	150	200	250	300	350	400	450	500	550	600	650	700	750	800	850	900	950	1000	1050	1100
KG	4.25	4.63	5.04	5.39	5.69	6.02	6.34	6.69	6.98	7.31	7.75	8.05	8.46	8.75	8.99	9.30	9.71	9.96	10.38	10.62	11.04	11.46

*馬達下折時，若選用煞車馬達，或是超出馬達總長度限制時無法套用標準 PIN 孔，如有需求請洽我業務。
When motor with brake assembled on lower side, or the total length over than spec limit, it may not use standard pinhole. Please contact our sales department if you need more information & requirement.

LGCH12 1-axis

▶ Track embedding

▶ Screw drive



Maximum Stroke 1250mm

Maximum Speed 1600mm/s

Motor output 400W

Ball Screw $\Phi 16\text{mm}$

Model naming method

LGCH12 - L5 - 100 - BC - M40B - C4 - 0001

MODEL

Characteristic pattern

Ball Screw Lead

5	5mm
10	10mm
20	20mm
32	32mm

Stroke

50-1250mm

Motor Position

BC	Motor Exposed
BM	Motor Bottom Side
BL	Motor Left Side
BR	Motor Right Side

Motor Brand /Power Output

M	Mitsubishi	05	-	B
P	Panasonic	10	-	
Y	yaskawa	20	-	
T	Delta	40	400W	

Home Sensor

Out Side	
C	Motor Side
D	Opposite Motor Side
	No Sensor
E	No Sensor

Limit Sensor

Out Side	
3	1Pc
4	2Pc
	No Sensor
5	No Sensor

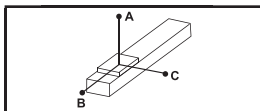
Product parameter

Position repetition accuracy (mm)		±0.005			
Ball Screw Lead (mm)		5	10	20	32
Max. speed(mm/s)		250	500	1000	1600
Max. load(KG)	Max. horizontal load(KG)	110	88	40	30
	Max. vertical load(KG)	33	22	10	8
Rated thrust (N)		1388	694	347	218
Standard stroke (mm)		50-1250mm/50mm Pitch			
AC servo motor capacity(W)		400			
Ball Screw (mm)		C7Φ16			
Coupling (mm)		10×14			
Origin inductor	Plug-in	T74N2(NPN)			

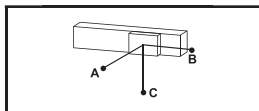
※1 Acceleration and deceleration value is set 0.2 second.

※2 When the stroke is over 800mm, the run-out of the ballscrew will occur. We recommend to low down the working speed under this circumstances. Please refer to the instructions on page P43 for details

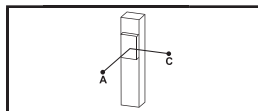
Allowable Overhang



(Unit: mm)



(Unit: mm)



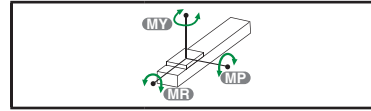
(Unit: mm)

Horizontal Installation		A	B	C
5 Lead	60kg	2850	250	340
	80kg	2100	180	250
	110kg	1500	120	170
10 Lead	30kg	2850	490	600
	50kg	1700	280	350
	88kg	950	140	190
20 Lead	10kg	3400	1250	1400
	22kg	1650	550	620
	40kg	900	290	330
32 Lead	15kg	1100	570	550
	25kg	620	330	320
	30kg	520	270	260

Wall Installation		A	B	C
5 Lead	55kg	280	280	3300
	75kg	200	195	2400
	110kg	130	125	1550
10 Lead	35kg	400	410	2500
	55kg	245	250	1550
	88kg	150	150	950
20 Lead	12kg	900	1070	3000
	20kg	550	630	1800
	40kg	260	300	900
32 Lead	15kg	440	570	1050
	30kg	210	270	520
	-	-	-	-

Vertical Installation		A	C
5 Lead	15kg	1200	1200
	22kg	820	820
	33kg	550	550
10 Lead	10kg	1600	1600
	14kg	1150	1150
	22kg	730	730
20 Lead	7kg	1800	1800
	10kg	1250	1250
	-	-	-
32 Lead	5kg	1600	1600
	8kg	1000	1000
	-	-	-

Static Loading Moment



(Unit: N.m)

MY	606
MP	606
MR	1168

* The torque value in the chart indicate the center of gravity.

* Operation life is 10,000km when the product is using under the specified conditions.

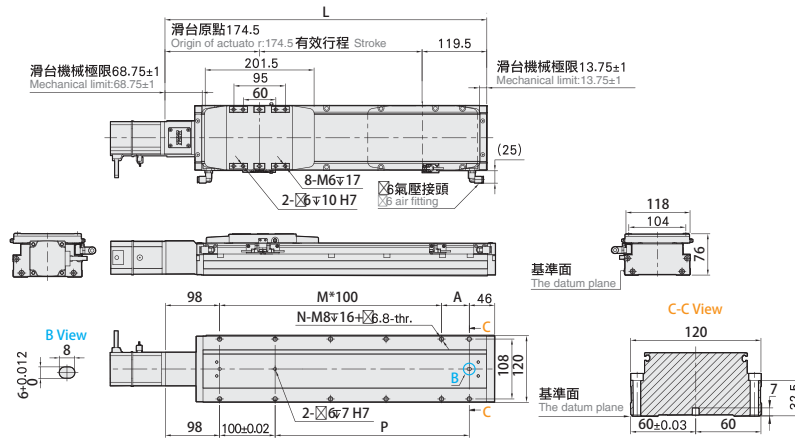
* Data information is not for ceiling-mount inverse use. Contact us for the details if you want to apply ceiling-mount inverse usage.

Suitable Motor Brand

Brand	Mark	Brake	Watt	AC-Voltage	Motor Model	Driver Model
Mitsubishi	M	No Brake (Horizontal Type)	400	220	HG-KR43	MR-J4-40A
		With Brake (Vertical Type)	400	220	HG-KR43B	MR-J4-40A
Panasonic	P	No Brake (Horizontal Type)	400	220	MSMD042G1U	MBDHT2510
		With Brake (Vertical Type)	400	220	MSMD042G1V	MBDHT2510
Delta	T	No Brake (Horizontal Type)	400	220	ECMA-C20604ES	ASD-B20421-B
		With Brake (Vertical Type)	400	220	ECMA-C20604FS	ASD-B20421-B

motor exposed

Unit:mm

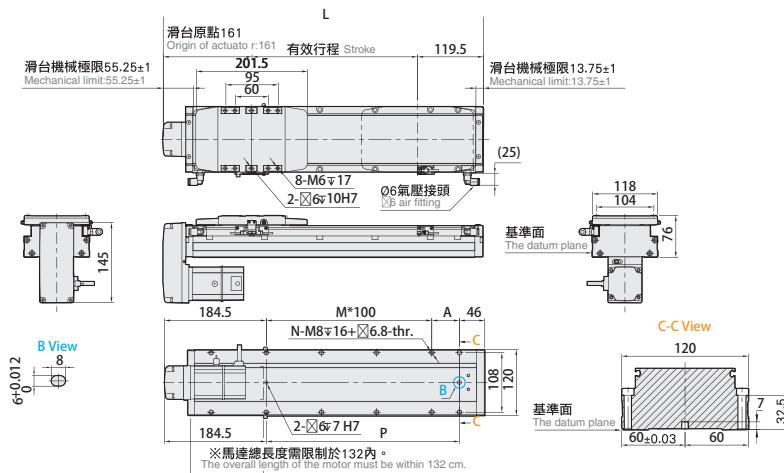


※行程 50 時，因本體上鎖式固定孔會被滑座遮住，僅能使用 4 支螺絲固定，建議客戶本體使用下鎖式固定孔鎖附。
When the stroke is 50mm, if fixing the body from the top to the bottom, the fixing hole will be blocked by slider and only can be uses 4 screws to fix as a result, suggest that fixing actuator body from the bottom to the top.

有效行程 Stroke	50*	100	150	200	250	300	350	400	450	500	550	600	650	700	750	800	850	900	950	1000	1050	1100	1150	1200	1250
L	344	394	444	494	544	594	644	694	744	794	844	894	944	994	1044	1094	1144	1194	1244	1294	1344	1394	1444	1494	1544
A	100	50	100	50	100	50	100	50	100	50	100	50	100	50	100	50	100	50	100	50	100	50	100	50	100
M	1	2	2	3	3	4	4	5	5	6	6	7	7	8	8	9	9	10	10	11	11	12	12	13	13
N	6	8	8	10	10	12	12	14	14	16	16	18	18	20	20	22	22	24	24	26	26	28	28	30	30
P	100	150	200	250	300	350	400	450	500	550	600	650	700	750	800	850	900	950	1000	1050	1100	1150	1200	1250	1300
KG	5.05	5.4	5.75	6.1	6.45	6.8	7.15	7.5	7.85	8.2	8.55	8.9	9.25	9.6	9.95	10.3	10.65	11	11.35	11.7	12.05	12.4	12.75	13.1	13.45

motor bottom side

Unit:mm



※行程 50 時，因本體上鎖式固定孔會被滑座遮住，僅能使用 4 支螺絲固定，建議客戶本體使用下鎖式固定孔鎖附。
When the stroke is 50mm, if fixing the body from the top to the bottom, the fixing hole will be blocked by slider and only can be uses 4 screws to fix as a result, suggest that fixing actuator body from the bottom to the top.

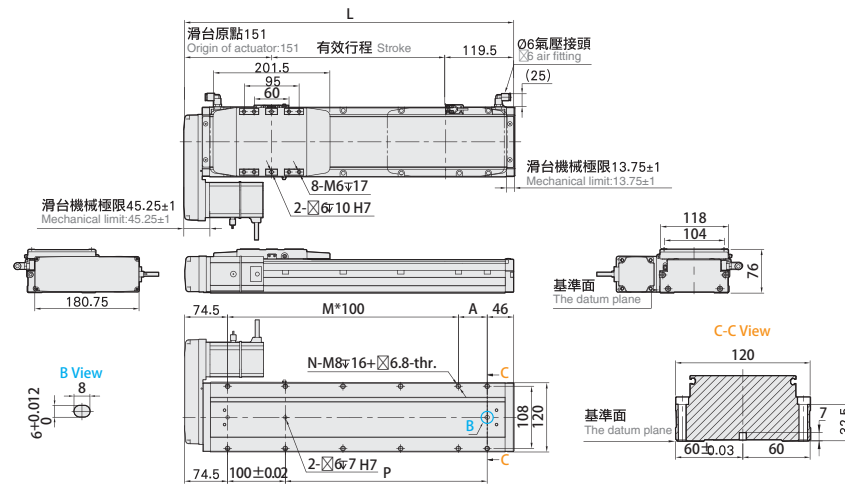
※馬達總長度需限制於 132 內。
The overall length of the motor must be within 132 cm.

有效行程 Stroke	50*	100	150	200	250	300	350	400	450	500	550	600	650	700	750	800	850	900	950	1000	1050	1100	1150	1200	1250
L	330.5	380.5	430.5	480.5	530.5	580.5	630.5	680.5	730.5	780.5	830.5	880.5	930.5	980.5	1030.5	1080.5	1130.5	1180.5	1230.5	1280.5	1330.5	1380.5	1430.5	1480.5	1530.5
A	100	50	100	50	100	50	100	50	100	50	100	50	100	50	100	50	100	50	100	50	100	50	100	50	100
M	0	1	1	2	2	3	3	4	4	5	5	6	6	7	7	8	8	9	9	10	10	11	11	12	12
N	4	6	6	8	8	10	10	12	12	14	14	16	16	18	18	20	20	22	22	24	24	26	26	28	28
P	100	150	200	250	300	350	400	450	500	550	600	650	700	750	800	850	900	950	1000	1050	1100	1150	1200	1250	1300
KG	5.21	5.56	5.91	6.26	6.61	6.96	7.31	7.66	8.01	8.36	8.71	9.06	9.41	9.76	10.11	10.46	10.81	11.16	11.51	11.86	12.21	12.56	12.91	13.26	13.61

*馬達下折時，若選用煞車馬達，或是超出馬達總長度限制時無法套用標準 PIN 孔，如有需求請洽我業務。
When motor with brake assembled on lower side, or the total length over than spec limit, it may not use standard pinhole. Please contact our sales department if you need more information & requirement.

motor left side

Unit:mm

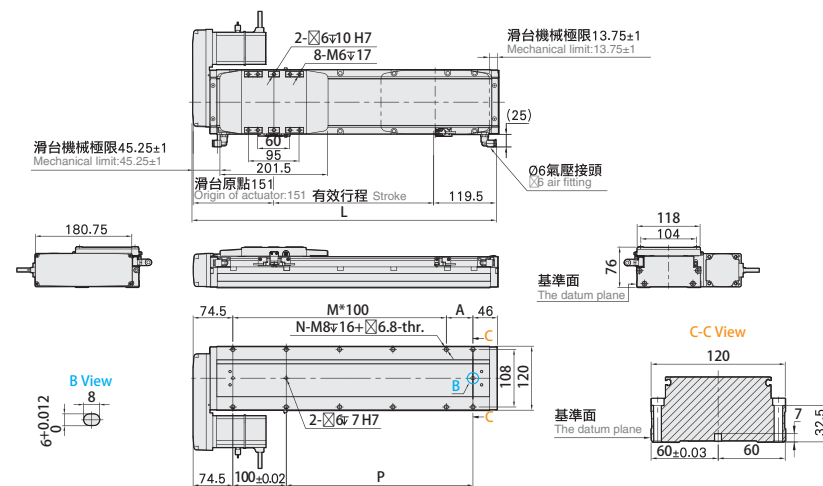


※行程 50 時，因本體上鎖式固定孔會被滑座遮住，僅能使用 4 支螺絲固定，建議客戶本體使用下鎖式固定孔鎖附。
When the stroke is 50mm, if fixing the body from the top to the bottom, the fixing hole will be blocked by slider and only can be uses 4 screws to fix; as a result, suggest that fixing actuator body from the bottom to the top.

有效行程 Stroke	50*	100	150	200	250	300	350	400	450	500	550	600	650	700	750	800	850	900	950	1000	1050	1100	1150	1200	1250
L	320.5	370.5	420.5	470.5	520.5	570.5	620.5	670.5	720.5	770.5	820.5	870.5	920.5	970.5	1020.5	1070.5	1120.5	1170.5	1220.5	1270.5	1320.5	1370.5	1420.5	1470.5	1520.5
A	100	50	100	50	100	50	100	50	100	50	100	50	100	50	100	50	100	50	100	50	100	50	100	50	100
M	1	2	2	3	3	4	4	5	5	6	6	7	7	8	8	9	9	10	10	11	11	12	12	13	13
N	6	8	8	10	10	12	12	14	14	16	16	18	18	20	20	22	22	24	24	26	26	28	28	30	30
P	100	150	200	250	300	350	400	450	500	550	600	650	700	750	800	850	900	950	1000	1050	1100	1150	1200	1250	1300
KG	5.25	5.6	5.95	6.3	6.65	7	7.35	7.7	8.05	8.4	8.75	9.1	9.45	9.8	10.15	10.85	11.2	11.55	11.9	12.25	12.6	12.56	12.91	13.26	13.61

motor right side

Unit:mm



※行程 50 時，因本體上鎖式固定孔會被滑座遮住，僅能使用 4 支螺絲固定，建議客戶本體使用下鎖式固定孔鎖附。
When the stroke is 50mm, if fixing the body from the top to the bottom, the fixing hole will be blocked by slider and only can be uses 4 screws to fix; as a result, suggest that fixing actuator body from the bottom to the top.

有效行程 Stroke	50*	100	150	200	250	300	350	400	450	500	550	600	650	700	750	800	850	900	950	1000	1050	1100	1150	1200	1250
L	320.5	370.5	420.5	470.5	520.5	570.5	620.5	670.5	720.5	770.5	820.5	870.5	920.5	970.5	1020.5	1070.5	1120.5	1170.5	1220.5	1270.5	1320.5	1370.5	1420.5	1470.5	1520.5
A	100	50	100	50	100	50	100	50	100	50	100	50	100	50	100	50	100	50	100	50	100	50	100	50	100
M	1	2	2	3	3	4	4	5	5	6	6	7	7	8	8	9	9	10	10	11	11	12	12	13	13
N	6	8	8	10	10	12	12	14	14	16	16	18	18	20	20	22	22	24	24	26	26	28	28	30	30
P	100	150	200	250	300	350	400	450	500	550	600	650	700	750	800	850	900	950	1000	1050	1100	1150	1200	1250	1300
KG	5.25	5.6	5.95	6.3	6.65	7	7.35	7.7	8.05	8.4	8.75	9.1	9.45	9.8	10.15	10.85	11.2	11.55	11.9	12.25	12.6	12.56	12.91	13.26	13.61