

LETH Series



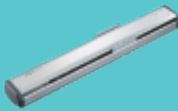
Standard/Ball Screw

CONTENTS

Standard/Ball Screw Type

MEDIUM

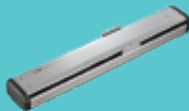
LETH13



135mm
Width
1050mm
Max. stroke
70kg
Max. payload

MEDIUM

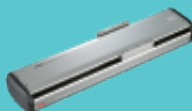
LETH14



135mm
Width
1050mm
Max. stroke
110kg
Max. payload

LARGE

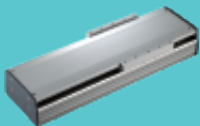
LETH17



170mm
Width
1250mm
Max. stroke
120kg
Max. payload

LARGE

LETH22

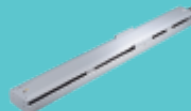


220mm
Width
1500mm
Max. stroke
150kg
Max. payload

Long Stroke Ball Screw Actuator

LARGE

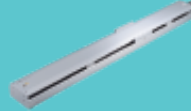
LETH17M



170mm
Width
2200mm
Max. stroke
120kg
Max. payload

LARGE

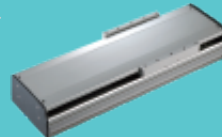
LETH22M



220mm
Width
2400mm
Max. stroke
130kg
Max. payload

LARGE

LETH27



270mm
Width
1700mm
Max. stroke
220kg
Max. payload

Spec Index of Electric Actuator

LETH Ball Screw Actuator-Slider Type

Environment	Driven Mode	Specification	Motor Output (w)	Width(mm)	Repeatability (mm)	Ball Screw Spec		Maximum Payload(kg)		Maximum Speed ^{*1} (mm/s)
						Outer Diameter(mm)	Lead(mm)	Horizontal	Vertical	
Standard	Ball screw	LETH13	200W	135	±0.01	16	5	70	17	250
							10	47	12	500
							20	24	6	1000
							32	13	-	1600
			400W	135	±0.01	16	5	70	17	250
							10	47	12	500
							20	24	6	1000
							32	13	-	1600
		LETH14	200W	135	±0.01	16	5	95	27	250
							10	75	18	500
							20	35	7	1000
							32	15	-	1600
			400W	135	±0.01	16	5	110	33	250
							10	88	22	500
							20	40	10	1000
							32	30	8	1600
		LETH17	400W	170	±0.01	20	5	120	40	250
							10	110	30	500
							20	75	14	1000
							40	22	7	2000
			750W	170	±0.01	20	5	120	50	250
							10	120	40	500
							20	83	25	1000
							40	43	12	2000
LETH22	750W	220	±0.01	20	25	5	150	55	250	
					25	10	150	45	500	
					25	25	105	20	1250	
					20	40	43	12	2000	

*1: The highest speed is based on the maximum servo motor's rpm (3000).

*2: Written here is the standard stoke's maximum safe speed. If over this speed, it may casue serious virbration.

Long Stroke Ball Screw Actuator

Environment	Driven Mode	Specification	Motor Output (w)	Width(mm)	Repeatability (mm)	Ball Screw Spec		Maximum Payload(kg)		Maximum Speed ^{*1} (mm/s)
						Outer Diameter(mm)	Lead(mm)	Horizontal	Vertical	
Standard	Ball screw	LETH17M	400W	170	±0.01	16	5	110	33	200
							10	90	22	400
							20	40	10	800
			750W	170	±0.01	16	32	30	8	1280
							5	120	40	200
							10	95	25	400
		LETH22M	750W	220	±0.01	20	20	50	15	800
							32	35	12	1280
							5	130	50	200
							10	130	40	400
							20	85	25	800
							40	43	12	1600

*1: The highest speed is based on the maximum servo motor's rpm (2400).

LGTH series

LGCH series

LETH series

LECH series

KK series

Stroke(mm) & Maximum Speed(mm/s) *2																				Speed							Page									
Stroke	50	100	150	200	250	300	350	400	450	500	550	600	650	700	750	800	850	900	950	1000	1050	1100	1150	1200	1250	1300	1350	1400	1450	1500						
250																225	200	175	150	125	100															
500																450	400	350	300	250	200															
1000																900	800	700	600	500	400															
1600																1440	1280	1120	960	800	640															
250																225	200	175	150	125	100															
500																450	400	350	300	250	200															
1000																900	800	700	600	500	400															
1600																1440	1280	1120	960	800	640															
250																225	200	175	150	125	100															
500																450	400	350	300	250	200															
1000																900	800	700	600	500	400															
1600																1440	1280	1120	960	800	640															
250																225	200	175	150	125	100															
500																450	400	350	300	250	200															
1000																900	800	700	600	500	400															
1600																1440	1280	1120	960	800	640															
250																		225	200	175	150															
500																		450	400	350	300															
1000																		900	800	700	600															
2000																		1800	1600	1400	1200															
250																			225	200	175	150														
500																			450	400	350	300														
1000																			900	800	700	600														
2000																			1800	1600	1400	1200														
250																				225	200	175	150													
500																				450	400	350	300													
1000																				900	800	700	600													
2000																				1800	1600	1400	1200													
250																					225	200	175	150												
500																					450	400	350	300												
1000																					900	800	700	600												
2000																					1800	1600	1400	1200												

Stroke(mm) & Maximum Speed(mm/s) *2																				Speed							Page											
Stroke	800	850	900	950	1000	1100	1200	1300	1400	1500	1600	1650	1700	1750	1800	1850	1900	1950	2000	2050	2100	2150	2200	2250	2300	2350	2400											
200																																						
400																																						
800																																						
1280																																						
200																																						
400																																						
800																																						
1280																																						

*2: Written here is the standard storke's maximum safe speed. If over this speed, it may casue serious vibration.

LETH14 1-axis

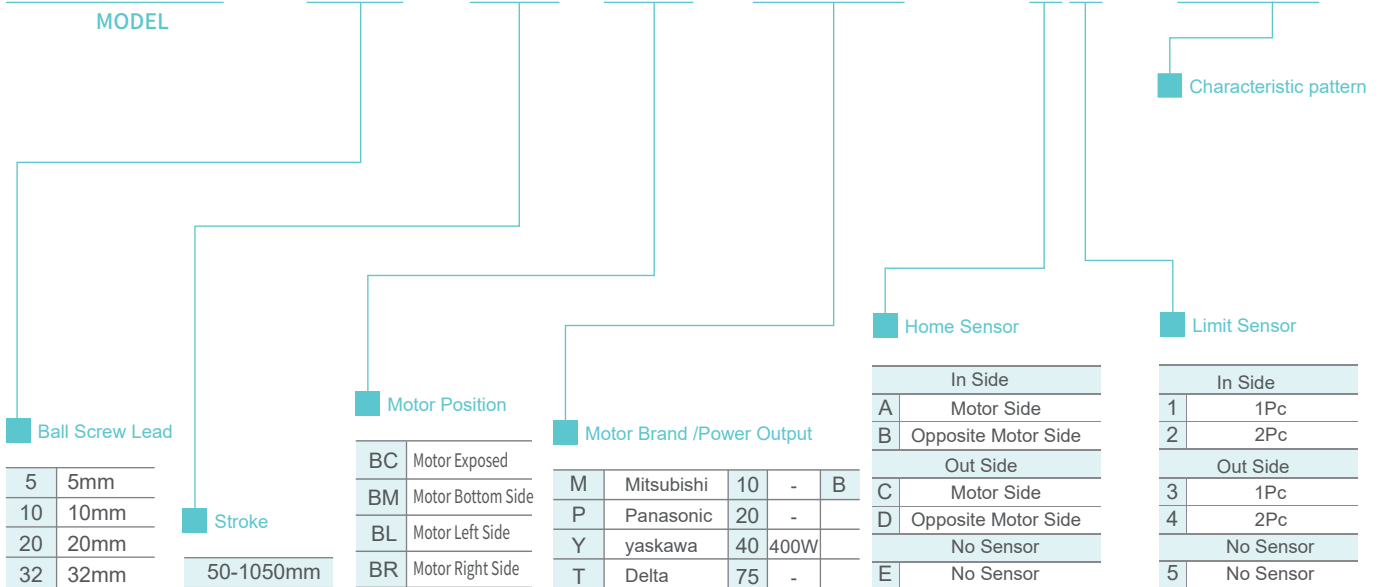
▶ Screw drive



- Maximum Stroke** 1050mm
- Maximum Speed** 1600mm/s
- Motor output** 400W
- Ball Screw** Φ 16mm
- Straight rail** 15×12.5-2支

Model naming method

LETH14 - L5 - 50 - M - M40B - C4 - 0001



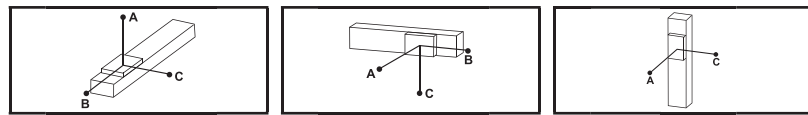
Product parameter

Position repetition accuracy (mm)		±0.01			
Ball Screw Lead (mm)		5	10	20	32
Max. speed(mm/s)		250	500	1000	1600
Max. load(KG)	Max. horizontal load(KG)	110	88	40	30
	Max. vertical load(KG)	33	22	10	8
Rated thrust (N)		1388	694	347	218
Standard stroke (mm)		50-1050mm/50mm Pitch			
AC servo motor capacity(W)		400			
Ball Screw (mm)		C7Φ16			
High Rigidity Linear Guide (mm)		W15×H12.5			
Coupling (mm)		10×14			
Origin inductor	Outside	EE-SX672(NPN)			
	Built-in	EE-SX742(NPN)			

※1 Acceleration and deceleration value is set 0.2 second.

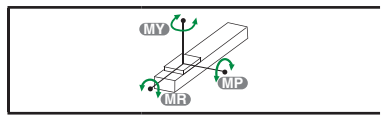
※2 When the stroke is over 750mm, the run-out of the ballscrew will occur. We recommend to low down the working speed under this circumstances. Please refer to the instructions on page P43 for details

Allowable Overhang



Horizontal Installation (Unit : mm)				Wall Installation (Unit : mm)				Vertical Installation (Unit : mm)					
	A	B	C		A	B	C		A	C			
5 Lead	60kg	2512	242	232	5 Lead	55kg	257	269	2883	5 Lead	15kg	1118	1118
	80kg	1811	172	164		75kg	178	186	2000		22kg	770	770
	110kg	1284	114	108		110kg	108	114	1284		33kg	513	513
10 Lead	30kg	2727	470	430	10 Lead	35kg	363	395	2368	10 Lead	10kg	1500	1500
	50kg	1577	266	242		55kg	218	238	1445		14kg	1072	1072
	88kg	854	134	122		88kg	123	134	854		22kg	682	682
20 Lead	10kg	2304	1222	1028	20 Lead	12kg	854	1019	2552	20 Lead	7kg	1700	1700
	22kg	1443	540	451		20kg	500	596	1588		10kg	1188	1188
	40kg	860	277	233		40kg	233	277	860		-	-	-
32 Lead	15kg	1033	545	405	32 Lead	15kg	405	545	1033	32 Lead	5kg	1503	1503
	25kg	604	311	233		30kg	188	251	495		8kg	944	944
	30kg	495	251	188		-	-	-	-		-	-	-

Static Loading Moment



	(Unit : N.m)
MY	551
MP	552
MR	455

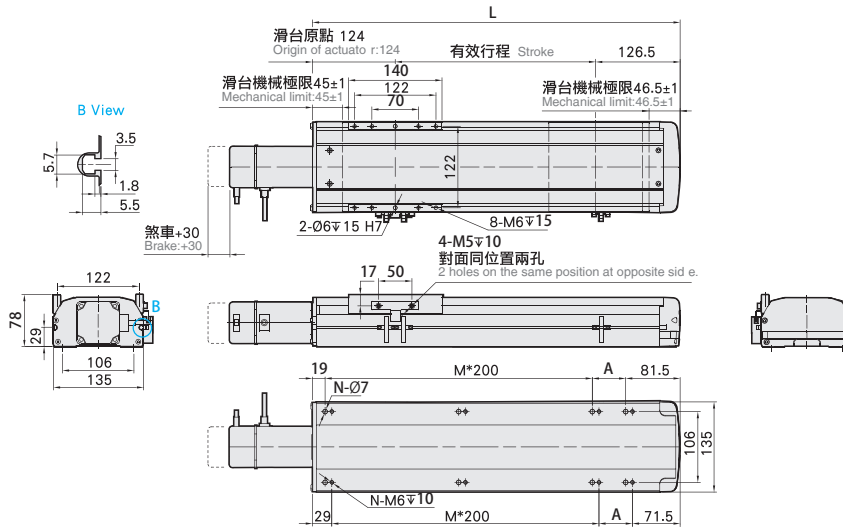
* The torque value in the chart indicate the center of gravity.
 * Operation life is 10,000km when the product is using under the specified conditions.
 * Data information is not for ceiling-mount inverse use. Contact us for the details if you want to apply ceiling-mount inverse usage.

Suitable Motor Brand

Brand	Mark	Brake	Watt	AC-Voltage	Motor Model	Driver Model
Mitsubishi	M	No Brake (Horizontal Type)	400	220	HG-KR43	MR-J4-40A
		With Brake (Vertical Type)	400	220	HG-KR43B	MR-J4-40A
Panasonic	P	No Brake (Horizontal Type)	400	220	MHMD042G1U	MBDHT2510
		With Brake (Vertical Type)	400	220	MHMD042G1V	MBDHT2510
Delta	T	No Brake (Horizontal Type)	400	220	ECMA-C20604ES	ASD-B20421-B
		With Brake (Vertical Type)	400	220	ECMA-C20604FS	ASD-B20421-B

motor exposed

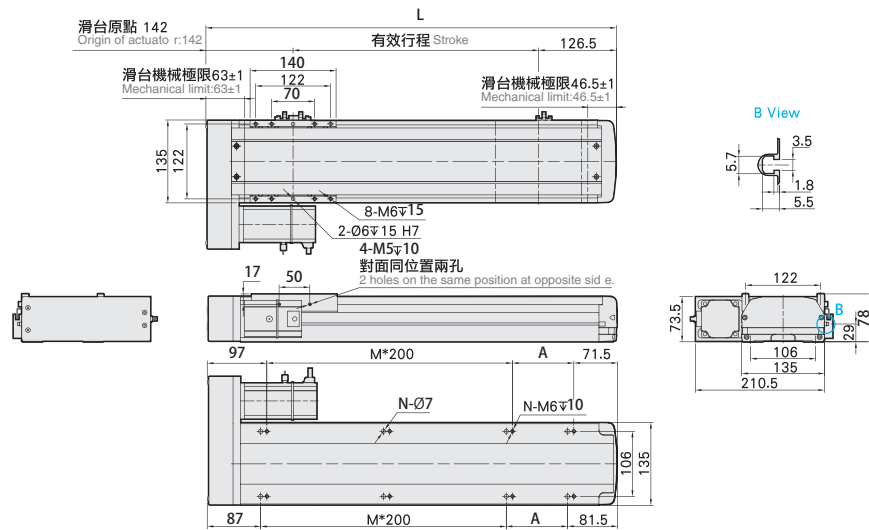
Unit:mm



有效行程 Stroke	50	100	150	200	250	300	350	400	450	500	550	600	650	700	750	800	850	900	950	1000	1050
L	300.5	350.5	400.5	450.5	500.5	550.5	600.5	650.5	700.5	750.5	800.5	850.5	900.5	950.5	1000.5	1050.5	1100.5	1150.5	1200.5	1250.5	1300.5
A	200	50	100	150	200	50	100	150	200	50	100	150	200	50	100	150	200	50	100	150	200
M	0	1	1	1	1	2	2	2	2	3	3	3	3	4	4	4	4	5	5	5	5
N	4	6	6	6	6	8	8	8	8	10	10	10	10	12	12	12	12	14	14	14	14
KG	8.75	9.3	9.85	10.4	10.95	11.5	12.05	12.6	13.15	13.7	14.25	14.8	15.35	15.9	16.45	17	17.55	18.1	18.65	19.2	19.75

motor left side

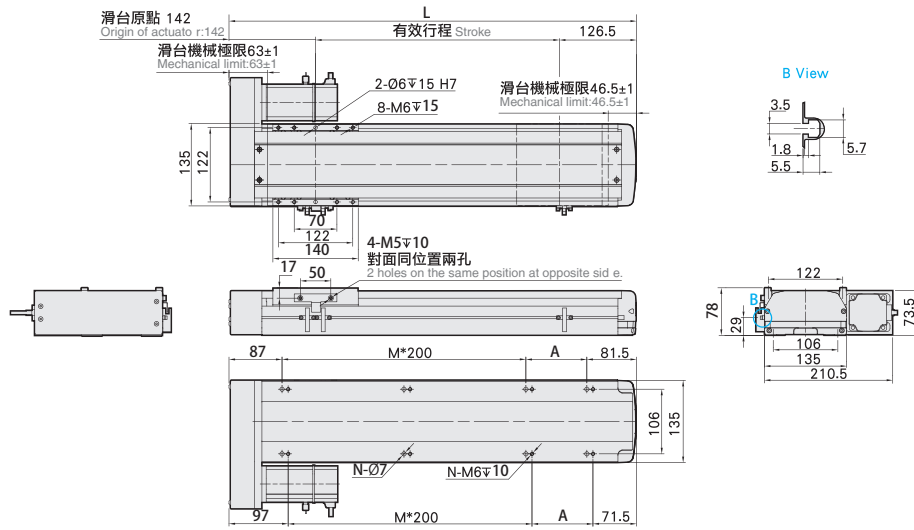
Unit:mm



有效行程 Stroke	50	100	150	200	250	300	350	400	450	500	550	600	650	700	750	800	850	900	950	1000	1050
L	318.5	368.5	418.5	468.5	518.5	568.5	618.5	668.5	718.5	768.5	818.5	868.5	918.5	968.5	1018.5	1068.5	1118.5	1168.5	1218.5	1268.5	1318.5
A	150	200	50	100	150	200	50	100	150	200	50	100	150	200	50	100	150	200	50	100	150
M	0	0	1	1	1	1	2	2	2	2	3	3	3	3	4	4	4	4	5	5	5
N	4	4	6	6	6	6	8	8	8	8	10	10	10	10	12	12	12	12	14	14	14
KG	9.4	9.94	10.48	11.02	11.56	12.1	12.64	13.18	13.72	14.26	14.8	15.34	15.88	16.42	16.96	17.5	18.04	18.58	19.12	19.66	20.2

motor right side

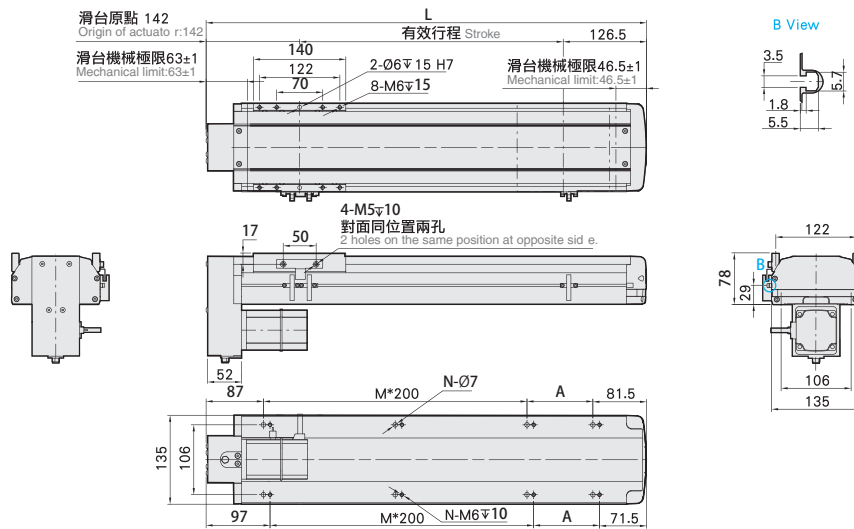
Unit:mm



有效行程 Stroke	50	100	150	200	250	300	350	400	450	500	550	600	650	700	750	800	850	900	950	1000	1050
L	318.5	368.5	418.5	468.5	518.5	568.5	618.5	668.5	718.5	768.5	818.5	868.5	918.5	968.5	1018.5	1068.5	1118.5	1168.5	1218.5	1268.5	1318.5
A	150	200	50	100	150	200	50	100	150	200	50	100	150	200	50	100	150	200	50	100	150
M	0	0	1	1	1	1	2	2	2	2	3	3	3	3	4	4	4	4	5	5	5
N	4	4	6	6	6	6	8	8	8	8	10	10	10	10	12	12	12	12	14	14	14
KG	9.4	9.94	10.48	11.02	11.56	12.1	12.64	13.18	13.72	14.26	14.8	15.34	15.88	16.42	16.96	17.5	18.04	18.58	19.12	19.66	20.2

motor bottom side

Unit:mm



有效行程 Stroke	50	100	150	200	250	300	350	400	450	500	550	600	650	700	750	800	850	900	950	1000	1050
L	318.5	368.5	418.5	468.5	518.5	568.5	618.5	668.5	718.5	768.5	818.5	868.5	918.5	968.5	1018.5	1068.5	1118.5	1168.5	1218.5	1268.5	1318.5
A	150	200	50	100	150	200	50	100	150	200	50	100	150	200	50	100	150	200	50	100	150
M	0	0	1	1	1	1	2	2	2	2	3	3	3	3	4	4	4	4	5	5	5
N	4	4	6	6	6	6	8	8	8	8	10	10	10	10	12	12	12	12	14	14	14
KG	9.4	9.94	10.48	11.02	11.56	12.1	12.64	13.18	13.72	14.26	14.8	15.34	15.88	16.42	16.96	17.5	18.04	18.58	19.12	19.66	20.2

LETH17 1-axis

▶ Screw drive



Maximum Stroke 1250mm

Maximum Speed 2000mm/s

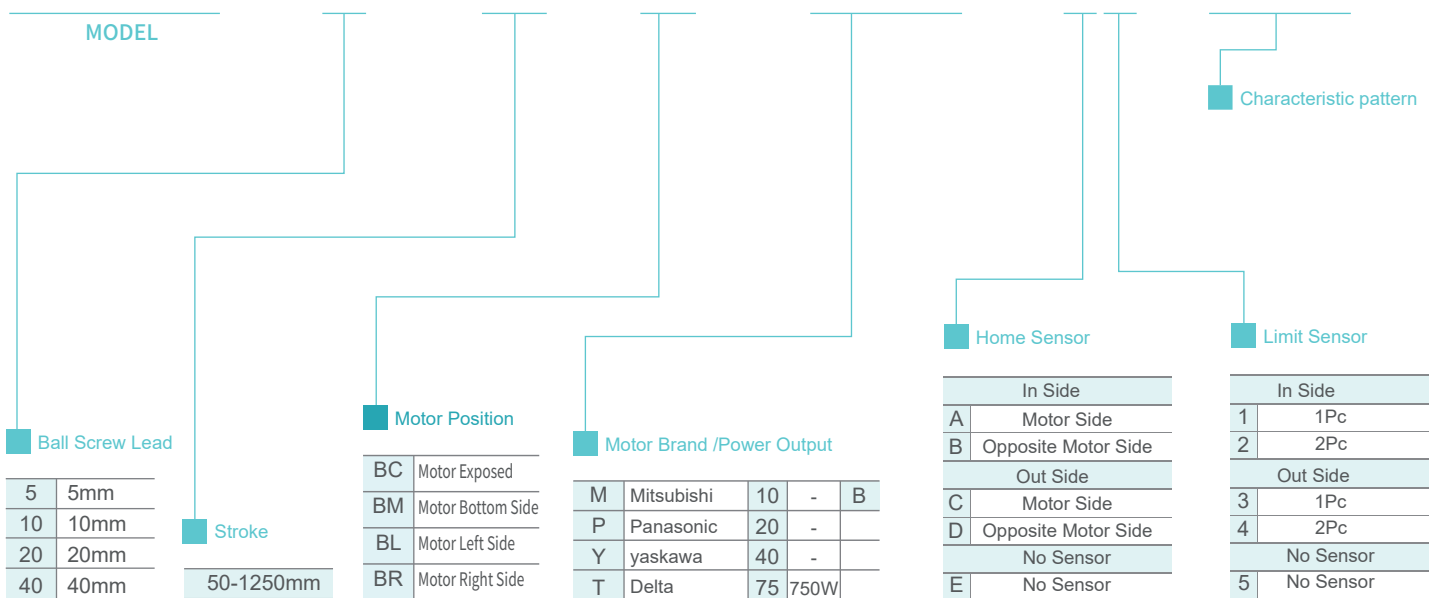
Motor output 750W

Ball Screw Φ20mm

Straight rail 20×15.2-2支

Model naming method

LETH17 - L5 - 50 - BC - M75B - C4 - 0001



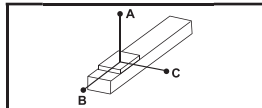
Product parameter

Position repetition accuracy (mm)		±0.01			
Ball Screw Lead (mm)		5	10	20	40
Max. speed(mm/s)		250	500	1000	2000
Max. load(KG)	Max. horizontal load(KG)	120	120	83	43
	Max. vertical load(KG)	50	40	25	12
Rated thrust (N)		2563	1281	640	320
Standard stroke (mm)		50-1250mm/50mm Pitch			
AC servo motor capacity(W)		750			
Ball Screw (mm)		C7Φ20			
High Rigidity Linear Guide (mm)		W20×H15			
Coupling (mm)		12×19			
Origin inductor	Outside	EE-SX672(NPN)			
	Built-in	EE-SX674(NPN)			

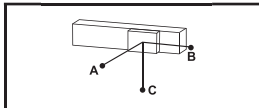
※1 Acceleration and deceleration value is set 0.2 second.

※2 When the stroke is over 850mm, the run-out of the ballscrew will occur. We recommend to low down the working speed under this circumstances.

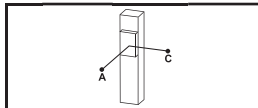
Allowable Overhang



(Unit : mm)



(Unit : mm)



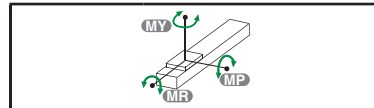
(Unit : mm)

Horizontal Installation		A	B	C
5 Lead	70kg	3235	349	408
	90kg	2482	263	306
	120kg	1861	187	218
10 Lead	65kg	1911	338	373
	85kg	1445	248	276
	120kg	1000	164	182
20 Lead	35kg	1666	547	538
	55kg	1030	331	328
	83kg	654	206	204
40 Lead	15kg	1126	740	577
	22kg	755	491	384
	43kg	366	231	183

Wall Installation		A	B	C
5 Lead	75kg	377	322	2988
	95kg	288	246	2333
	120kg	218	187	1850
10 Lead	60kg	408	368	2092
	80kg	296	266	1554
	120kg	182	164	1002
20 Lead	30kg	633	644	1961
	50kg	365	369	1143
	83kg	204	206	656
40 Lead	12kg	729	936	1417
	22kg	384	491	755
	43kg	183	231	366

Vertical Installation		A	C
5 Lead	20kg	1368	1368
	30kg	911	911
	50kg	546	546
10 Lead	15kg	1618	1618
	25kg	970	970
	40kg	607	607
20 Lead	10kg	1922	1922
	14kg	1377	1377
	25kg	769	769
40 Lead	7kg	1356	1356
	12kg	790	790
	-	-	-

Static Loading Moment



(Unit : N.m)

MY	1032
MP	1034
MR	908

* The torque value in the chart indicate the center of gravity.

* Operation life is 10,000km when the product is using under the specified conditions.

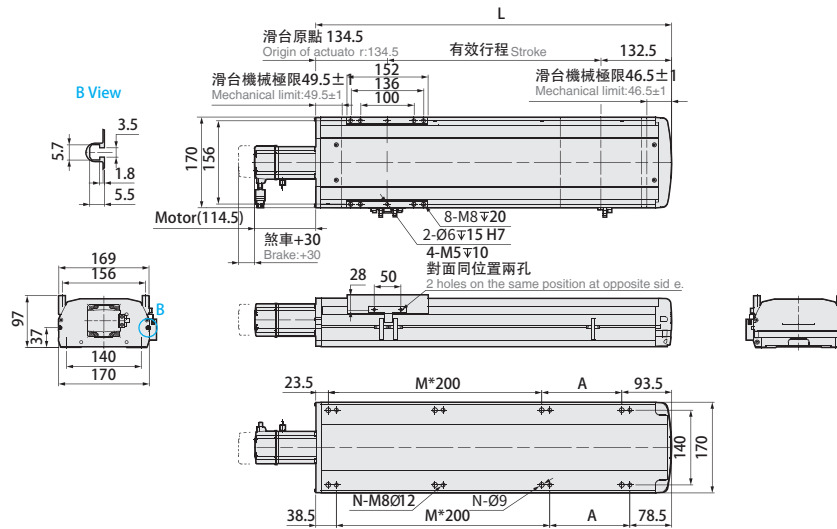
* Data information is not for ceiling-mount inverse use. Contact us for the details if you want to apply ceiling-mount inverse usage.

Suitable Motor Brand

Brand	Mark	Brake	Watt	AC-Voltage	Motor Model	Driver Model
Mitsubishi	M	No Brake (Horizontal Type)	750	220	HG-KR73	MR-J4-70A
		With Brake (Vertical Type)	750	220	HG-KR73B	MR-J4-70A
Panasonic	P	No Brake (Horizontal Type)	750	220	MHMD082G1U	MCDHT3520
		With Brake (Vertical Type)	750	220	MHMD082G1V	MCDHT3520
Delta	T	No Brake (Horizontal Type)	750	220	ECMA-C20807ES	ASD-B20721-B
		With Brake (Vertical Type)	750	220	ECMA-C20807FS	ASD-B20721-B

motor exposed

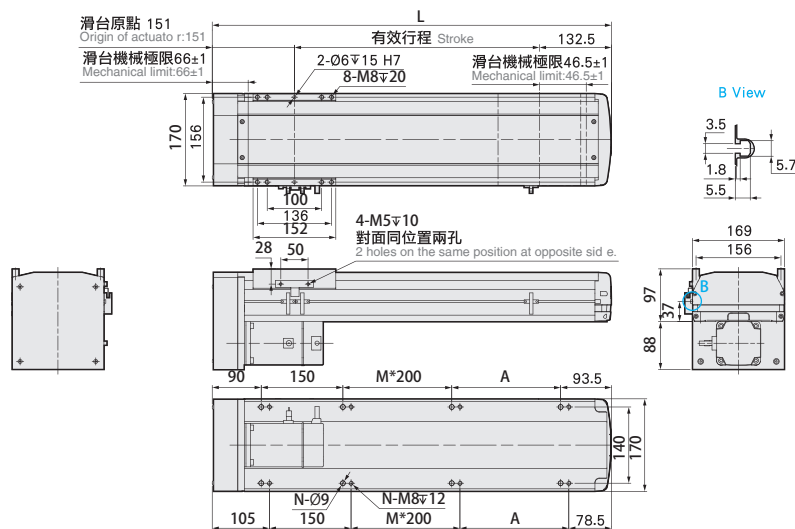
Unit:mm



有效行程 Stroke	50	100	150	200	250	300	350	400	450	500	550	600	650	700	750	800	850	900	950	1000	1050	1100	1150	1200	1250
L	333.5	383.5	433.5	483.5	533.5	583.5	633.5	683.5	733.5	783.5	833.5	883.5	933.5	983.5	1033.5	1083.5	1133.5	1183.5	1233.5	1283.5	1333.5	1383.5	1433.5	1483.5	1533.5
A	0	50	100	150	200	50	100	150	200	50	100	150	200	50	100	150	200	50	100	150	200	50	100	150	200
M	0	0	0	0	0	1	1	1	1	2	2	2	2	3	3	3	3	4	4	4	4	5	5	5	5
N	4	6	6	6	6	8	8	8	8	10	10	10	10	12	12	12	12	14	14	14	14	16	16	16	16
KG	9.53	10.3	11.07	11.84	12.61	13.38	14.15	14.92	15.69	16.47	17.24	18.01	18.78	19.55	20.32	21.09	21.86	22.63	23.4	24.18	24.95	25.72	26.49	27.26	28.03

motor bottom side

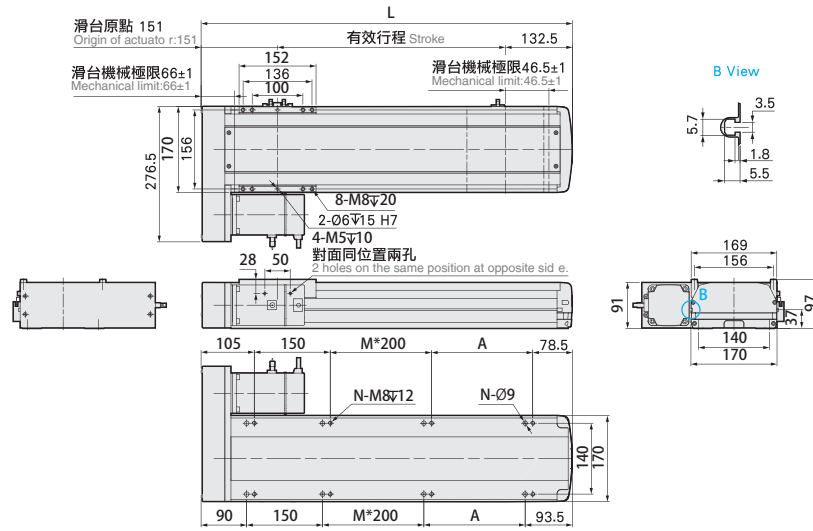
Unit:mm



有效行程 Stroke	50	100	150	200	250	300	350	400	450	500	550	600	650	700	750	800	850	900	950	1000	1050	1100	1150	1200	1250
L	333.5	383.5	433.5	483.5	533.5	583.5	633.5	683.5	733.5	783.5	833.5	883.5	933.5	983.5	1033.5	1083.5	1133.5	1183.5	1233.5	1283.5	1333.5	1383.5	1433.5	1483.5	1533.5
A	0	50	100	150	200	50	100	150	200	50	100	150	200	50	100	150	200	50	100	150	200	50	100	150	200
M	0	0	0	0	0	1	1	1	1	2	2	2	2	3	3	3	3	4	4	4	4	5	5	5	5
N	4	6	6	6	6	8	8	8	8	10	10	10	10	12	12	12	12	14	14	14	14	16	16	16	16
KG	9.53	10.3	11.07	11.84	12.61	13.38	14.15	14.92	15.69	16.47	17.24	18.01	18.78	19.55	20.32	21.09	21.86	22.63	23.4	24.18	24.95	25.72	26.49	27.26	28.03

motor left side

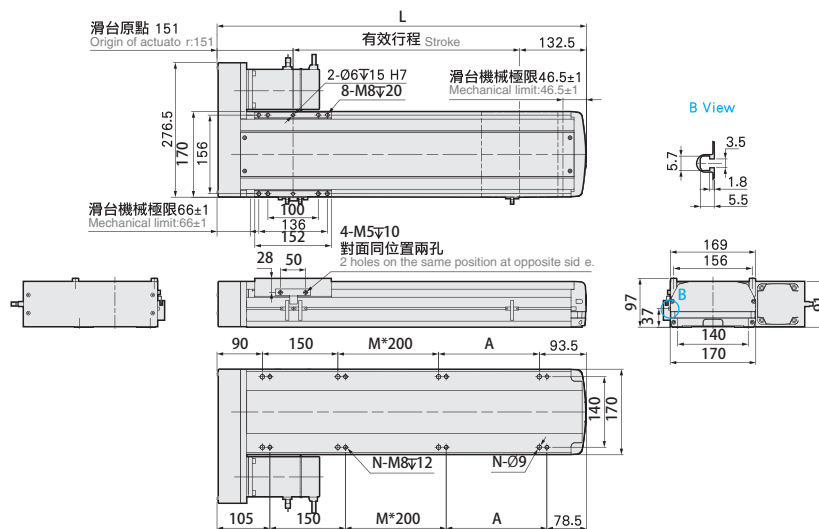
Unit:mm



有效行程 Stroke	50	100	150	200	250	300	350	400	450	500	550	600	650	700	750	800	850	900	950	1000	1050	1100	1150	1200	1250
L	333.5	383.5	433.5	483.5	533.5	583.5	633.5	683.5	733.5	783.5	833.5	883.5	933.5	983.5	1033.5	1083.5	1133.5	1183.5	1233.5	1283.5	1333.5	1383.5	1433.5	1483.5	1533.5
A	0	50	100	150	200	50	100	150	200	50	100	150	200	50	100	150	200	50	100	150	200	50	100	150	200
M	0	0	0	0	0	1	1	1	1	2	2	2	2	3	3	3	3	4	4	4	4	5	5	5	5
N	4	6	6	6	6	8	8	8	8	10	10	10	10	12	12	12	12	14	14	14	14	16	16	16	16
KG	9.53	10.3	11.07	11.84	12.61	13.38	14.15	14.92	15.69	16.47	17.24	18.01	18.78	19.55	20.32	21.09	21.86	22.63	23.4	24.18	24.95	25.72	26.49	27.26	28.03

motor right side

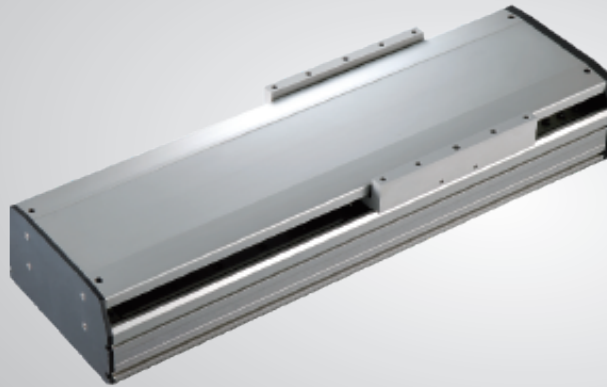
Unit:mm



有效行程 Stroke	50	100	150	200	250	300	350	400	450	500	550	600	650	700	750	800	850	900	950	1000	1050	1100	1150	1200	1250
L	333.5	383.5	433.5	483.5	533.5	583.5	633.5	683.5	733.5	783.5	833.5	883.5	933.5	983.5	1033.5	1083.5	1133.5	1183.5	1233.5	1283.5	1333.5	1383.5	1433.5	1483.5	1533.5
A	0	50	100	150	200	50	100	150	200	50	100	150	200	50	100	150	200	50	100	150	200	50	100	150	200
M	0	0	0	0	0	1	1	1	1	2	2	2	2	3	3	3	3	4	4	4	4	5	5	5	5
N	4	6	6	6	6	8	8	8	8	10	10	10	10	12	12	12	12	14	14	14	14	16	16	16	16
KG	9.53	10.3	11.07	11.84	12.61	13.38	14.15	14.92	15.69	16.47	17.24	18.01	18.78	19.55	20.32	21.09	21.86	22.63	23.4	24.18	24.95	25.72	26.49	27.26	28.03

LETH22 1-axis

▶ Screw drive



Maximum Stroke 1500mm

Maximum Speed 2000mm/s

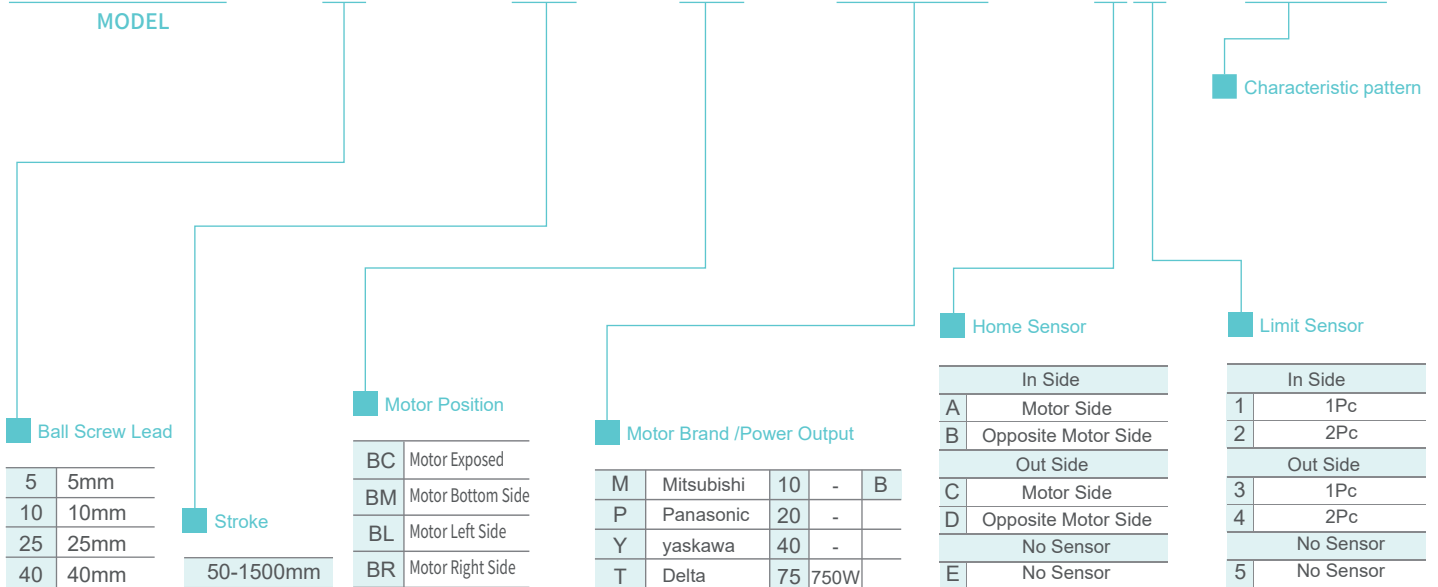
Motor output 750W

Ball Screw $\Phi 25\text{mm}$

Straight rail 23×18-2支

Model naming method

LETH22 - L10 - 50 - BC - M75B - C4 - 0001



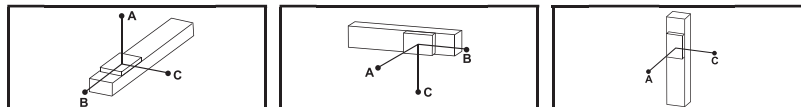
Product parameter

Position repetition accuracy (mm)		±0.01			
Ball Screw Lead (mm)		5	10	25	40
Max. speed(mm/s)		250	500	1250	2000
Max. load(KG)	Max. horizontal load(KG)	150	150	105	43
	Max. vertical load(KG)	55	45	20	12
Rated thrust (N)		2563	1281	640	320
Standard stroke (mm)		50-1500mm/50mm Pitch			
AC servo motor capacity(W)		750			
Ball Screw (mm)		C7Φ25			C7Φ20
High Rigidity Linear Guide (mm)		W23×H18			
Coupling (mm)		17×19			12×19
Origin inductor	Outside	EE-SX672(NPN)			
	Built-in	EE-SX674(NPN)			

※1 Acceleration and deceleration value is set 0.2 second.

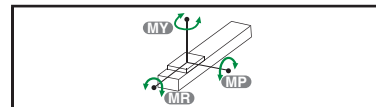
※2 When the stroke is over 900mm, the run-out of the ballscrew will occur. We recommend to low down the working speed under this circumstances.

Allowable Overhang



Horizontal Installation (Unit : mm)				Wall Installation (Unit : mm)				Vertical Installation (Unit : mm)				
Horizontal Installation	A	B	C	Wall Installation	A	B	C	Vertical Installation	A	C		
5 Lead	100kg	5000	633	557	110kg	500	569	4500	5 Lead	30kg	2355	2355
	125kg	3880	491	431	130kg	412	469	3711		40kg	1768	1768
	150kg	3357	396	347	150kg	347	396	3357		55kg	1288	1288
10 Lead	100kg	3220	563	474	110kg	427	503	2900	10 Lead	25kg	2505	2505
	125kg	2554	434	367	130kg	351	414	2444		35kg	1795	1795
	150kg	2113	349	295	150kg	295	349	2113		45kg	1396	1396
25 Lead	65kg	1522	614	458	70kg	420	564	1404	25 Lead	15kg	2711	2711
	85kg	1136	451	336	90kg	315	420	1066		20kg	2033	2033
	105kg	893	350	262	105kg	262	350	893		-	-	-
40 Lead	18kg	2445	1616	1052	15kg	1272	1955	2948	40 Lead	7kg	3511	3511
	30kg	1436	938	613	24kg	778	1190	1813		12kg	2055	2055
	43kg	978	630	412	43kg	412	630	978		-	-	-

Static Loading Moment



	(Unit : N.m)
MY	2052
MP	2052
MR	1810

* The torque value in the chart indicate the center of gravity.

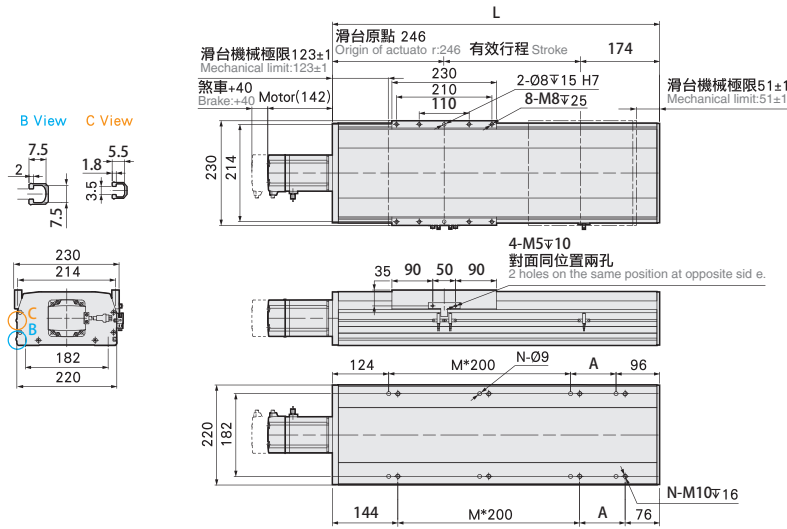
* Operation life is 10,000km when the product is using under the specified conditions.

* Data information is not for ceiling-mount inverse use. Contact us for the details if you want to apply ceiling-mount inverse usage.

Brand	Mark	Brake	Watt	AC-Voltage	Motor Model	Driver Model
Mitsubishi	M	No Brake (Horizontal Type)	750	220	HG-KR73	MR-J4-70A
		With Brake (Vertical Type)	750	220	HG-KR73B	MR-J4-70A
Panasonic	P	No Brake (Horizontal Type)	750	220	MHMD082G1U	MCDHT3520
		With Brake (Vertical Type)	750	220	MHMD082G1V	MCDHT3520
Delta	T	No Brake (Horizontal Type)	750	220	ECMA-C20807ES	ASD-B20721-B
		With Brake (Vertical Type)	750	220	ECMA-C20807FS	ASD-B20721-B

motor exposed

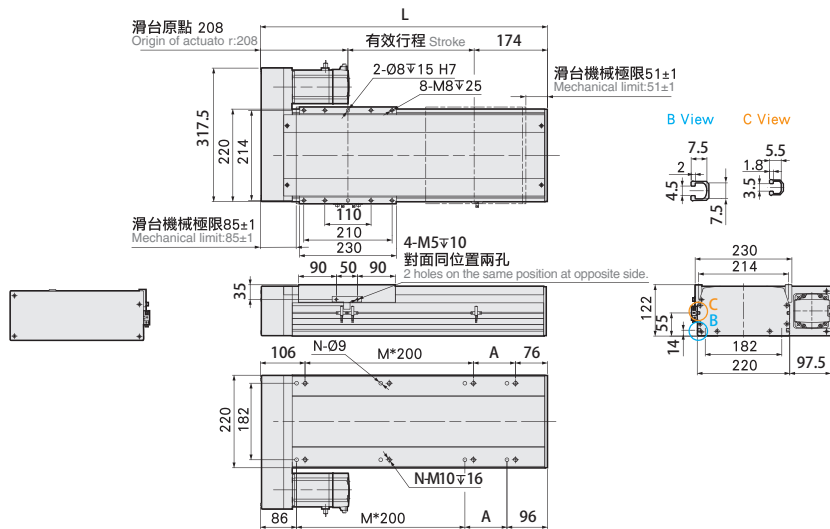
Unit:mm



有效行程 Stroke	50	100	150	200	250	300	350	400	450	500	550	600	650	700	750	800	850	900	950	1000	1050	1100	1150	1200	1250	1300	1350	1400	1450	1500
L	470	520	570	620	670	720	770	820	870	920	970	1020	1070	1120	1170	1220	1270	1320	1370	1420	1470	1520	1570	1620	1670	1720	1770	1820	1870	1920
A	50	100	150	200	50	100	150	200	50	100	150	200	50	100	150	200	50	100	150	200	50	100	150	200	50	100	150	200	50	100
M	1	1	1	1	2	2	2	2	3	3	3	3	4	4	4	4	5	5	5	5	6	6	6	6	7	7	7	7	8	8
N	6	6	6	6	8	8	8	8	10	10	10	10	12	12	12	12	14	14	14	14	14	14	16	16	16	18	18	18	20	20
KG	25.4	26.86	28.32	29.78	31.24	32.7	34.16	35.62	37.08	38.54	40	41.46	42.92	44.38	45.84	47.3	48.76	50.22	51.68	53.14	54.6	56.06	57.52	58.98	60.44	61.9	63.36	64.82	66.28	67.74

motor right side

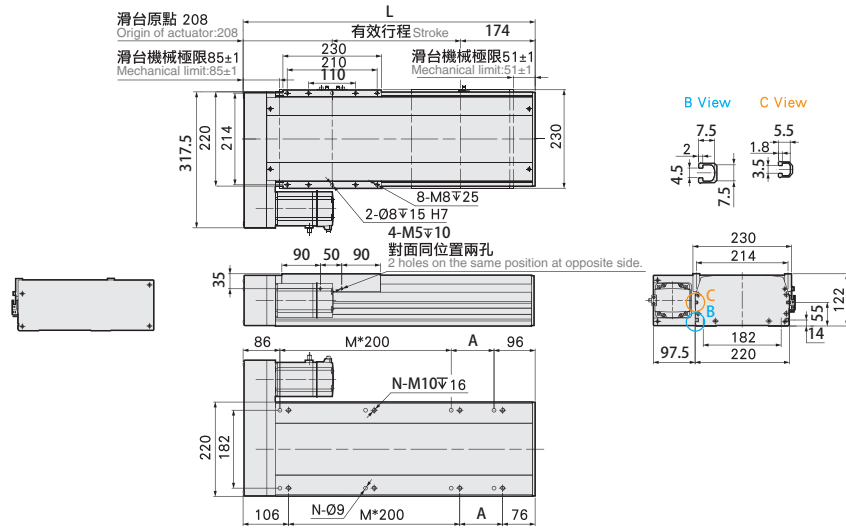
Unit:mm



有效行程 Stroke	50	100	150	200	250	300	350	400	450	500	550	600	650	700	750	800	850	900	950	1000	1050	1100	1150	1200	1250	1300	1350	1400	1450	1500
L	432	482	532	582	632	682	732	782	832	882	932	982	1032	1082	1132	1182	1232	1282	1332	1382	1432	1482	1532	1582	1632	1682	1732	1782	1832	1882
A	50	100	150	200	50	100	150	200	50	100	150	200	50	100	150	200	50	100	150	200	50	100	150	200	50	100	150	200	50	100
M	1	1	1	1	2	2	2	2	3	3	3	3	4	4	4	4	5	5	5	5	6	6	6	6	7	7	7	7	8	8
N	6	6	6	6	8	8	8	8	10	10	10	10	12	12	12	12	14	14	14	14	14	14	16	16	16	18	18	18	20	20
KG	24.2	25.66	27.12	28.58	30.04	31.5	32.96	34.42	35.88	37.34	38.8	40.26	41.72	43.18	44.64	46.1	47.56	49.02	50.48	51.94	53.4	54.86	56.32	57.78	59.24	60.7	62.16	63.62	65.08	66.54

motor left side

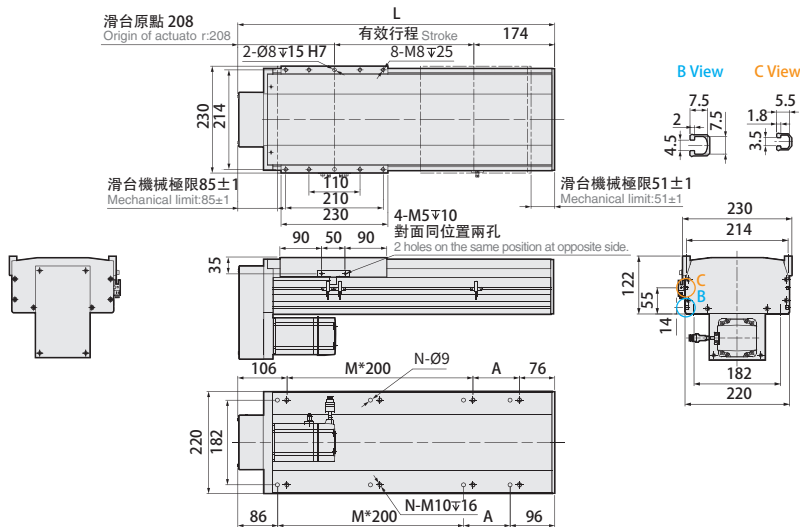
Unit:mm



有效行程 Stroke	50	100	150	200	250	300	350	400	450	500	550	600	650	700	750	800	850	900	950	1000	1050	1100	1150	1200	1250	1300	1350	1400	1450	1500	
L	432	482	532	582	632	682	732	782	832	882	932	982	1032	1082	1132	1182	1232	1282	1332	1382	1432	1482	1532	1582	1632	1682	1732	1782	1832	1882	
A	50	100	150	200	50	100	150	200	50	100	150	200	50	100	150	200	50	100	150	200	50	100	150	200	50	100	150	200	50	100	
M	1	1	1	1	2	2	2	2	3	3	3	3	4	4	4	4	5	5	5	5	6	6	6	6	7	7	7	7	8	8	
N	6	6	6	6	8	8	8	8	8	10	10	10	10	12	12	12	12	14	14	14	14	16	16	16	16	18	18	18	18	20	20
KG	24.2	25.66	27.12	28.58	30.04	31.5	32.96	34.42	35.88	37.34	38.8	40.26	41.72	43.18	44.64	46.1	47.56	49.02	50.48	51.94	53.4	54.86	56.32	57.78	59.24	60.7	62.16	63.62	65.08	66.54	

motor bottom side

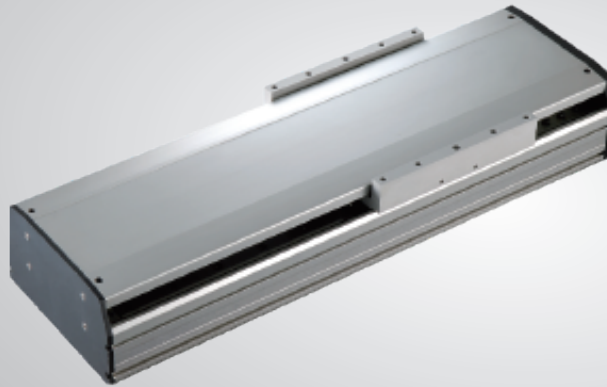
Unit:mm



有效行程 Stroke	50	100	150	200	250	300	350	400	450	500	550	600	650	700	750	800	850	900	950	1000	1050	1100	1150	1200	1250	1300	1350	1400	1450	1500	
L	432	482	532	582	632	682	732	782	832	882	932	982	1032	1082	1132	1182	1232	1282	1332	1382	1432	1482	1532	1582	1632	1682	1732	1782	1832	1882	
A	50	100	150	200	50	100	150	200	50	100	150	200	50	100	150	200	50	100	150	200	50	100	150	200	50	100	150	200	50	100	
M	1	1	1	1	2	2	2	2	3	3	3	3	4	4	4	4	5	5	5	5	6	6	6	6	7	7	7	7	8	8	
N	6	6	6	6	8	8	8	8	8	10	10	10	10	12	12	12	12	14	14	14	14	16	16	16	16	18	18	18	18	20	20
KG	24.2	25.66	27.12	28.58	30.04	31.5	32.96	34.42	35.88	37.34	38.8	40.26	41.72	43.18	44.64	46.1	47.56	49.02	50.48	51.94	53.4	54.86	56.32	57.78	59.24	60.7	62.16	63.62	65.08	66.54	

LETH27 1-axis

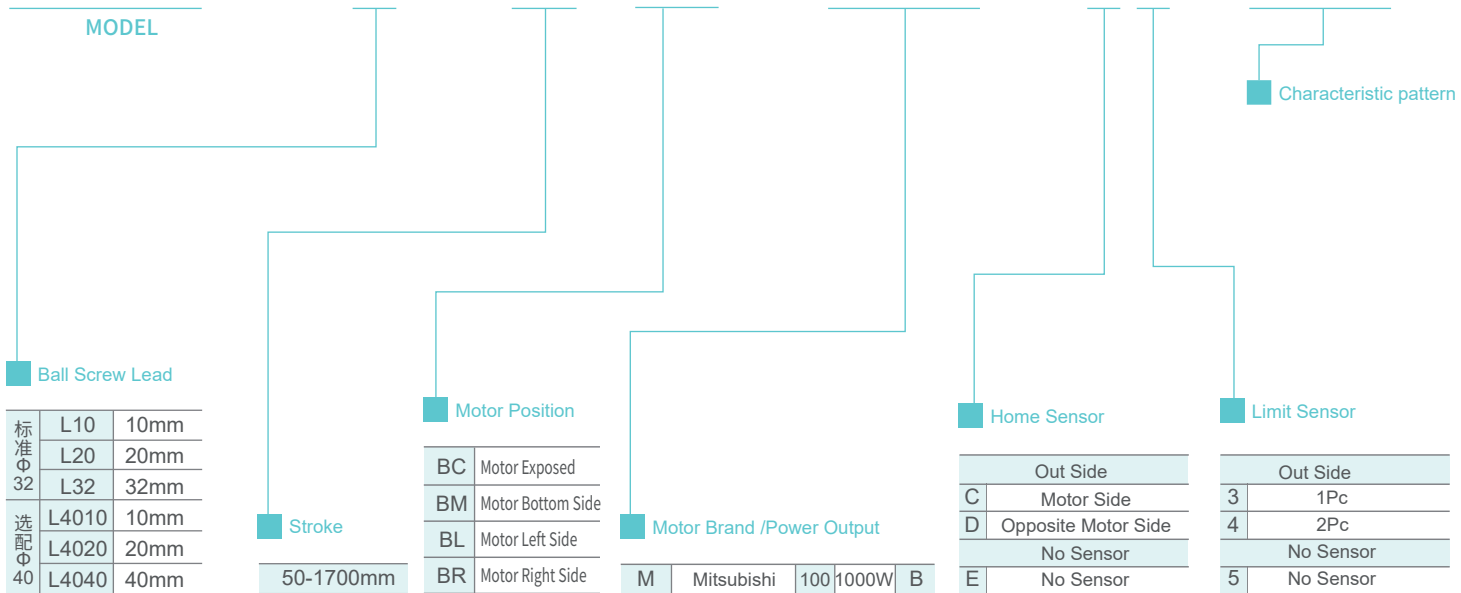
▶ Screw drive



- Maximum Stroke** 1700mm
- Maximum Speed** 1066mm/s
- Motor output** 1000W
- Ball Screw** Φ 32mm
- Straight rail** 28×26-2支

Model naming method

LETH27 - L10 - 50 - BC - M100B - C4 - 0001



LGTH series
 LGCH series
 LETH series
 LECH series
 KK series

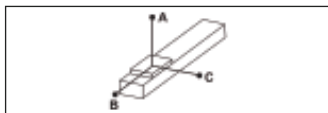
Product parameter

Position repetition accuracy (mm)		±0.01			
Ball Screw Lead (mm)		10	20	32	10
Max. speed(mm/s)		333	666	1066	333
Max. load(KG)	Max. horizontal load(KG)	200	170	70	220
	Max. vertical load(KG)	105	75	40	150
Rated thrust (N)		2549	1274	796	2549
Standard stroke (mm)		50-1700mm/50mm Pitch			
AC servo motor capacity(W)		1000			
Ball Screw (mm)		C7Φ32		C7Φ40	
High Rigidity Linear Guide (mm)		W28xH26		W34xH29	
Coupling (mm)		22x24		22x24	
Origin inductor	Outside	UX672-WR(NPN)			

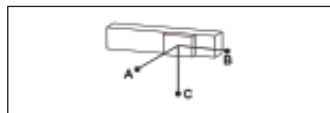
※ 1 Acceleration and deceleration value is set 0.2 second.

※ 2 When the stroke exceeds 1200, the screw will be biased. At this time, please reduce the speed and use the maximum speed of the motor 2000rpm

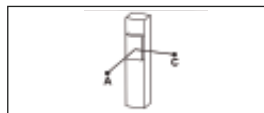
Allowable Overhang



(Unit : mm)

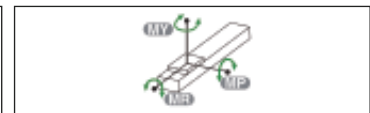


(Unit : mm)



(Unit : mm)

Static Loading Moment



(Unit : N.m)

Horizontal Installation		负载/kg	A/mm	B/mm	C/mm	Wall Installation		负载/kg	A/mm	B/mm	C/mm	Vertical Installation		负载/kg	A/mm	C/mm
Φ32	导程 10 mm	120	1890	460	475	Φ32	导程 10 mm	120	440	480	1425	Φ32	导程 10 mm	55	990	1025
		160	1390	340	350			160	315	340	1175			80	670	705
		200	1090	260	265			200	230	260	925			105	490	525
	导程 20 mm	100	1690	495	510		导程 20 mm	95	490	510	1225		导程 20 mm	50	890	975
		135	1190	360	370			125	350	370	975			60	690	725
		170	890	265	275			165	240	265	725			75	620	655
导程 32 mm	45	1490	710	725	导程 32 mm	50	640	660	925	导程 32 mm	30	890	925			
	70	1090	460	475		70	420	450	775		40	590	625			
Φ40	导程 10 mm	130	1393	511	526	Φ40	导程 10 mm	130	493	511	1426	Φ40	导程 10 mm	70	993	1011
		175	1143	361	376			175	343	361	1176			100	723	741
		220	893	261	276			220	243	261	926			150	303	321

(Unit : N.m)

MY	2320
MP	2000
MR	2000

* The torque value in the chart indicate the center of gravity.

* Operation life is 10,000km when the product is using under the specified conditions.

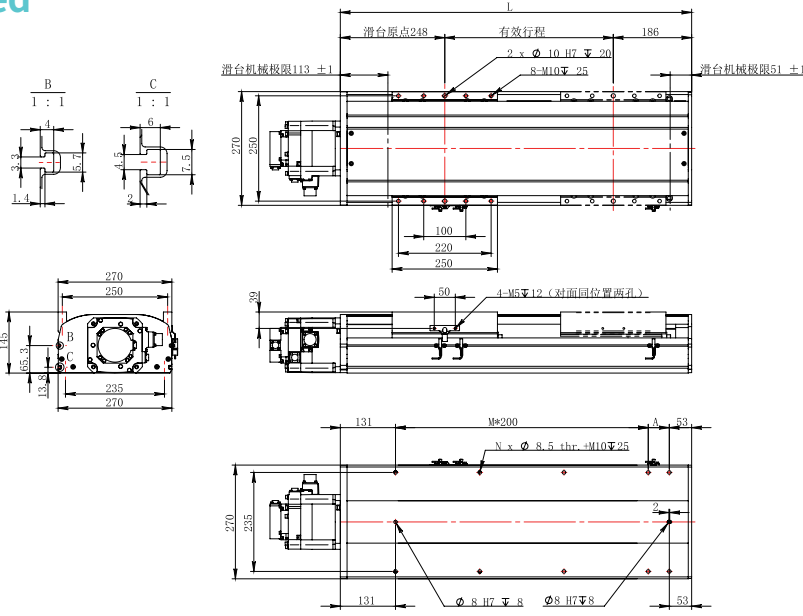
* Data information is not for ceiling-mount inverse use. Contact us for the details if you want to apply ceiling-mount inverse usage.

Suitable Motor Brand

Brand	Mark	Brake	Wait	AC-Voltage	Motor Model	Driver Model
Mitsubishi	M	No Brake (Horizontal Type)	1000	220	HG-SR103	MR-J4 -100A
		With Brake (Vertical Type)	1000	220	HG-SR103B	MR-J4 -100A
Panasonic	P	No Brake (Horizontal Type)	1000	220	MDMF102L1G6	MDDLTL45SF
		With Brake (Vertical Type)	1000	220	MDMF102L1H6	MDDLTL45SF

motor exposed

Unit:mm

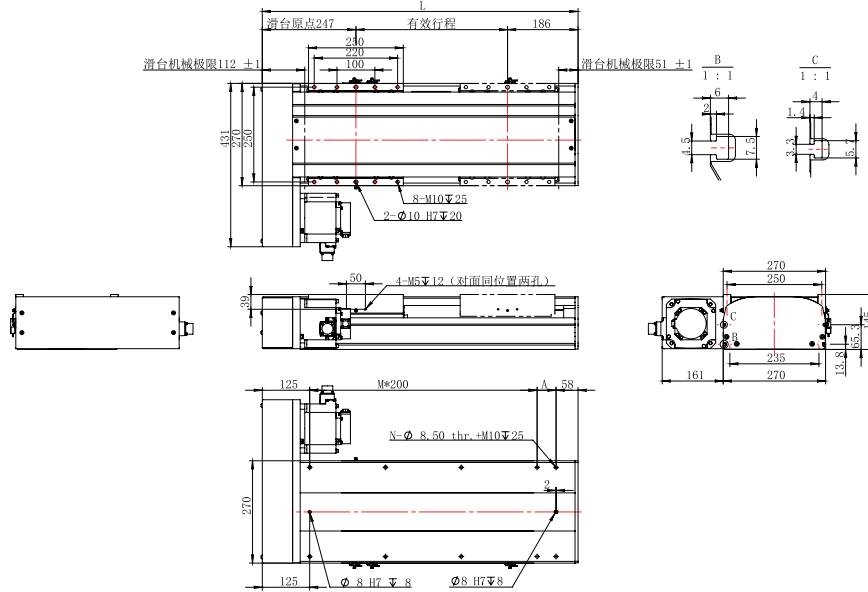


※行程 50 時，因本體上鎖式固定孔會被滑座遮住，僅能使用 4 支螺絲固定，建議客戶本體使用下鎖式固定孔鎖附。
When the stroke is 50mm, if fixing the body from the top to the bottom, the fixing hole will be blocked by slider and only can be uses 4 screws to fixas a result, suggest that fixing actuator body from the bottom to the top.

有效行程	50	100	150	200	250	300	350	400	450	500	550	600	650	700	750	800	850	900	950	1000	1050	1100	1150	1200	1250	1300	1350	1400	1450	1500	1550	1600	1650	1700
L	484	534	584	634	684	734	784	834	884	934	984	1034	1084	1134	1184	1234	1284	1334	1384	1434	1484	1534	1584	1634	1684	1734	1784	1834	1884	1934	1984	2034	2084	2134
A	100	150	200	50	100	150	200	50	100	150	200	50	100	150	200	50	100	150	200	50	100	150	200	50	100	150	200	50	100	150	200	50	100	150
M	1	1	1	2	2	2	2	3	3	3	3	4	4	4	4	5	5	5	5	6	6	6	6	7	7	7	7	8	8	8	8	9	9	9
N	6	6	6	8	8	8	8	10	10	10	10	12	12	12	12	14	14	14	14	16	16	16	16	18	18	18	18	20	20	20	20	22	22	22
KG	33.19	35.05	36.92	38.82	40.69	42.61	44.46	46.32	48.22	50.09	51.96	53.86	55.72	57.65	59.50	61.35	63.26	65.13	67.00	68.89	70.76	72.69	74.54	76.39	78.30	80.17	82.03	83.93	85.80	87.73	89.57	91.43	93.34	95.21

motor left side

Unit:mm

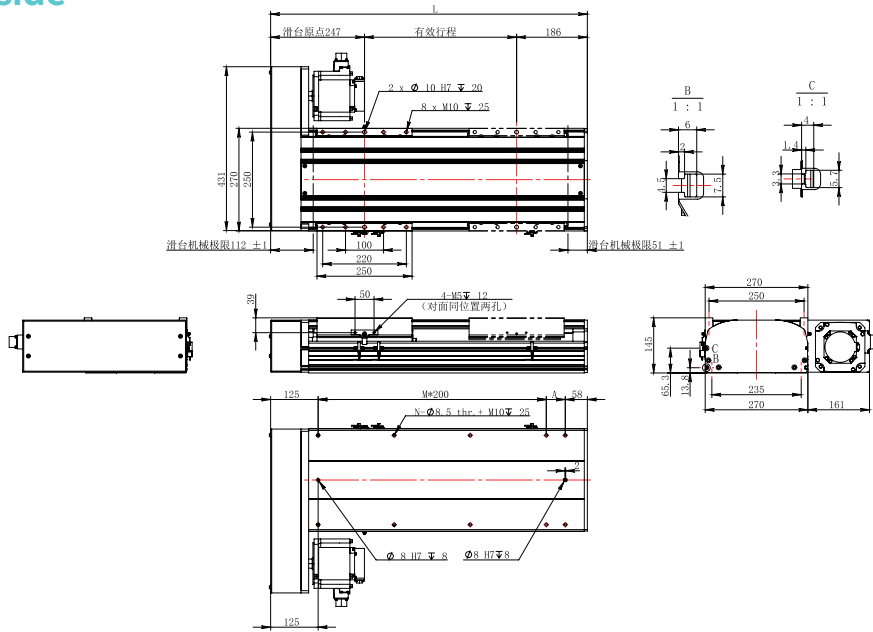


※行程 50 時，因本體上鎖式固定孔會被滑座遮住，僅能使用 4 支螺絲固定，建議客戶本體使用下鎖式固定孔鎖附。
When the stroke is 50mm, if fixing the body from the top to the bottom, the fixing hole will be blocked by slider and only can be uses 4 screws to fixas a result, suggest that fixing actuator body from the bottom to the top.

有效行程	50	100	150	200	250	300	350	400	450	500	550	600	650	700	750	800	850	900	950	1000	1050	1100	1150	1200	1250	1300	1350	1400	1450	1500	1550	1600	1650	1700
L	483	533	583	633	683	733	783	833	883	933	983	1033	1083	1133	1183	1233	1283	1333	1383	1433	1483	1533	1583	1633	1683	1733	1783	1833	1883	1933	1983	2033	2083	2133
A	100	150	200	50	100	150	200	50	100	150	200	50	100	150	200	50	100	150	200	50	100	150	200	50	100	150	200	50	100	150	200	50	100	150
M	1	1	1	2	2	2	2	3	3	3	3	4	4	4	4	5	5	5	5	6	6	6	6	7	7	7	7	8	8	8	8	9	9	9
N	6	6	6	8	8	8	8	10	10	10	10	12	12	12	12	14	14	14	14	16	16	16	16	18	18	18	18	20	20	20	20	22	22	22
KG	34.85	36.71	38.58	40.48	42.34	44.27	46.12	47.97	49.88	51.75	53.61	55.51	57.38	59.30	61.15	63	64.91	66.78	68.64	70.54	72.41	74.33	76.18	78.04	79.94	81.81	83.68	85.57	87.44	89.36	91.21	93.07	94.98	96.84

motor right side

Unit:mm



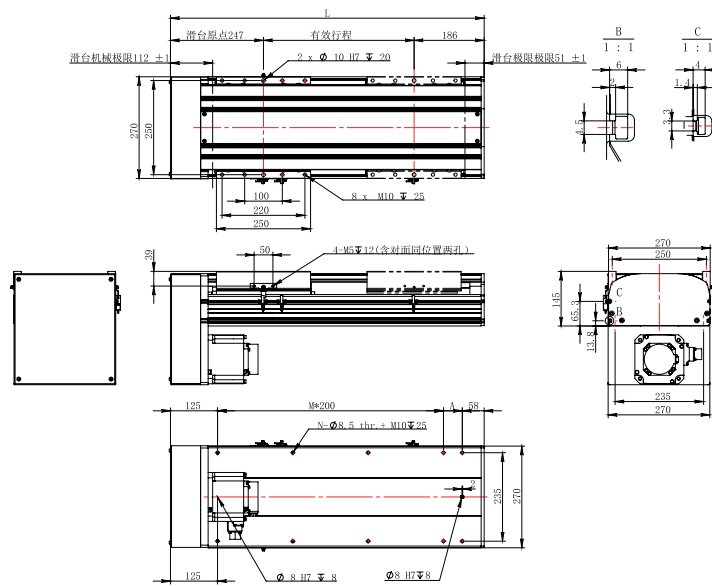
※行程 50 時，因本體上鎖式固定孔會被滑座遮住，僅能使用 4 支螺絲固定，建議客戶本體使用下鎖式固定孔鎖附。

When the stroke is 50mm, if fixing the body from the top to the bottom, the fixing hole will be blocked by slider and only can be uses 4 screws to fix, as a result, suggest that fixing actuator body from the bottom to the top.

有效行程	50	100	150	200	250	300	350	400	450	500	550	600	650	700	750	800	850	900	950	1000	1050	1100	1150	1200	1250	1300	1350	1400	1450	1500	1550	1600	1650	1700
L	483	533	583	633	683	733	783	833	883	933	983	1033	1083	1133	1183	1233	1283	1333	1383	1433	1483	1533	1583	1633	1683	1733	1783	1833	1883	1933	1983	2033	2083	2133
A	100	150	200	50	100	150	200	50	100	150	200	50	100	150	200	50	100	150	200	50	100	150	200	50	100	150	200	50	100	150	200	50	100	150
M	1	1	1	2	2	2	2	3	3	3	3	4	4	4	4	5	5	5	5	6	6	6	6	7	7	7	7	8	8	8	8	9	9	9
N	6	6	6	8	8	8	8	8	10	10	10	10	12	12	12	14	14	14	14	16	16	16	16	18	18	18	18	20	20	20	20	22	22	22
KG	34.84	36.71	38.57	40.47	42.33	44.26	46.11	47.76	49.87	51.74	53.6	55.5	57.37	59.29	61.14	62.99	64.9	66.77	68.63	70.53	72.4	74.32	76.17	78.03	79.93	81.8	83.67	85.56	87.43	89.36	91.2	93.06	94.97	96.83

motor bottom side

Unit:mm



※行程 50 時，因本體上鎖式固定孔會被滑座遮住，僅能使用 4 支螺絲固定，建議客戶本體使用下鎖式固定孔鎖附。

When the stroke is 50mm, if fixing the body from the top to the bottom, the fixing hole will be blocked by slider and only can be uses 4 screws to fix, as a result, suggest that fixing actuator body from the bottom to the top.

有效行程	50	100	150	200	250	300	350	400	450	500	550	600	650	700	750	800	850	900	950	1000	1050	1100	1150	1200	1250	1300	1350	1400	1450	1500	1550	1600	1650	1700
L	483	533	583	633	683	733	783	833	883	933	983	1033	1083	1133	1183	1233	1283	1333	1383	1433	1483	1533	1583	1633	1683	1733	1783	1833	1883	1933	1983	2033	2083	2133
A	100	150	200	50	100	150	200	50	100	150	200	50	100	150	200	50	100	150	200	50	100	150	200	50	100	150	200	50	100	150	200	50	100	150
M	1	1	1	2	2	2	2	3	3	3	3	4	4	4	4	5	5	5	5	6	6	6	6	7	7	7	7	8	8	8	8	9	9	9
N	6	6	6	8	8	8	8	8	10	10	10	10	12	12	12	14	14	14	14	16	16	16	16	18	18	18	18	20	20	20	20	22	22	22
KG	38.07	39.94	41.8	43.7	45.57	47.49	49.34	51.19	53.1	54.97	56.83	58.73	60.60	62.52	64.37	66.23	68.13	70	71.87	73.76	75.63	77.56	79.40	81.26	83.17	85.04	86.90	88.80	90.66	92.59	94.44	96.29	98.20	100.1

Spec Index of Electric Actuator

LGTH
LETH series

LETH Ball Screw Actuator- Slider Type

LGCH
LECH series

Environment	Driven Mode	Specification	Motor Output (w)	Width(mm)	Repeatability (mm)	Ball Screw Spec		Maximum Payload(kg)		Maximum Speed (mm/s)													
						Outer Diameter (mm)	Lead(mm)	Horizontal	Vertical		行程50	100	150	200	250	300	350	400	450	500			
Standard	Ball screw	LETH27	1000W	270	±0.01	32	10	200	105	333													
							20	170	75	666													
							32	70	40	1066													
Standard	Ball screw	LETH27	1500W	270	±0.01	40	10	220	150	333													
							20	190	90	666													
							40	50	30	1333													

LETH
LETH series

Environment	Driven Mode	Specification	Motor Output (w)	Width(mm)	Repeatability (mm)	Ball Screw Spec		Maximum Payload(kg)		Maximum Speed (mm/s)														
						Outer Diameter (mm)	Lead(mm)	Horizontal	Vertical		行程50	100	150	200	250	300	350	400	450	500				
Standard	Ball screw	LETH27	1000W	270	±0.01	32	10	200	105	500											500			
							20	170	75	1000														1000
							32	70	40	1600														
Standard	Ball screw	LETH27	1500W	270	±0.01	40	10	220	150	500														
							20	190	90	1000														
							40	50	30	2000														

LECH
LECH series

KK
KK series

LGTH series

Stroke(mm) & Maximum Speed(mm/s)																									
550	600	650	700	750	800	850	900	950	1000	1050	1100	1150	1200	1250	1300	1350	1400	1450	1500	1550	1600	1650	1700	1750	1800
333												290	250	225	200	180									
666												580	500	450	400	365									
1066												930	800	720	640	585									
333													300	266	233	216	190								
666													600	533	466	433	380								
1333													1200	1066	933	866	765								

LGCH series

LETH series

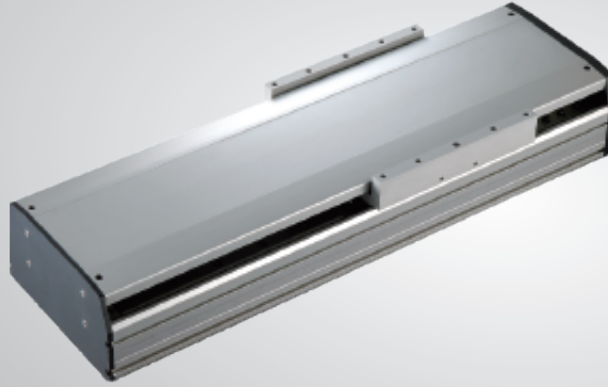
Stroke(mm) & Maximum Speed(mm/s)																									
550	600	650	700	750	800	850	900	950	1000	1050	1100	1150	1200	1250	1300	1350	1400	1450	1500	1550	1600	1650	1700	1750	1800
0											430	333	290	250	225	200	180								
0											860	666	580	500	450	400	365								
0											1376	1066	930	800	720	640	585								
500												415	333	300	266	233	216	190							
1000												830	666	600	533	466	433	380							
2000												1660	1066	1200	1066	933	866	765							

LECH series

KK series

LETH27 1-axis

▶ Screw drive



Maximum Stroke 1700mm

Maximum Speed 1600mm/s

Motor output 1500W

Ball Screw $\Phi 32\text{mm}$

Straight rail 28×26-2支

Model naming method

LETH27 - L10 - 50 - BC - IN150B - C4 - 0001

MODEL

Characteristic pattern

Ball Screw Lead

标准 Φ 32	L10	10mm
	L20	20mm
	L32	32mm
选配 Φ 40	L4010	10mm
	L4020	20mm
	L4040	40mm

Stroke

50-1700mm

Motor Position

BC	Motor Exposed
BM	Motor Bottom Side
BL	Motor Left Side
BR	Motor Right Side

Motor Brand /Power Output

IN INOVANCE 150 1500W B

Home Sensor

	Out Side
C	Motor Side
D	Opposite Motor Side
	No Sensor
E	No Sensor

Limit Sensor

	Out Side
3	1Pc
4	2Pc
	No Sensor
5	No Sensor

LGTH series
 LGCH series
 LETH series
 LECH series
 KK series

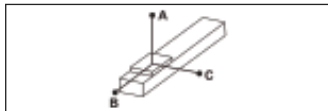
Product parameter

Position repetition accuracy (mm)		±0.01			
Ball Screw Lead (mm)		10	20	32	10
Max. speed(mm/s)		500	1000	1600	500
Max. load(KG)	Max. horizontal load(KG)	200	170	65	220
	Max. vertical load(KG)	105	75	35	150
Rated thrust (N)		2549	1274	796	2549
Standard stroke (mm)		50-1700mm/50mm Pitch			
AC servo motor capacity(W)		1500			
Ball Screw (mm)		C7Φ32		C7Φ40	
High Rigidity Linear Guide (mm)		W28xH26		W34xH29	
Coupling (mm)		22x24		22x24	
Origin inductor	Outside	UX672-WR(NPN)			

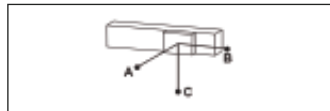
※ 1 Acceleration and deceleration value is set 0.2 second.

※ 2 When the stroke is more than 1000, the screw will be biased, at this time, please reduce the speed and use the maximum speed of the motor 3000rpm

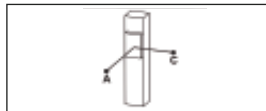
Allowable Overhang



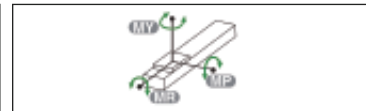
(Unit : mm)



(Unit : mm)



(Unit : mm)



(Unit : N.m)

Horizontal Installation	负载/kg	A/mm	B/mm	C/mm	
Φ32	导程 10 mm	120	1890	460	475
		160	1390	340	350
		200	1090	260	265
	导程 20 mm	100	1690	495	510
		135	1190	360	370
		170	890	265	275
导程 32 mm	45	1490	710	725	
	65	1090	460	475	
Φ40	导程 10 mm	130	1393	511	526
		175	1143	361	376
		220	893	261	276

Wall Installation	负载/kg	A/mm	B/mm	C/mm	
Φ32	导程 10 mm	120	440	480	1425
		160	315	340	1175
		200	230	260	925
	导程 20 mm	95	490	510	1225
		125	350	370	975
		165	240	265	725
导程 32 mm	50	640	660	925	
	65	420	450	775	
Φ40	导程 10 mm	130	493	511	1426
		175	343	361	1176
		220	243	261	926

Vertical Installation	负载/kg	A/mm	C/mm	
Φ32	导程 10 mm	55	990	1025
		80	670	705
		105	490	525
	导程 20 mm	50	890	975
		60	690	725
		75	620	655
导程 32 mm	30	890	925	
	35	590	625	
Φ40	导程 10 mm	70	993	1011
		100	723	741
		150	303	321

(Unit : N.m)

MY	2320
MP	2000
MR	2000

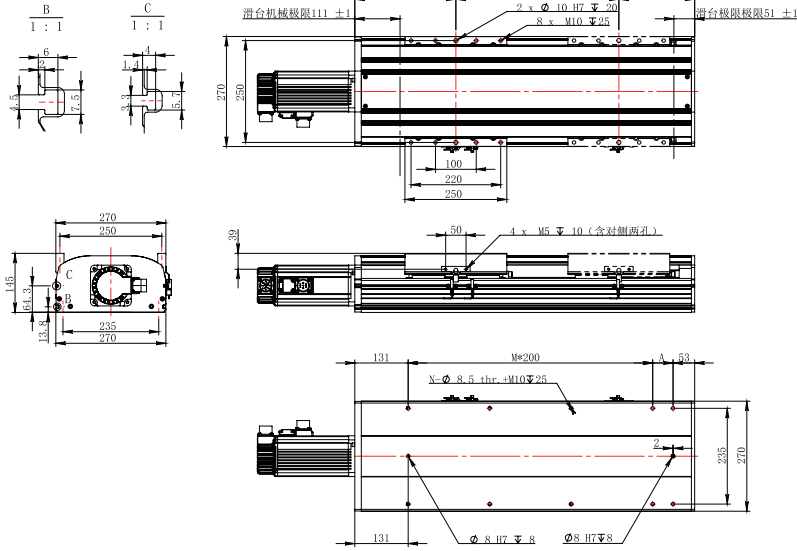
* The torque value in the chart indicate the center of gravity.
 * Operation life is 10,000km when the product is using under the specified conditions.
 * Data information is not for ceiling-mount inverse use. Contact us for the details if you want to apply ceiling-mount inverse usage.

Suitable Motor Brand

Brand	Mark	Brake	Watt	AC-Voltage	Motor Model	Driver Model
Inovance	IN	No Brake (Horizontal Type)	1500	220	MS1H2-15C30CB -A331Z	SV660PS012I
		With Brake (Vertical Type)	1500	220	MS1H2-15C30CB -A334Z	SV660PS012I

motor exposed

Unit:mm

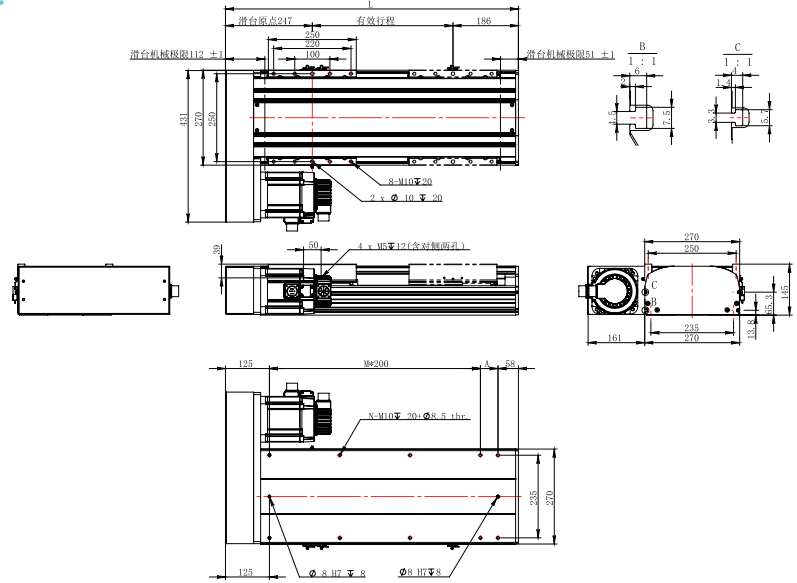


※行程 50 時，因本體上鎖式固定孔會被滑座遮住，僅能使用 4 支螺絲固定，建議客戶本體使用下鎖式固定孔鎖附。
When the stroke is 50mm, if fixing the body from the top to the bottom, the fixing hole will be blocked by slider and only can be uses 4 screws to fix; as a result, suggest that fixing actuator body from the bottom to the top.

有效行程	50	100	150	200	250	300	350	400	450	500	550	600	650	700	750	800	850	900	950	1000	1050	1100	1150	1200	1250	1300	1350	1400	1450	1500	1550	1600	1650	1700
L	484	534	584	634	684	734	784	834	884	934	984	1034	1084	1134	1184	1234	1284	1334	1384	1434	1484	1534	1584	1634	1684	1734	1784	1834	1884	1934	1984	2034	2084	2134
A	100	150	200	50	100	150	200	50	100	150	200	50	100	150	200	50	100	150	200	50	100	150	200	50	100	150	200	50	100	150	200	50	100	150
M	1	1	1	2	2	2	2	3	3	3	3	4	4	4	4	5	5	5	5	6	6	6	6	7	7	7	7	8	8	8	8	9	9	9
N	6	6	6	8	8	8	8	10	10	10	10	12	12	12	12	14	14	14	14	16	16	16	16	18	18	18	18	20	20	20	20	22	22	22
KG	30.38	32.05	33.72	35.38	37.06	38.73	40.40	42.06	43.73	45.40	47.07	48.74	50.41	52.09	53.75	55.41	57.08	58.76	60.43	62.09	63.76	65.44	67.10	68.77	70.44	72.12	73.79	75.46	77.13	78.82	80.48	82.15	83.82	85.50

motor left side

Unit:mm

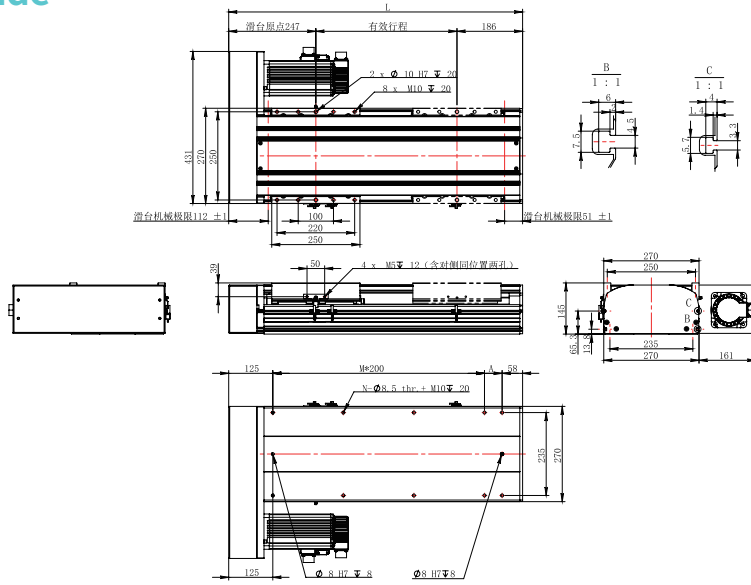


※行程 50 時，因本體上鎖式固定孔會被滑座遮住，僅能使用 4 支螺絲固定，建議客戶本體使用下鎖式固定孔鎖附。
When the stroke is 50mm, if fixing the body from the top to the bottom, the fixing hole will be blocked by slider and only can be uses 4 screws to fix; as a result, suggest that fixing actuator body from the bottom to the top.

有效行程	50	100	150	200	250	300	350	400	450	500	550	600	650	700	750	800	850	900	950	1000	1050	1100	1150	1200	1250	1300	1350	1400	1450	1500	1550	1600	1650	1700
L	483	533	583	633	683	733	783	833	883	933	983	1033	1083	1133	1183	1233	1283	1333	1383	1433	1483	1533	1583	1633	1683	1733	1783	1833	1883	1933	1983	2033	2083	2133
A	100	150	200	50	100	150	200	50	100	150	200	50	100	150	200	50	100	150	200	50	100	150	200	50	100	150	200	50	100	150	200	50	100	150
M	1	1	1	2	2	2	2	3	3	3	3	4	4	4	4	5	5	5	5	6	6	6	6	7	7	7	7	8	8	8	8	9	9	9
N	6	6	6	8	8	8	8	10	10	10	10	12	12	12	12	14	14	14	14	16	16	16	16	18	18	18	18	20	20	20	20	22	22	22
KG	32.11	34.30	36.48	38.70	40.88	43.15	45.29	47.47	49.70	51.88	54.06	56.28	58.47	60.73	62.88	65.05	67.28	69.47	71.65	73.87	76.05	78.32	80.46	82.64	84.86	87.05	89.23	91.45	93.63	95.90	98.05	100.2	102.5	104.6

motor right side

Unit:mm

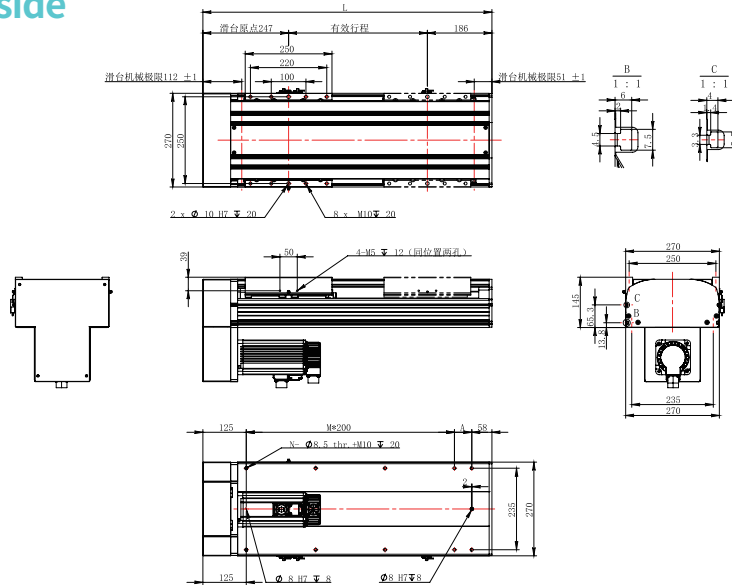


※行程 50 時，因本體上鎖式固定孔會被滑座遮住，僅能使用 4 支螺絲固定，建議客戶本體使用下鎖式固定孔鎖附。
When the stroke is 50mm, if fixing the body from the top to the bottom, the fixing hole will be blocked by slider and only can be uses 4 screws to fix; as a result, suggest that fixing actuator body from the bottom to the top.

有效行程	50	100	150	200	250	300	350	400	450	500	550	600	650	700	750	800	850	900	950	1000	1050	1100	1150	1200	1250	1300	1350	1400	1450	1500	1550	1600	1650	1700	
L	483	533	583	633	683	733	783	833	883	933	983	1033	1083	1133	1183	1233	1283	1333	1383	1433	1483	1533	1583	1633	1683	1733	1783	1833	1883	1933	1983	2033	2083	2133	
A	100	150	200	50	100	150	200	50	100	150	200	50	100	150	200	50	100	150	200	50	100	150	200	50	100	150	200	50	100	150	200	50	100	150	200
M	1	1	1	2	2	2	2	3	3	3	3	4	4	4	4	5	5	5	5	6	6	6	6	7	7	7	7	8	8	8	8	9	9	9	
N	6	6	6	8	8	8	8	10	10	10	10	12	12	12	12	14	14	14	14	16	16	16	16	18	18	18	18	20	20	20	20	22	22	22	
KG	32.11	34.30	36.48	38.70	40.88	43.15	45.29	47.47	49.70	51.88	54.06	56.28	58.47	60.73	62.88	65.05	67.28	69.47	71.65	73.87	76.05	78.32	80.46	82.64	84.86	87.05	89.23	91.45	93.63	95.90	98.05	100.2	102.5	104.6	

motor bottom side

Unit:mm



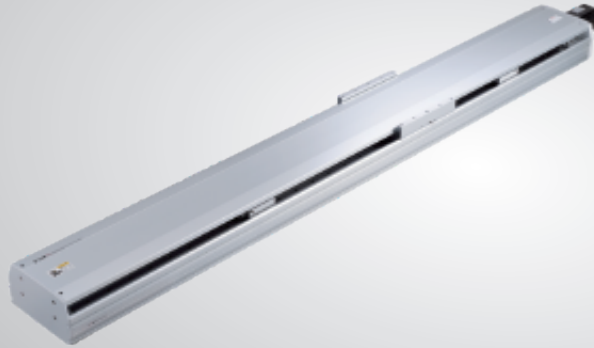
※行程 50 時，因本體上鎖式固定孔會被滑座遮住，僅能使用 4 支螺絲固定，建議客戶本體使用下鎖式固定孔鎖附。
When the stroke is 50mm, if fixing the body from the top to the bottom, the fixing hole will be blocked by slider and only can be uses 4 screws to fix; as a result, suggest that fixing actuator body from the bottom to the top.

有效行程	50	100	150	200	250	300	350	400	450	500	550	600	650	700	750	800	850	900	950	1000	1050	1100	1150	1200	1250	1300	1350	1400	1450	1500	1550	1600	1650	1700	
L	483	533	583	633	683	733	783	833	883	933	983	1033	1083	1133	1183	1233	1283	1333	1383	1433	1483	1533	1583	1633	1683	1733	1783	1833	1883	1933	1983	2033	2083	2133	
A	100	150	200	50	100	150	200	50	100	150	200	50	100	150	200	50	100	150	200	50	100	150	200	50	100	150	200	50	100	150	200	50	100	150	200
M	1	1	1	2	2	2	2	3	3	3	3	4	4	4	4	5	5	5	5	6	6	6	6	7	7	7	7	8	8	8	8	9	9	9	
N	6	6	6	8	8	8	8	10	10	10	10	12	12	12	12	14	14	14	14	16	16	16	16	18	18	18	18	20	20	20	20	22	22	22	
KG	39.61	41.79	43.98	46.19	48.38	50.64	52.79	54.96	57.19	59.38	61.56	63.78	65.96	68.23	70.37	72.55	74.77	76.96	79.14	81.36	83.55	85.81	87.96	90.13	92.36	94.54	96.73	98.95	101.13	103.4	105.5	107.7	109.94	112.1	

LETH17M 1-axis

▶ Long stroke

▶ Screw drive



Maximum Stroke 2200mm

Maximum Speed 1280mm/s

Motor output 750W

Ball Screw Φ16mm

Straight rail 15×12.5-2支

Model naming method

LETH17M - L5 - 800 - BC - M75B - C4 - 0001

MODEL

Characteristic pattern

Ball Screw Lead

5	5mm
10	10mm
20	20mm
32	32mm

Stroke

800-2200mm

Motor Position

BC	Motor Exposed
BM	Motor Bottom Side
BL	Motor Left Side
BR	Motor Right Side

Motor Brand /Power Output

M	Mitsubishi	10	-	B
P	Panasonic	20	-	
Y	yaskawa	40	-	
T	Delta	75	750W	

Home Sensor

Out Side	
C	Motor Side
D	Opposite Motor Side
No Sensor	
E	No Sensor

Limit Sensor

Out Side	
3	1Pc
4	2Pc
No Sensor	
5	No Sensor

Product parameter

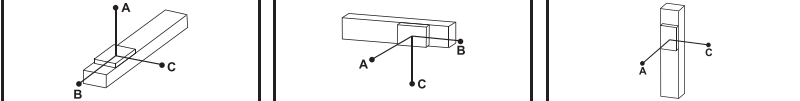
Position repetition accuracy (mm)		±0.01			
Ball Screw Lead (mm)		5	10	20	32
Max. speed(mm/s)		200	400	800	1280
Max. load(KG)	Max. horizontal load(KG)	120	95	50	35
	Max. vertical load(KG)	40	25	15	12
Rated thrust (N)		2563	1281	640	400
Standard stroke (mm)		800-2200mm/50mm Pitch			
AC servo motor capacity(W)		750			
Ball Screw (mm)		C7Φ16			
High Rigidity Linear Guide (mm)		W15×H12.5			
Coupling (mm)		10×19			
Origin inductor	Outside	EE-SX672(NPN)			

※1 Acceleration and deceleration value is set 0.2 second.

※2 When the stroke is over 1600mm, the run-out of the ballscrew will occur. We recommend to low down the working speed under this circumstances.

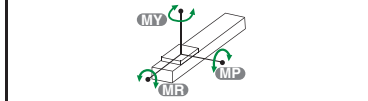
※3 Maximum motor speed: 2400rpm.

Allowable Overhang



Horizontal Installation				Wall Installation				Vertical Installation			
	A	B	C		A	B	C		A	C	
5 Lead	70kg	2092	162	208	75kg	190	148	1911	15kg	940	940
	90kg	1555	117	149	95kg	140	108	1450	22kg	640	640
	120kg	1080	78	100	120kg	100	78	1080	40kg	350	350
10 Lead	60kg	1107	172	208	65kg	188	156	1008	10kg	1248	1248
	75kg	848	130	156	80kg	144	119	788	14kg	894	894
	95kg	637	94	114	95kg	114	94	637	25kg	499	499
20 Lead	20kg	1498	491	520	25kg	408	382	1180	7kg	1417	1417
	30kg	973	313	334	35kg	280	262	825	10kg	993	993
	50kg	550	172	182	50kg	182	172	550	15kg	660	660
32 Lead	10kg	1311	692	625	15kg	408	449	860	5kg	1255	1255
	20kg	633	326	295	25kg	230	252	495	8kg	785	785
	35kg	339	169	156	35kg	156	169	339	12kg	525	525

Static Loading Moment



Moment	Value (Unit: N.m)
MY	552
MP	552
MR	638

* The torque value in the chart indicate the center of gravity.

* Operation life is 10,000km when the product is using under the specified conditions.

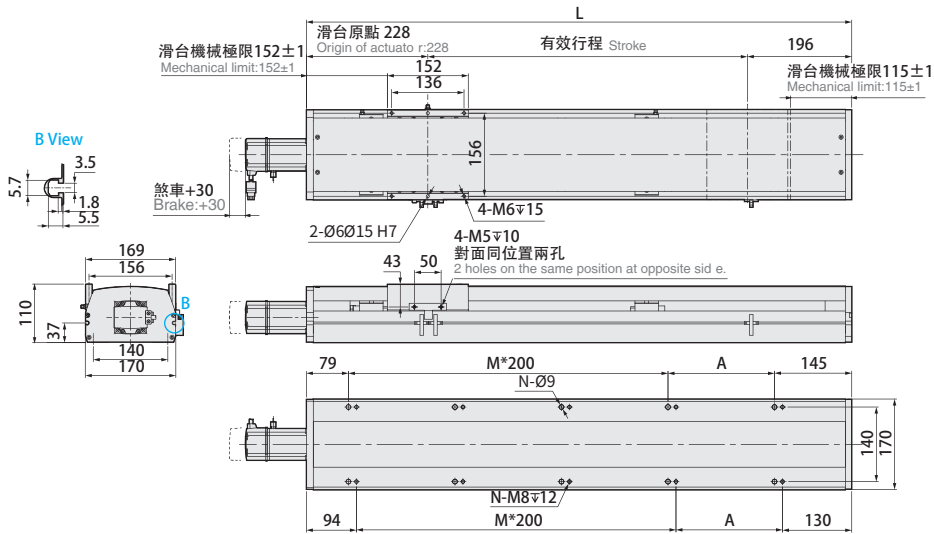
* Data information is not for ceiling-mount inverse use. Contact us for the details if you want to apply ceiling-mount inverse usage.

Suitable Motor Brand

Brand	Mark	Brake	Watt	AC-Voltage	Motor Model	Driver Model
Mitsubishi	M	No Brake (Horizontal Type)	750	220	HG-KR73	MR-J4-70A
		With Brake (Vertical Type)	750	220	HG-KR73B	MR-J4-70A
Panasonic	P	No Brake (Horizontal Type)	750	220	MHMD082G1U	MCDHT3520
		With Brake (Vertical Type)	750	220	MHMD082G1V	MCDHT3520
Delta	T	No Brake (Horizontal Type)	750	220	ECMA-C20807ES	ASD-B20721-B
		With Brake (Vertical Type)	750	220	ECMA-C20807FS	ASD-B20721-B

motor exposed

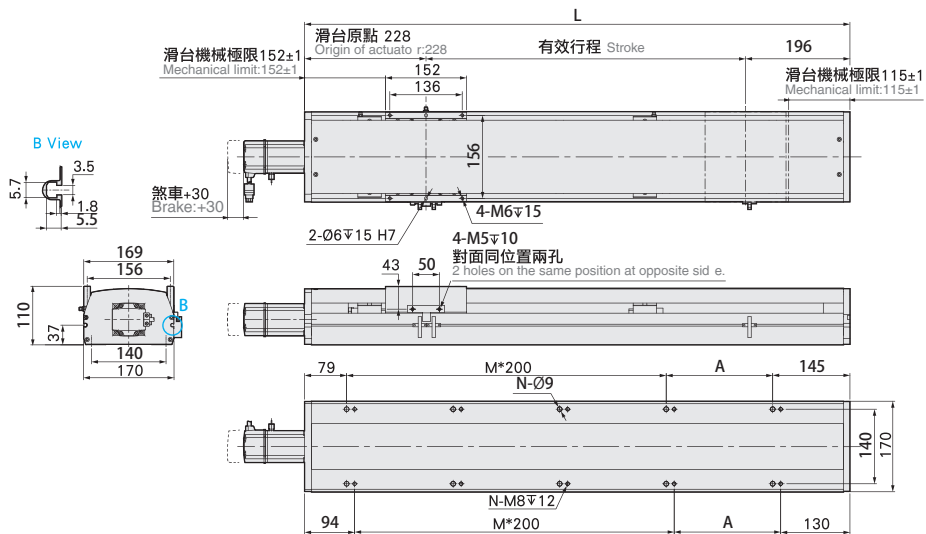
Unit:mm



有效行程 Stroke	800	850	900	950	1000	1050	1100	1150	1200	1250	1300	1350	1400	1450	1500	1550	1600	1650	1700	1750	1800	1850	1900	1950	2000	2050	2100	2150	2200
L	1396	1446	1496	1546	1596	1646	1696	1746	1796	1846	1896	1946	1996	2046	2096	2146	2196	2246	2296	2346	2396	2446	2496	2546	2596	2646	2696	2746	2796
A	200	50	100	150	200	50	100	150	200	50	100	150	200	50	100	150	200	50	100	150	200	50	100	150	200	50	100	150	200
M	4	5	5	5	5	6	6	6	6	7	7	7	7	8	8	8	8	9	9	9	9	10	10	10	10	11	11	11	11
N	12	14	14	14	14	16	16	16	16	18	18	18	18	20	20	20	20	22	22	22	22	24	24	24	24	26	26	26	26
KG	29.88	30.56	31.24	31.92	32.6	33.28	33.96	34.64	35.32	36	36.68	37.36	38.04	38.72	39.4	40.08	40.76	41.44	42.12	42.8	43.48	44.16	44.84	45.52	46.2	46.88	47.56	48.24	48.92

motor bottom side

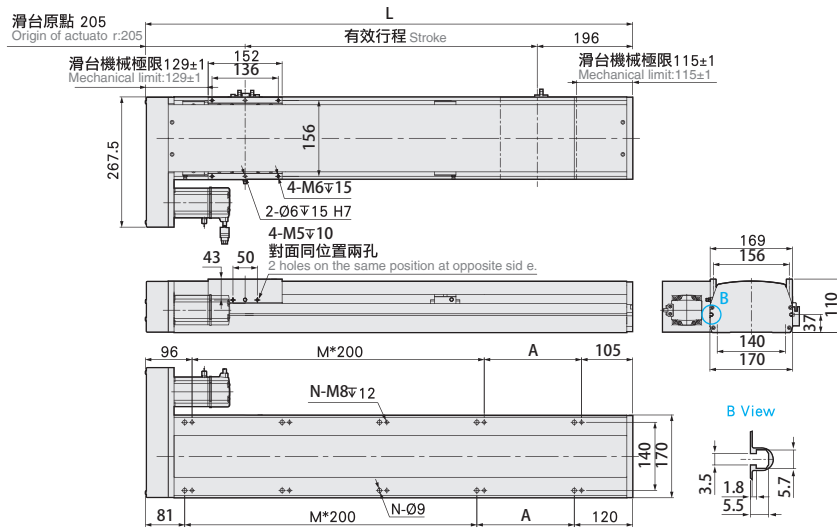
Unit:mm



有效行程 Stroke	800	850	900	950	1000	1050	1100	1150	1200	1250	1300	1350	1400	1450	1500	1550	1600	1650	1700	1750	1800	1850	1900	1950	2000	2050	2100	2150	2200
L	1224	1274	1324	1374	1424	1474	1524	1574	1624	1674	1724	1774	1824	1874	1924	1974	2024	2074	2124	2174	2224	2274	2324	2374	2424	2474	2524	2574	2624
A	200	50	100	150	200	50	100	150	200	50	100	150	200	50	100	150	200	50	100	150	200	50	100	150	200	50	100	150	200
M	4	5	5	5	5	6	6	6	6	7	7	7	7	8	8	8	8	9	9	9	9	10	10	10	10	11	11	11	11
N	12	14	14	14	14	16	16	16	16	18	18	18	18	20	20	20	20	22	22	22	22	24	24	24	24	26	26	26	26
KG	28.99	29.67	30.35	31.03	31.71	32.39	33.07	33.75	34.43	35.11	35.79	36.47	37.15	37.83	38.51	39.19	39.87	40.55	41.23	41.91	42.59	43.27	43.95	44.63	45.31	45.99	46.67	47.35	48.03

motor left side

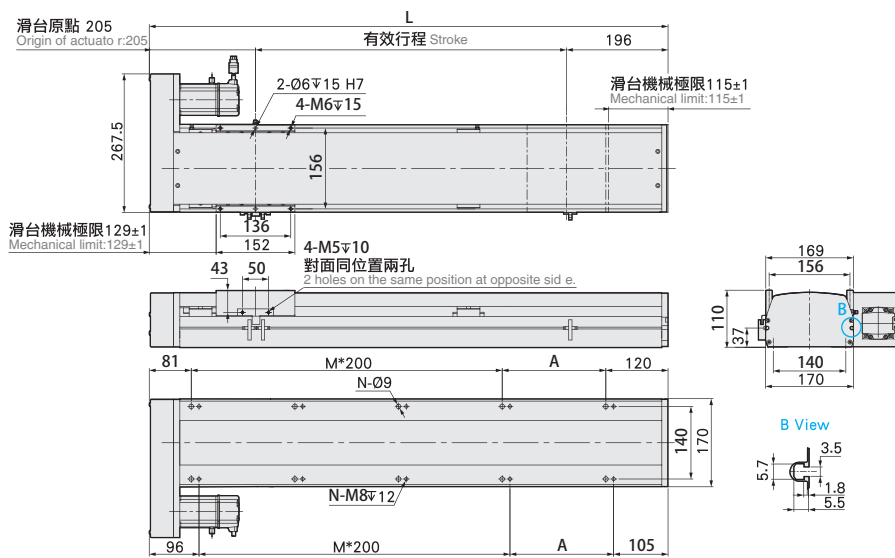
Unit:mm



有效行程 Stroke	800	850	900	950	1000	1050	1100	1150	1200	1250	1300	1350	1400	1450	1500	1550	1600	1650	1700	1750	1800	1850	1900	1950	2000	2050	2100	2150	2200
L	1201	1251	1301	1351	1401	1451	1501	1551	1601	1651	1701	1751	1801	1851	1901	1951	2001	2051	2101	2151	2201	2251	2301	2351	2401	2451	2501	2551	2601
A	200	50	100	150	200	50	100	150	200	50	100	150	200	50	100	150	200	50	100	150	200	50	100	150	200	50	100	150	200
M	4	5	5	5	5	6	6	6	6	7	7	7	7	8	8	8	8	9	9	9	9	10	10	10	10	11	11	11	11
N	12	14	14	14	14	16	16	16	16	18	18	18	18	20	20	20	20	22	22	22	22	24	24	24	24	26	26	26	26
KG	29.86	30.54	31.22	31.9	32.58	33.26	33.94	34.62	35.3	35.98	36.66	37.34	38.02	38.7	39.38	40.06	40.74	41.42	42.1	42.78	43.46	44.14	44.82	45.5	46.18	46.86	47.54	48.22	48.9

motor right side

Unit:mm

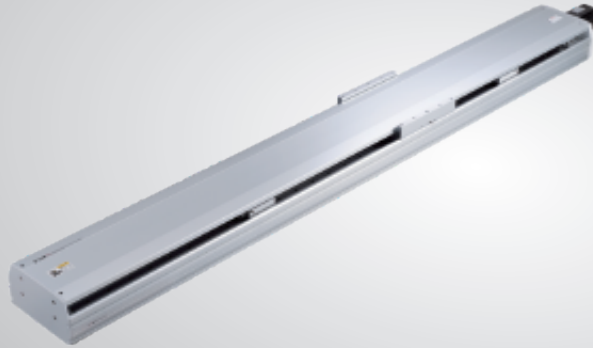


有效行程 Stroke	800	850	900	950	1000	1050	1100	1150	1200	1250	1300	1350	1400	1450	1500	1550	1600	1650	1700	1750	1800	1850	1900	1950	2000	2050	2100	2150	2200
L	1201	1251	1301	1351	1401	1451	1501	1551	1601	1651	1701	1751	1801	1851	1901	1951	2001	2051	2101	2151	2201	2251	2301	2351	2401	2451	2501	2551	2601
A	200	50	100	150	200	50	100	150	200	50	100	150	200	50	100	150	200	50	100	150	200	50	100	150	200	50	100	150	200
M	4	5	5	5	5	6	6	6	6	7	7	7	7	8	8	8	8	9	9	9	9	10	10	10	10	11	11	11	11
N	12	14	14	14	14	16	16	16	16	18	18	18	18	20	20	20	20	22	22	22	22	24	24	24	24	26	26	26	26
KG	29.86	30.54	31.22	31.9	32.58	33.26	33.94	34.62	35.3	35.98	36.66	37.34	38.02	38.7	39.38	40.06	40.74	41.42	42.1	42.78	43.46	44.14	44.82	45.5	46.18	46.86	47.54	48.22	48.9

LETH22M_{1-axis}

▶ Long stroke

▶ Screw drive



Maximum Stroke 2400mm

Maximum Speed 1600mm/s

Motor output 750W

Ball Screw Φ20mm

Straight rail 20×15-2支

Model naming method

LETH22M - L10 - 850 - M - M75B - C4 - 0001

MODEL

Characteristic pattern

Ball Screw Lead

5	5mm
10	10mm
20	20mm
32	32mm

Stroke

850-2400mm

Motor Position

M	Motor Brand
BC	Motor Exposed
BM	Motor Bottom Side
BL	Motor Left Side
BR	Motor Right Side

Motor Brand /Power Output

M	Mitsubishi	10	-	B
P	Panasonic	20	-	
Y	yaskawa	40	-	
T	Delta	75	750W	

Home Sensor

	Out Side
C	Motor Side
D	Opposite Motor Side
	No Sensor
E	No Sensor

Limit Sensor

	Out Side
3	1Pc
4	2Pc
	No Sensor
5	No Sensor

Product parameter

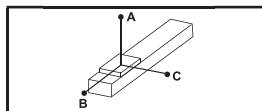
Position repetition accuracy (mm)		±0.01			
Ball Screw Lead (mm)		5	10	20	40
Max. speed(mm/s)		200	400	800	1600
Max. load(KG)	Max. horizontal load(KG)	130	130	85	43
	Max. vertical load(KG)	50	40	25	12
Rated thrust (N)		2563	1281	640	320
Standard stroke (mm)		850-2400mm/50mm Pitch			
AC servo motor capacity(W)		750			
Ball Screw (mm)		C7Φ20			
High Rigidity Linear Guide (mm)		W20×H15			
Coupling (mm)		12×19			
Origin inductor	Outside	EE-SX672(NPN)			

※1 Acceleration and deceleration value is set 0.2 second.

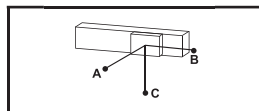
※2 When the stroke is over 2050mm, the run-out of the ballscrew will occur. We recommend to low down the working speed under this circumstances.

※3 Maximum motor speed: 2400rpm.

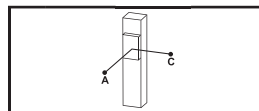
Allowable Overhang



(Unit : mm)



(Unit : mm)

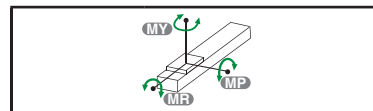


(Unit : mm)

Horizontal Installation	A	B	C
5 Lead	80kg	3311	411 403
	100kg	2534	320 308
	130kg	2113	228 221
10 Lead	70kg	2700	430 394
	90kg	2022	320 294
	130kg	1311	198 184
20 Lead	40kg	2044	662 558
	60kg	1316	417 352
	85kg	886	272 231
40 Lead	20kg	1180	766 533
	25kg	927	599 418
	43kg	510	318 224

Wall Installation	A	B	C
5 Lead	85kg	370	388 3066
	105kg	288	299 2389
	130kg	221	228 2113
10 Lead	75kg	368	398 2515
	95kg	277	300 1926
	130kg	184	198 1328
20 Lead	45kg	490	582 1805
	65kg	321	381 1204
	85kg	231	272 886
40 Lead	25kg	418	601 930
	35kg	286	408 644
	43kg	224	318 510

Static Loading Moment



(Unit : N.m)

MY	1254
MP	1254
MR	1254

* The torque value in the chart indicate the center of gravity.

* Operation life is 10,000km when the product is using under the specified conditions.

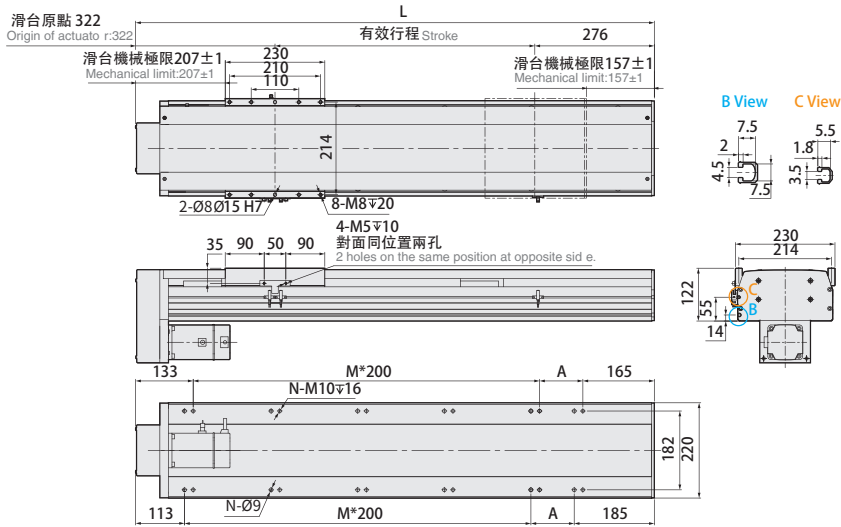
* Data information is not for ceiling-mount inverse use. Contact us for the details if you want to apply ceiling-mount inverse usage.

Suitable Motor Brand

Brand	Mark	Brake	Watt	AC-Voltage	Motor Model	Driver Model
Mitsubishi	M	No Brake (Horizontal Type)	750	220	HG-KR73	MR-J4-70A
		With Brake (Vertical Type)	750	220	HG-KR73B	MR-J4-70A
Panasonic	P	No Brake (Horizontal Type)	750	220	MHMD082G1U	MCDHT3520
		With Brake (Vertical Type)	750	220	MHMD082G1V	MCDHT3520
Delta	T	No Brake (Horizontal Type)	750	220	ECMA-C20807ES	ASD-B20721-B
		With Brake (Vertical Type)	750	220	ECMA-C20807FS	ASD-B20721-B

motor bottom side

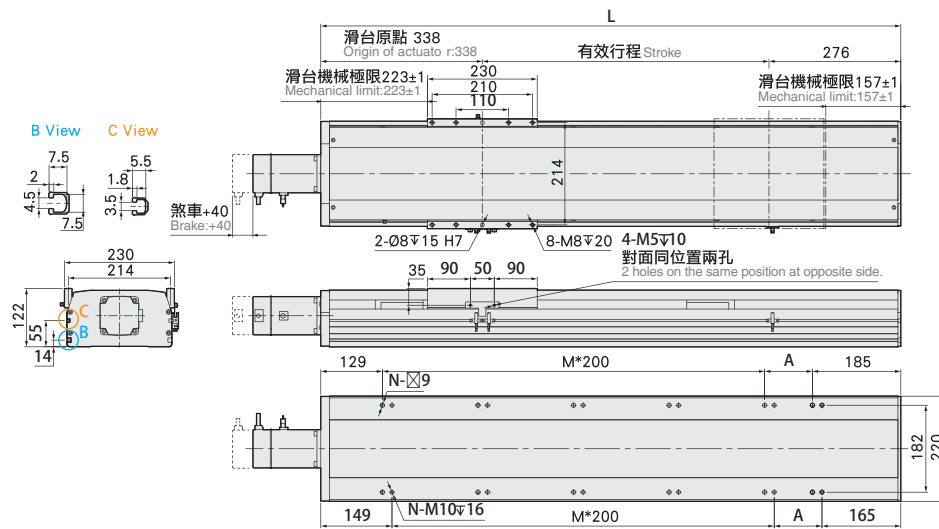
Unit:mm



有效行程 Stroke	850	900	950	1000	1050	1100	1150	1200	1250	1300	1350	1400	1450	1500	1550	1600	1650	1700	1750	1800	1850	1900	1950	2000	2050	2100	2150	2200	2250	2300	2350	2400	
L	1659	1709	1759	1809	1859	1909	1959	2009	2059	2109	2159	2209	2259	2309	2359	2409	2459	2509	2559	2609	2659	2709	2759	2809	2859	2909	2959	3009	3059	3109	3159	3209	
A	150	200	50	100	150	200	50	100	150	200	50	100	150	200	50	100	150	200	50	100	150	200	50	100	150	200	50	100	150	200	50	100	
M	5	5	6	6	6	6	7	7	7	7	8	8	8	8	9	9	9	9	10	10	10	10	10	11	11	11	11	12	12	12	12	13	13
N	14	14	16	16	16	16	18	18	18	18	20	20	20	20	22	22	22	22	24	24	24	24	24	26	26	26	26	28	28	28	28	30	30
KG	56.61	57.97	59.33	60.69	62.05	63.41	64.77	66.13	67.49	68.85	70.21	71.57	72.93	74.29	75.65	77.01	78.37	79.73	81.09	82.45	83.81	85.17	86.53	87.89	89.25	90.61	91.97	93.33	94.69	96.05	97.41	98.77	

motor exposed

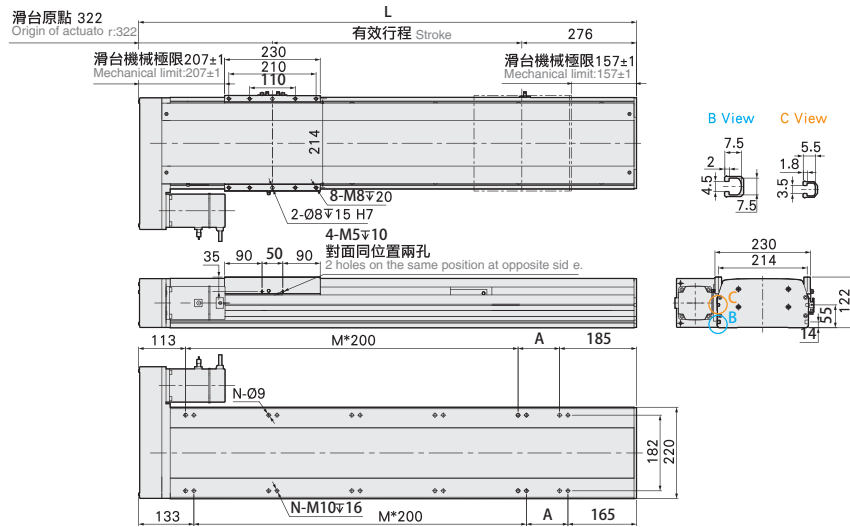
Unit:mm



有效行程 Stroke	850	900	950	1000	1050	1100	1150	1200	1250	1300	1350	1400	1450	1500	1550	1600	1650	1700	1750	1800	1850	1900	1950	2000	2050	2100	2150	2200	2250	2300	2350	2400	
L	1464	1514	1564	1614	1664	1714	1764	1814	1864	1914	1964	2014	2064	2114	2164	2214	2264	2314	2364	2414	2464	2514	2564	2614	2664	2714	2764	2814	2864	2914	2964	3014	
A	150	200	50	100	150	200	50	100	150	200	50	100	150	200	50	100	150	200	50	100	150	200	50	100	150	200	50	100	150	200	50	100	
M	5	5	6	6	6	6	7	7	7	7	8	8	8	8	9	9	9	9	10	10	10	10	10	11	11	11	11	12	12	12	12	13	13
N	14	14	16	16	16	16	18	18	18	18	20	20	20	20	22	22	22	22	24	24	24	24	24	26	26	26	26	28	28	28	28	30	30
KG	53.91	55.27	56.63	57.99	59.35	60.71	62.07	63.43	64.79	66.15	67.51	68.87	70.23	71.59	72.95	74.31	75.67	77.03	78.39	79.75	81.11	82.47	83.83	85.19	86.55	87.91	89.27	90.63	91.99	93.35	94.71	96.07	

motor left side

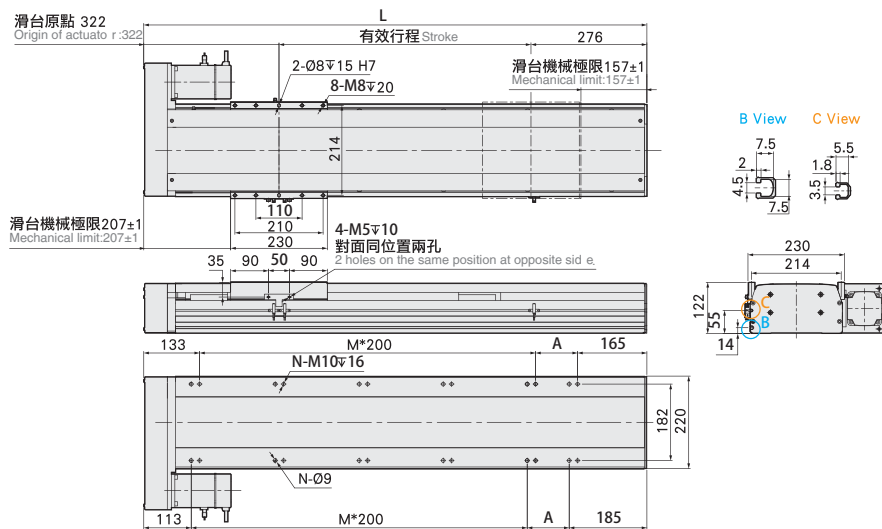
Unit:mm



有效行程 Stroke	850	900	950	1000	1050	1100	1150	1200	1250	1300	1350	1400	1450	1500	1550	1600	1650	1700	1750	1800	1850	1900	1950	2000	2050	2100	2150	2200	2250	2300	2350	2400
L	1448	1498	1548	1598	1648	1698	1748	1798	1848	1898	1948	1998	2048	2098	2148	2198	2248	2298	2348	2398	2448	2498	2548	2598	2648	2698	2748	2798	2848	2898	2948	2998
A	150	200	50	100	150	200	50	100	150	200	50	100	150	200	50	100	150	200	50	100	150	200	50	100	150	200	50	100	150	200	50	100
M	5	5	6	6	6	6	7	7	7	7	8	8	8	8	9	9	9	9	10	10	10	10	11	11	11	11	12	12	12	12	13	13
N	14	14	16	16	16	16	18	18	18	18	20	20	20	20	22	22	22	22	24	24	24	24	26	26	26	26	28	28	28	28	30	30
KG	55.11	56.47	57.83	59.19	60.55	61.91	63.27	64.63	65.99	67.35	68.71	70.07	71.43	72.79	74.15	75.51	76.87	78.23	79.59	80.95	82.31	83.67	85.03	86.39	87.75	89.11	90.47	91.83	93.19	94.55	95.91	97.27

motor right side

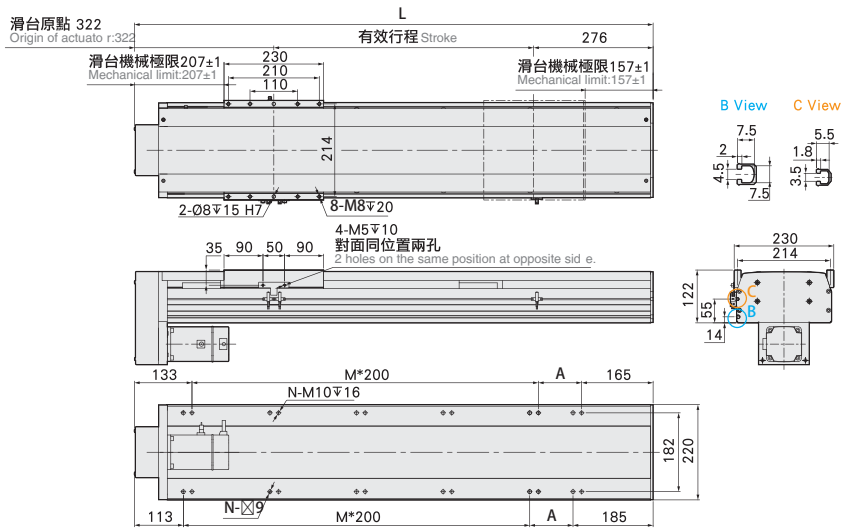
Unit:mm



有效行程 Stroke	850	900	950	1000	1050	1100	1150	1200	1250	1300	1350	1400	1450	1500	1550	1600	1650	1700	1750	1800	1850	1900	1950	2000	2050	2100	2150	2200	2250	2300	2350	2400
L	1448	1498	1548	1598	1648	1698	1748	1798	1848	1898	1948	1998	2048	2098	2148	2198	2248	2298	2348	2398	2448	2498	2548	2598	2648	2698	2748	2798	2848	2898	2948	2998
A	150	200	50	100	150	200	50	100	150	200	50	100	150	200	50	100	150	200	50	100	150	200	50	100	150	200	50	100	150	200	50	100
M	5	5	6	6	6	6	7	7	7	7	8	8	8	8	9	9	9	9	10	10	10	10	11	11	11	11	12	12	12	12	13	13
N	14	14	16	16	16	16	18	18	18	18	20	20	20	20	22	22	22	22	24	24	24	24	26	26	26	26	28	28	28	28	30	30
KG	55.11	56.47	57.83	59.19	60.55	61.91	63.27	64.63	65.99	67.35	68.71	70.07	71.43	72.79	74.15	75.51	76.87	78.23	79.59	80.95	82.31	83.67	85.03	86.39	87.75	89.11	90.47	91.83	93.19	94.55	95.91	97.27

motor bottom side

Unit:mm



有效行程 Stroke	850	900	950	1000	1050	1100	1150	1200	1250	1300	1350	1400	1450	1500	1550	1600	1650	1700	1750	1800	1850	1900	1950	2000	2050	2100	2150	2200	2250	2300	2350	2400
L	1448	1498	1548	1598	1648	1698	1748	1798	1848	1898	1948	1998	2048	2098	2148	2198	2248	2298	2348	2398	2448	2498	2548	2598	2648	2698	2748	2798	2848	2898	2948	2998
A	150	200	50	100	150	200	50	100	150	200	50	100	150	200	50	100	150	200	50	100	150	200	50	100	150	200	50	100	150	200	50	100
M	5	5	6	6	6	6	7	7	7	7	8	8	8	8	9	9	9	9	10	10	10	10	11	11	11	11	12	12	12	12	13	13
N	14	14	16	16	16	16	18	18	18	18	20	20	20	20	22	22	22	22	24	24	24	24	26	26	26	26	28	28	28	28	30	30
KG	55.11	56.47	57.83	59.19	60.55	61.91	63.27	64.63	65.99	67.35	68.71	70.07	71.43	72.79	74.15	75.51	76.87	78.23	79.59	80.95	82.31	83.67	85.03	86.39	87.75	89.11	90.47	91.83	93.19	94.55	95.91	97.27

LGTH series

LGCH series

LETH series

LECH series

KK series