

# LE series



LE standard electric cylinder

---

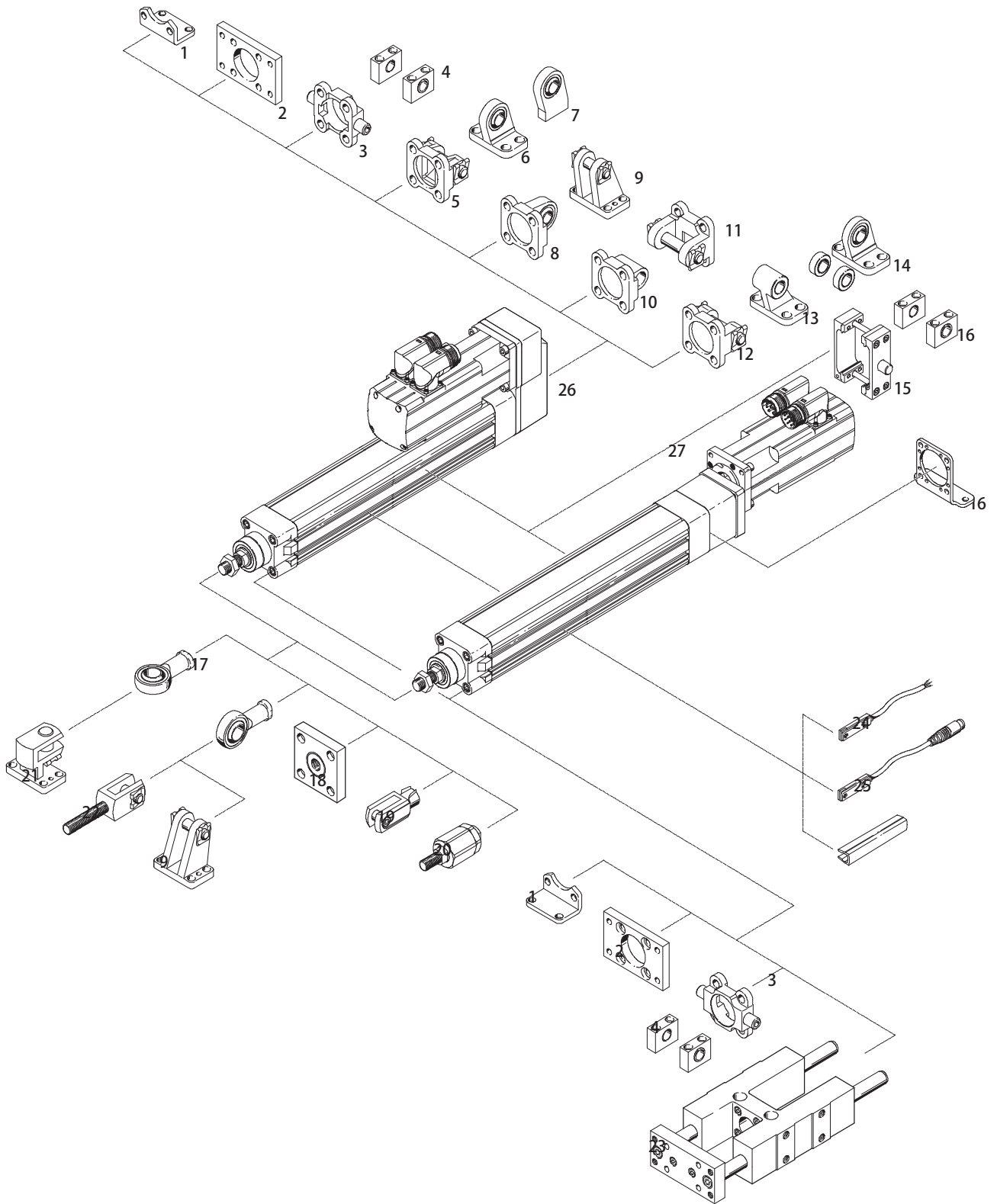


type	lead (mm)	stroke (mm) & Max.speed (mm/s)																
		≤ 250	300	350	400	450	500	550	600	700	800	900	1000	1100	1200	1300	1400	1500
LE40	5	250	227	179	144	119	99	85	73	55	44							
	10	500	455	358	289	238	199	170	146	111	88							
	20	1000	910	716	578	476	399	340	292	223	176							
LE50	5	250		235	191	158	133	113	97	75	59	48	39					
	10	500		471	382	316	266	226	195	150	118	96	79					
	20	1000		943	764	632	532	453	391	300	237	192	159					
LE63	5	250			232	193	163	140	121	93	74	60	50	42	36			
	10	500			465	387	327	280	242	187	148	120	100	84	72			
	25	1250			1164	969	818	700	607	467	371	302	250	211	180			
LE80	5	166							147	114	90	74	61	57	44			
	10	333							295	228	181	148	122	103	88			
	20	666							591	456	363	296	245	207	177			
LE100	5	166								132	105	85	71	60	51	44	38	34
	10	333								264	210	171	142	120	102	89	77	68
	20	666								528	421	343	285	240	205	178	155	137

type	lead (mm)	screw speed (rpm)&allowable load (Kg)																
		3000	2500	2000	1500	1200	1000	900	800	700	600	500	400	300	200	100	50	30
LE40	5	48	51	55	61	66	70	72	75	79	83	88	95	104	119	150	189	225
	10	36	39	42	46	50	53	55	57	59	62	66	71	78	90	113	143	169
	20	24	26	28	31	33	35	36	37	39	41	44	47	52	59	75	94	112
LE50	5	65	69	74	81	88	93	96	100	105	110	117	126	139	159	201	253	300
	10	66	70	75	83	90	95	99	102	107	113	120	119	142	163	205	258	306
	20	49	52	56	61	66	70	73	76	79	83	88	95	105	120	151	190	226
LE63	5	72	76	82	90	97	104	107	112	117	123	130	140	155	177	223	281	333
	10	71	76	81	90	97	103	106	111	116	122	129	139	163	176	221	279	330
	25	54	57	61	68	73	77	80	83	87	92	97	105	115	132	167	210	249
LE80	5			92	101	109	115	119	124	130	137	145	157	172	197	249	313	371
	10			122	135	145	154	160	166	174	183	194	209	231	264	332	419	497
	20			95	105	113	120	124	129	135	142	151	162	179	205	258	335	385
LE100	5			100	111	119	127	131	136	143	150	160	172	189	216	273	344	407
	10			251	276	297	316	327	340	356	375	398	429	472	540	681	857	1017
	20			197	217	234	248	257	268	280	294	313	337	371	425	535	674	799

The service life is based on a cumulative operation time of 2,000 hours.

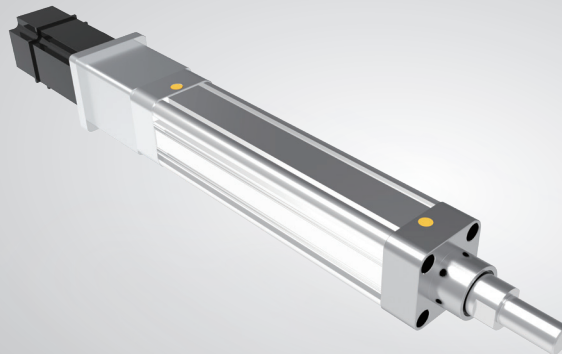


# LE40 Standard electric cylinder

Width **54mm**

Max.stroke **800mm**

Max.thrust **400N**



LGSeries LG

LHSeries LH

LCSeries LC

LESeries LE

## LE40 - L10 - 100 - D - M - 20 - C4

### MODEL

Ball Screw Lead

05	5mm
10	10mm
20	20mm

Stroke

50-800mm
50mm pitch

Motor Position

D	Direct mounting
P	Indirect installation
-	Bare cylinder vacancy

Motor brand

M	Mitsubishi
P	Panasonic
Y	yaskawa
T	delta
-	Bare cylinder vacancy

Motor power

10	-
20	200W
40	400W
75	-

Number of switches

C4	Switch*3
E5	without

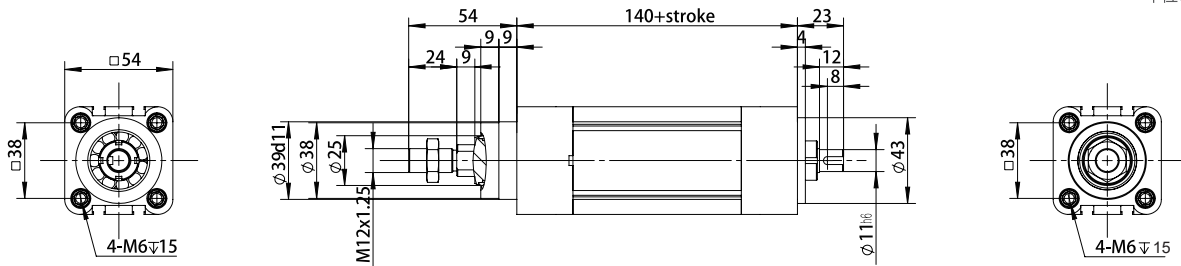
### Product parameter

Standard motor output(w)	200W/400W		
Static loading Moment(Nm)	0.64/1.27		
Maximum allowable input torque(Nm)	9		
Repeatability(mm)	±0.02		
Piston rod rotation Angle	±0.5		
Screw lead(mm)	5	10	20
Rated output(N)	720/1440	360/720	180/360
Maximum static pushing pressure(N)	3040	2890	2400
Maximum speed(mm/s)	250	500	1000
Range of travel	0-800		
Cylinder body Omm stroke mass(kg)	1.6		
Stroke added mass /100mm(kg)	0.61		
Directly install the relevant component quality(kg)	0.3		
Indirect mounting related component mass (kg)	0.6		

### LE40- Bare cylinder

Unit:mm

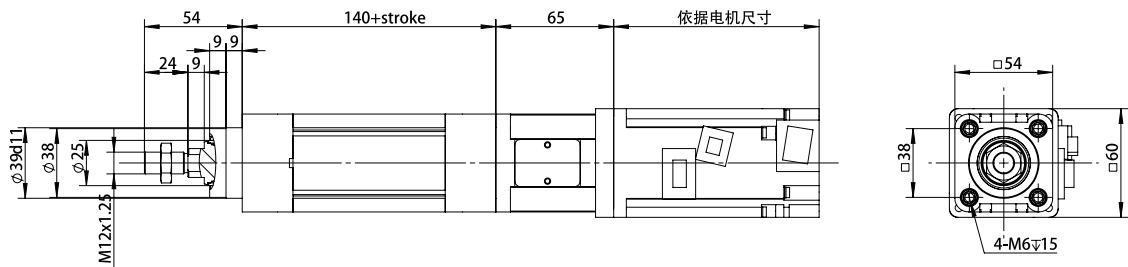
单位: mm



### LE40- D-M200W

Unit:mm

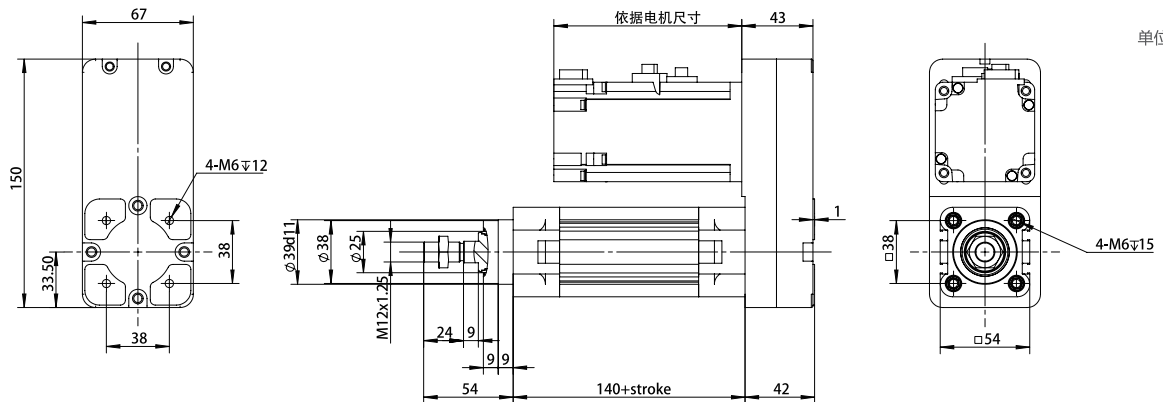
单位: mm



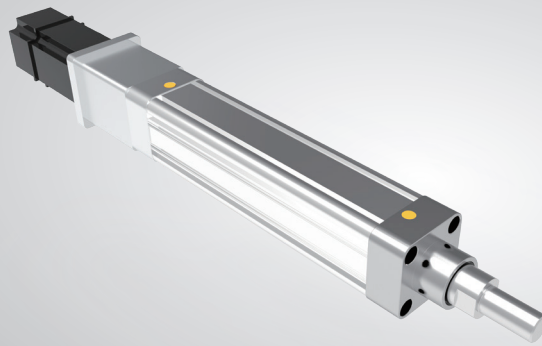
### LE40- P-M200W

Unit:mm

单位: mm



# LE50 Standard electric cylinder

 Width  
**64mm**
 Max. stroke  
**1000mm**
 Max. thrust  
**2700N**


## LE50 - L10 - 100 - D - M - 40 - C4

### MODEL

Ball Screw Lead		Stroke		Motor Position		Motor brand		Motor power		Number of switches	
05	5mm	50-1000mm	50mm pitch	D	Direct mounting	M	Mitsubishi	10	-	C4	Switch*3
10	10mm			P	Indirect installation	P	Panasonic	20	-	E5	without
20	20mm			-	Bare cylinder vacancy	Y	yaskawa	40	400W		
						T	delta	75	750W		
						-	Bare cylinder vacancy				

### Product parameter

Standard motor output(w)	400W/750W		
Static loading Moment(Nm)	1.27/2.39		
Maximum allowable input torque(Nm)	18		
Repeatability(mm)	±0.02		
Piston rod rotation Angle	±0.5		
Screw lead(mm)	5	10	20
Rated output(N)	1440/2700	720/1350	360/675
Maximum static pushing pressure(N)	4060	5230	4860
Maximum speed(mm/s)	250	500	1000
Range of travel	0-1000		
Cylinder body Omm stroke mass(kg)	2.6		
Stroke added mass /100mm(kg)	0.87		
Directly install the relevant component quality(kg)	0.4/0.5		
Indirect mounting related component mass (kg)	0.7/1.1		

 LSeries  
LG

 LSeries  
LH

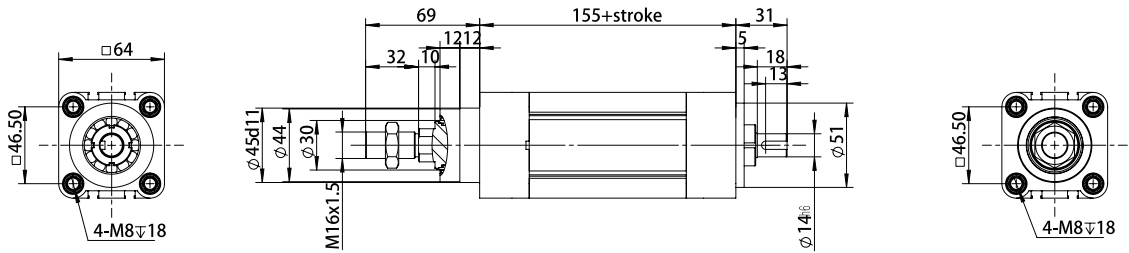
 LSeries  
LC

 LSeries  
LE

### LE50- Bare cylinder

Unit:mm

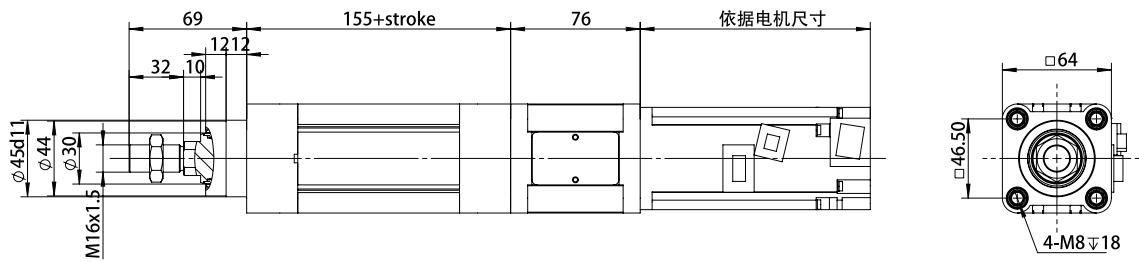
单位:mm



### LE50- D-M400W

Unit:mm

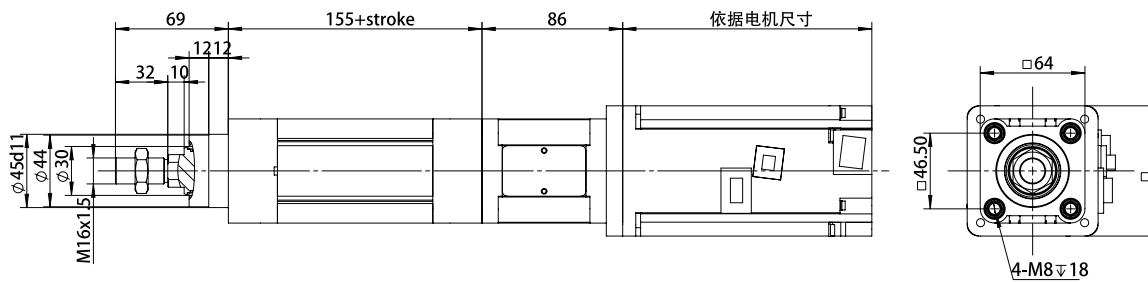
单位:mm



### LE50- D-M750W

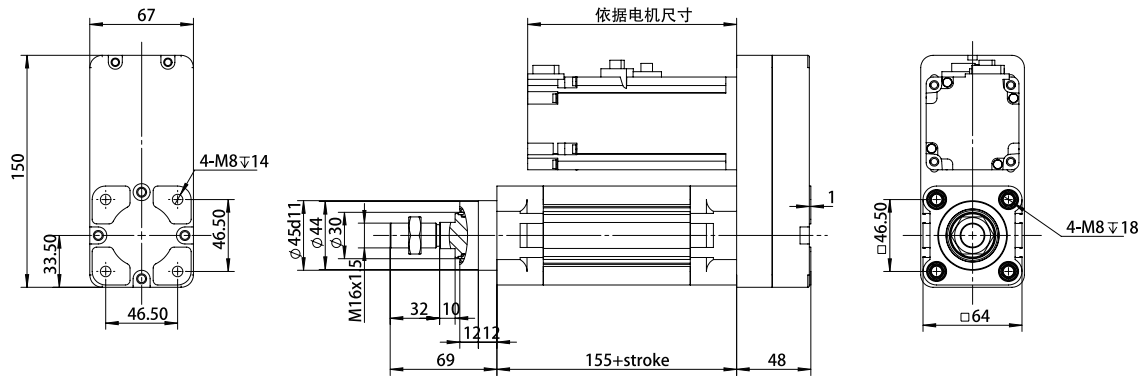
Unit:mm

单位:mm



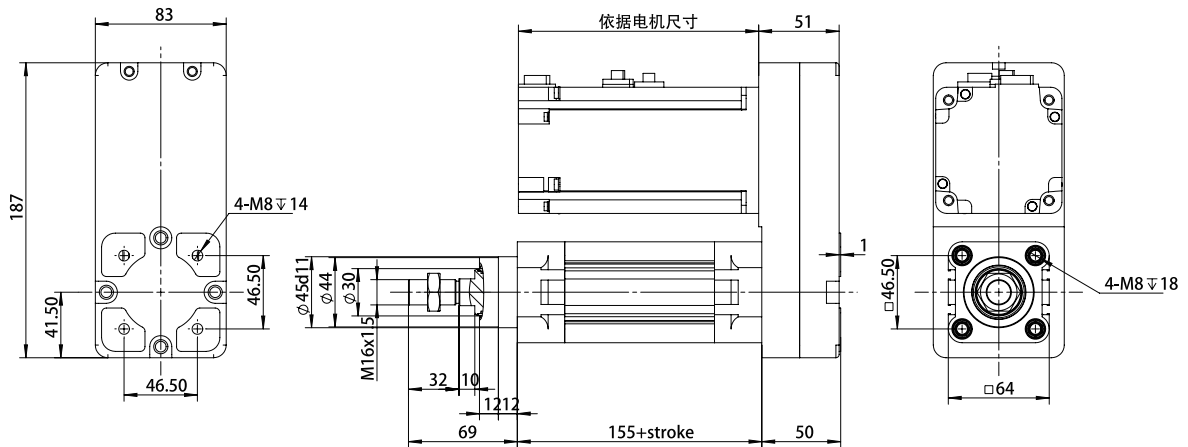
### LE50-P-M400W

Unit:mm



### LE50-P-M400W

Unit:mm



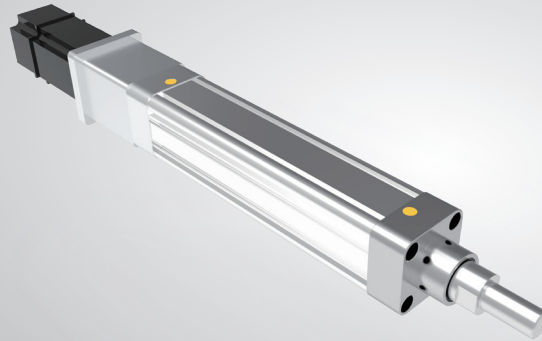


# LE63 Standard electric cylinder

Width **75mm**

Max.stroke **120mm**

Max.thrust **2700N**



## LE63 - L10 - 100 - D - M - 75 - C4

### MODEL

#### Ball Screw Lead

05	5mm
10	10mm
25	25mm

#### Stroke

50-1200mm
50mm pitch

#### Motor Position

D	Direct mounting
P	Indirect installation
-	Bare cylinder vacancy

#### Motor brand

M	Mitsubishi
P	Panasonic
Y	yaskawa
T	delta
-	Bare cylinder vacancy

#### Motor power

10	-
20	-
40	-
75	750W

#### Number of switches

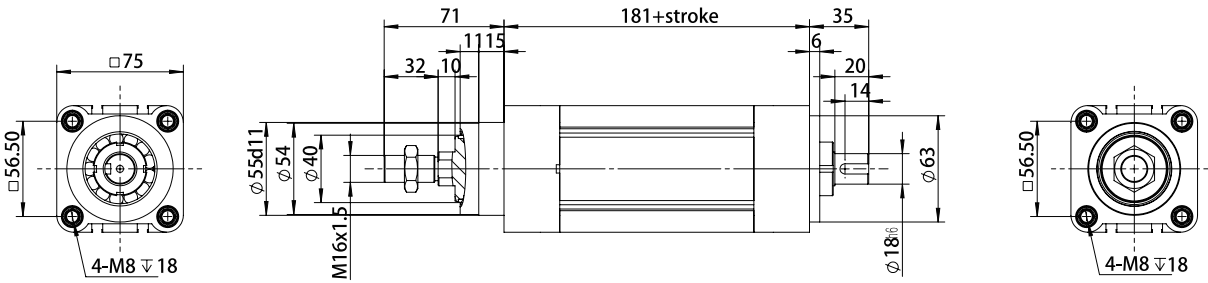
C4	Switch*3
E5	without

### Product parameter

Standard motor output(w)	750W		
Static loading Moment(Nm)	2.39		
Maximum allowable input torque(Nm)	26		
Repeatability(mm)	±0.02		
Piston rod rotation Angle	±0.5		
Screw lead(mm)	5	10	25
Rated output(N)	2700	1350	540
Maximum static pushing pressure(N)	4520	5650	5770
Maximum speed(mm/s)	250	500	1250
Range of travel	0-1200		
Cylinder body Omm stroke mass(kg)	4.5		
Stroke added mass /100mm(kg)	1.31		
Directly install the relevant component quality(kg)	0.8		
Indirect mounting related component mass (kg)	1.2		

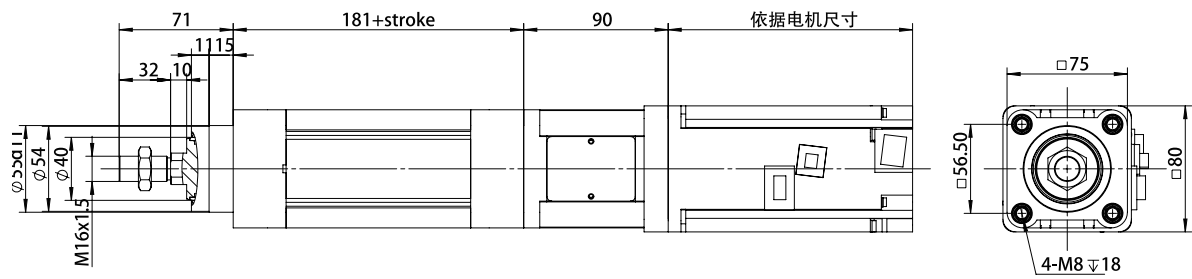
### LE63- Bare cylinder

Unit:mm



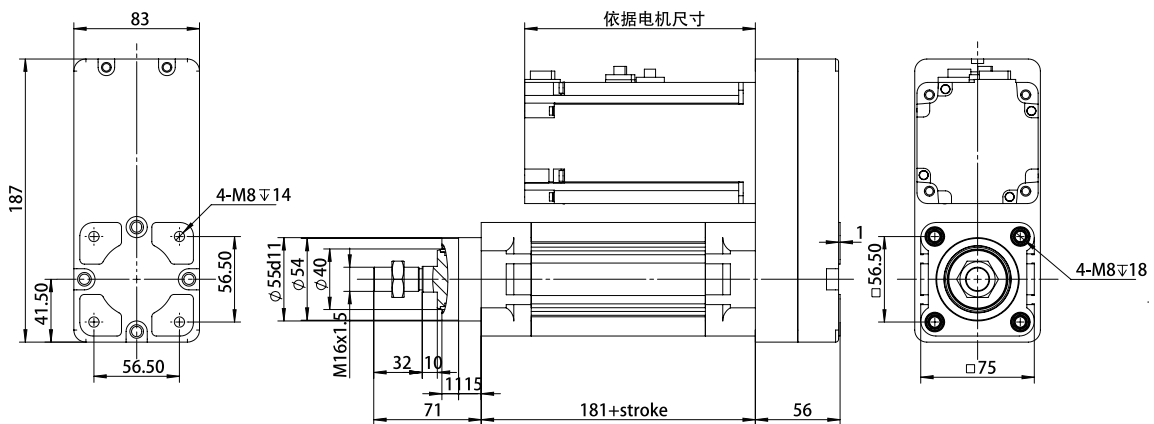
### LE63-D-M750W

Unit:mm



### LE63- P-M750W

Unit:mm



LG Series

LH Series

LC Series

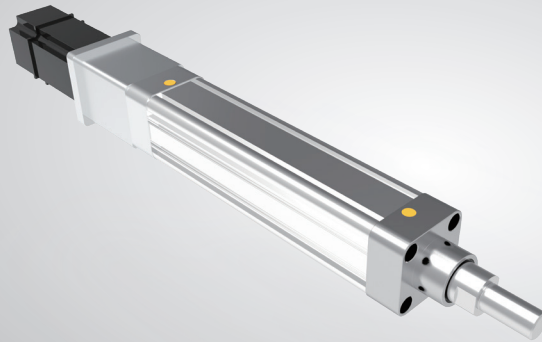
LE Series

# LE80 Standard electric cylinder

Width **95mm**

Max.stroke **1200mm**

Max.thrust **5400N**



## LE80 - L10 - 100 - D - M - 1K - C4

### MODEL

#### Ball Screw Lead

05	5mm
10	10mm
20	20mm

#### Stroke

50-1200mm
50mm pitch

#### Motor Position

D	Direct mounting
P	Indirect installation
-	Bare cylinder vacancy

#### Motor brand

M	Mitsubishi
P	Panasonic
Y	yaskawa
T	delta
-	Bare cylinder vacancy

#### Motor power

1k	1000W
1.5k	-

#### Number of switches

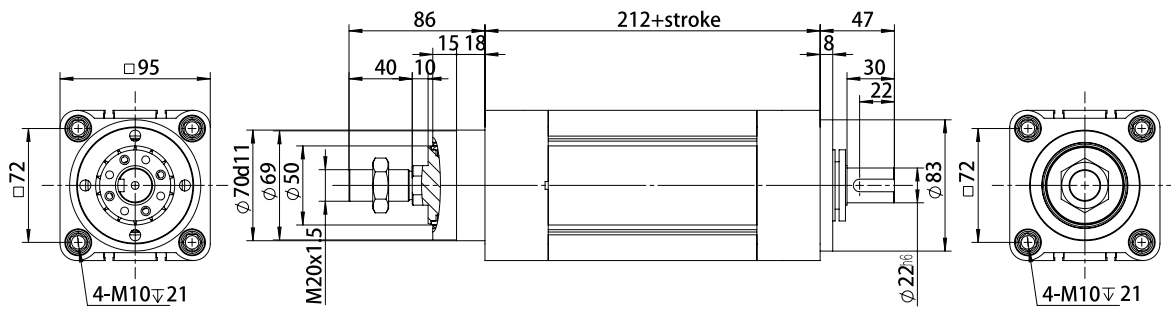
C4	Switch*3
E5	without

### Product parameter

Standard motor output(w)	1000W		
Static loading Moment(Nm)	4.77		
Maximum allowable input torque(Nm)	37		
Repeatability(mm)	±0.02		
Piston rod rotation Angle	±0.5		
Screw lead(mm)	5	10	20
Rated output(N)	5400	2700	1350
Maximum static pushing pressure(N)	5030	8490	8290
Maximum speed(mm/s)	166	333	666
Range of travel	0-1200		
Cylinder body Omm stroke mass(kg)	8		
Stroke added mass /100mm(kg)	2.31		
Directly install the relevant component quality(kg)	1.6		
Indirect mounting related component mass (kg)	3.5		

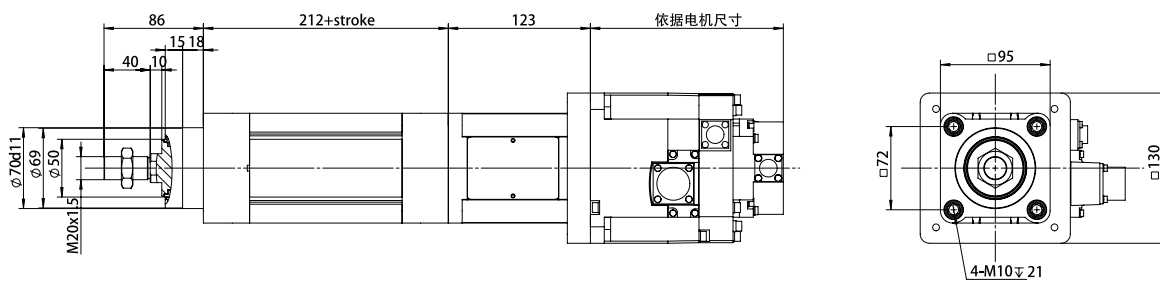
### LE80- Bare cylinder

Unit:mm



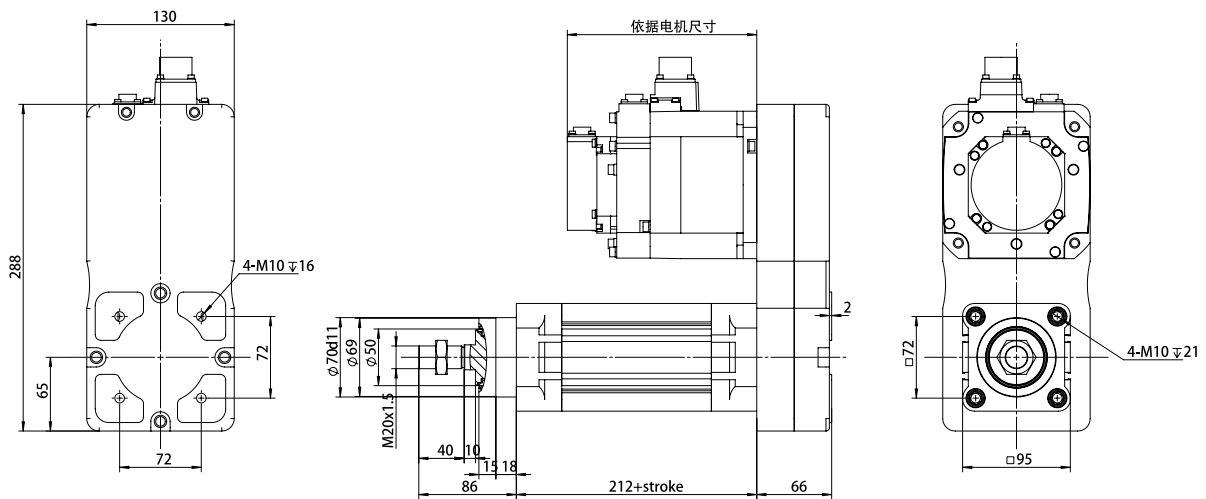
### LE80-D-M1000W

Unit:mm



### LE80-P-M1000W

Unit:mm



LG Series

LH Series

LC Series

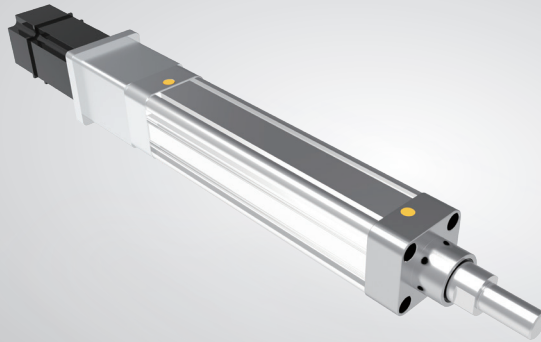
LE Series

# LE100 Standard electric cylinder

Width **110mm**

Max.stroke **1500mm**

Max.thrust **8100N**



## LE100 - L10 - 100 - D - M - 1K - C4

### MODEL

**Ball Screw Lead**

05	5mm
10	10mm
20	20mm

**Stroke**

50-1500mm
50mm pitch

**Motor Position**

D	Direct mounting
P	Indirect installation
-	Bare cylinder vacancy

**Motor brand**

M	Mitsubishi
P	Panasonic
Y	yaskawa
T	delta
-	Bare cylinder vacancy

**Motor power**

1k	-
1.5k	1500W

**Number of switches**

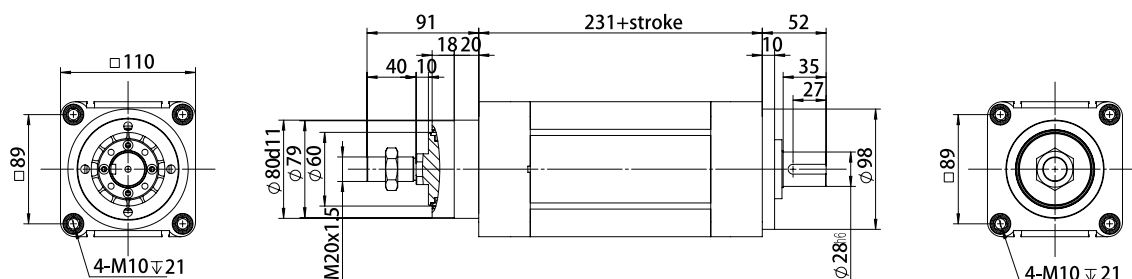
C4	Switch*3
E5	without

### Product parameter

Standard motor output(w)	1500W		
Static loading Moment(Nm)	7.16		
Maximum allowable input torque(Nm)	101		
Repeatability(mm)	±0.02		
Piston rod rotation Angle	±0.5		
Screw lead(mm)	5	10	20
Rated output(N)	8100	4050	2025
Maximum static pushing pressure(N)	5520	17380	17220
Maximum speed(mm/s)	166	333	666
Range of travel	0-1500		
Cylinder body Omm stroke mass(kg)	12		
Stroke added mass /100mm(kg)	2.9		
Directly install the relevant component quality(kg)	3		
Indirect mounting related component mass (kg)	4		

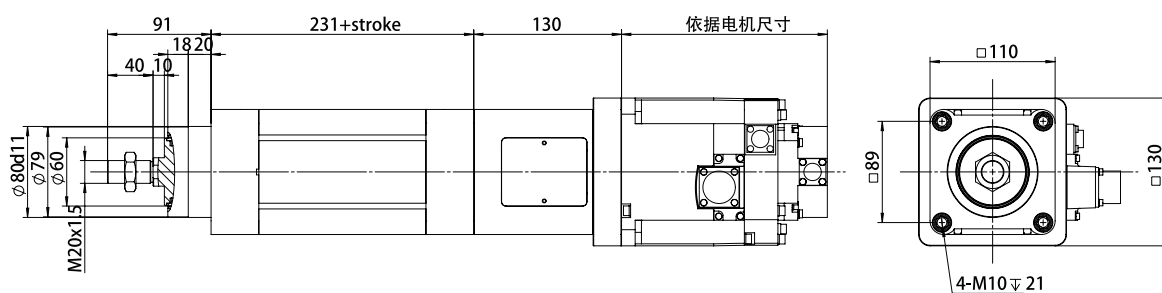
## LE100- Bare cylinder

Unit:mm



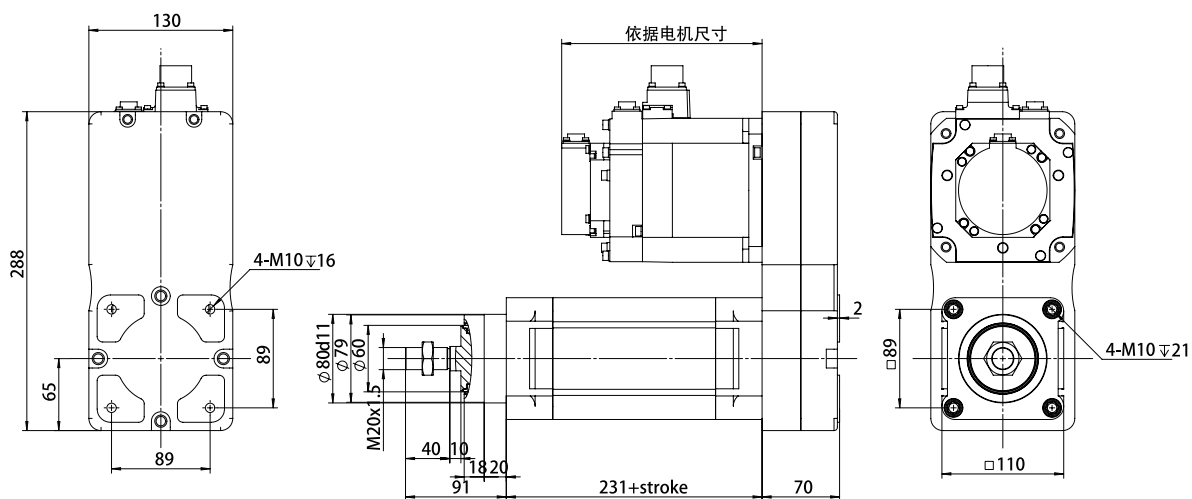
## LE100-D-M1500W

Unit:mm



## LE100-P-M1500W

Unit:mm



LG Series

LH Series

LC Series

LE Series

## Standard accessories - fisheye connectors

LG

LG Series

LH

LH Series

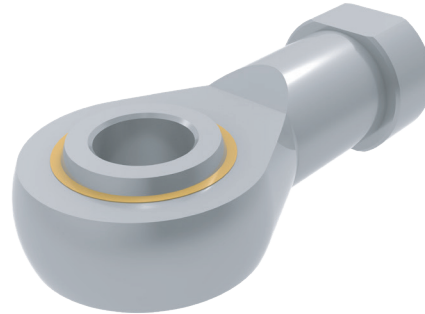
LC

LC Series

LE

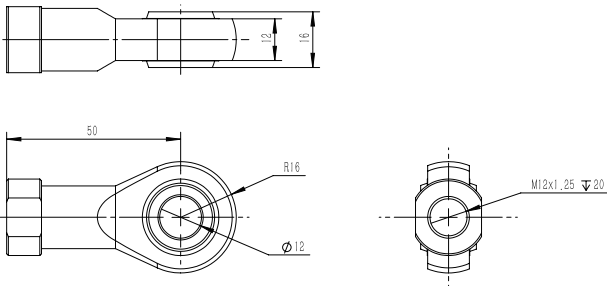
LE Series

compatible LE model	Ordering Number
LE40	F-M12X125U
LE50	F-M16X150U
LE63	
LE80	F-M20X150U
LE100	



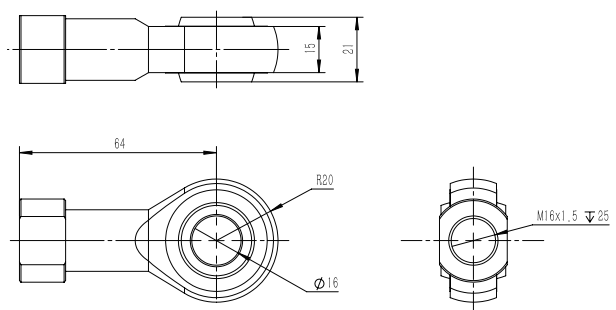
### F-M12X125U

Unit:mm



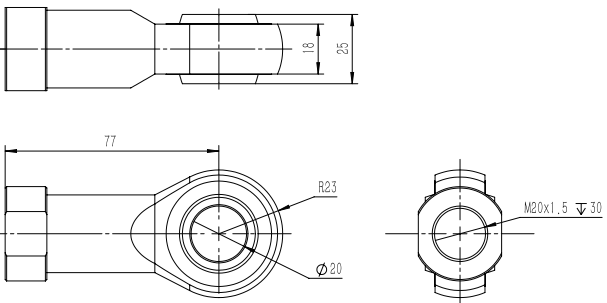
### F-M16X150U

Unit:mm



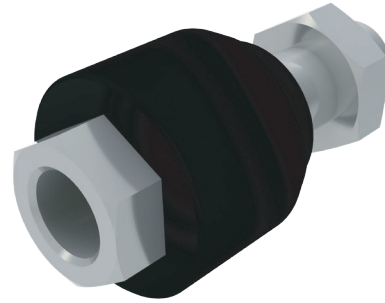
### F-M20x150U

Unit:mm



## Standard accessories - Floating joint

compatible LE model	Ordering Number
LE40	F-M12X125F
LE50	F-M16X150F
LE63	
LE80	F-M20X150F
LE100	



LG Series

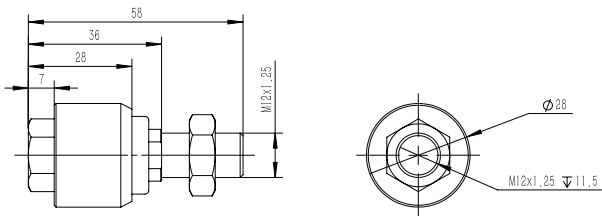
LH Series

LC Series

LE Series

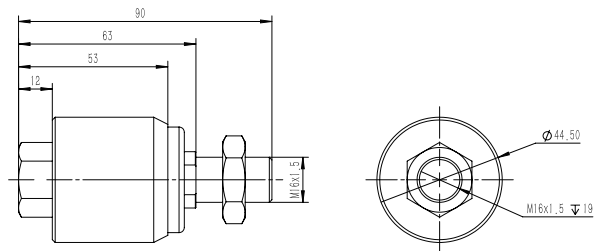
### F-M12X125F

Unit:mm



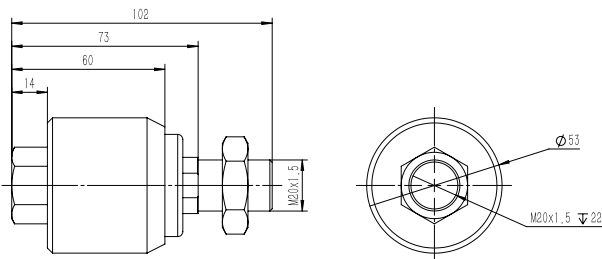
### F-M16X150F

Unit:mm



### F-M20X150F

Unit:mm





## Standard accessories - Type I joint

LG

LEseries

LH

LHseries

LC

LCseries

LE

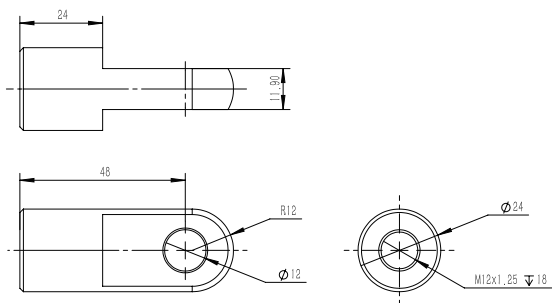
LEseries

compatible LE model	Ordering Number
LE40	F-M12X125I
LE50	F-M16X150I
LE63	
LE80	F-M20X150I
LE100	



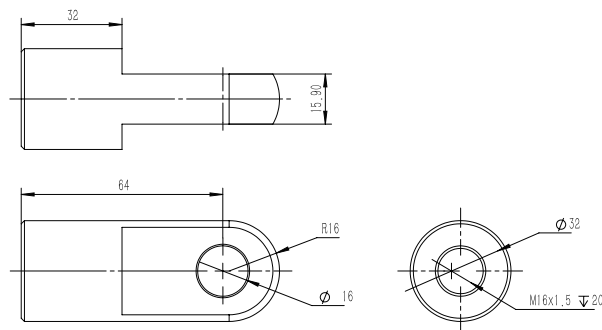
### F-M12X125I

Unit:mm



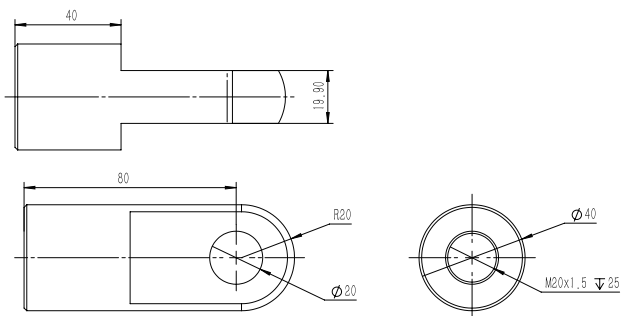
### F-M16X150I

Unit:mm



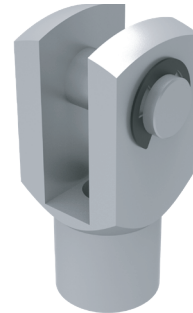
### F-M20X125I

Unit:mm



## Standard accessories - Type Y joint

compatible LE model	Ordering Number
LE40	F-M12X125Y
LE50	F-M16X150Y
LE63	
LE80	F-M20X150Y
LE100	



LG Series

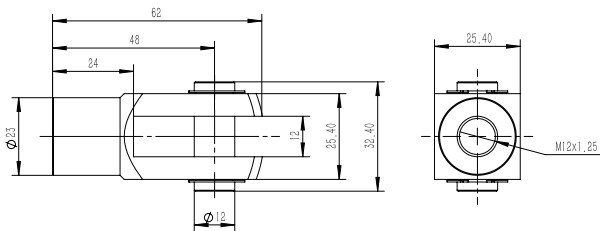
LH Series

LC Series

LE Series

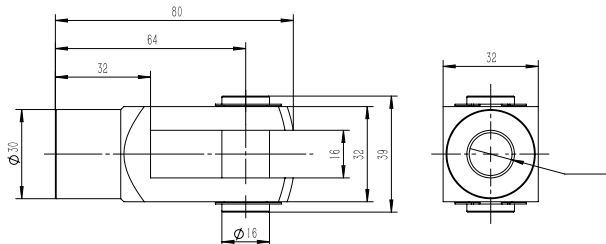
### F-M12X125Y

Unit:mm



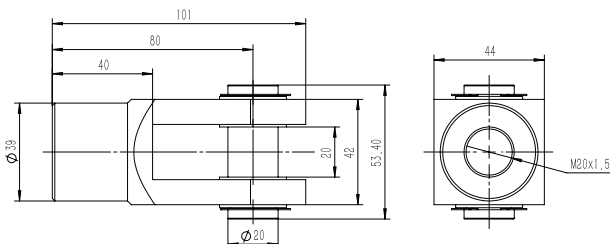
### F-M16X150Y

Unit:mm



### F-M20X125Y

Unit:mm



## Standard accessories - Single earring

LG

LEseries

LH

LEseries

LC

LEseries

LE

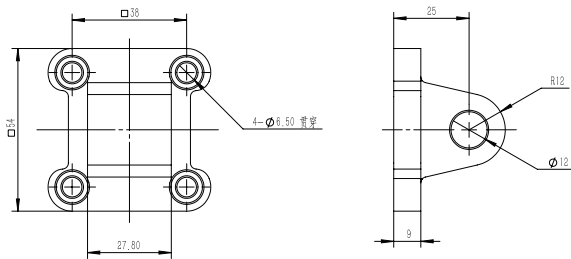
LEseries

compatible LE model	Ordering Number
LE40	F-LE40CA
LE50	F-LE50CA
LE63	F-LE63CA
LE80	F-LE80CA
LE100	F-LE100CA



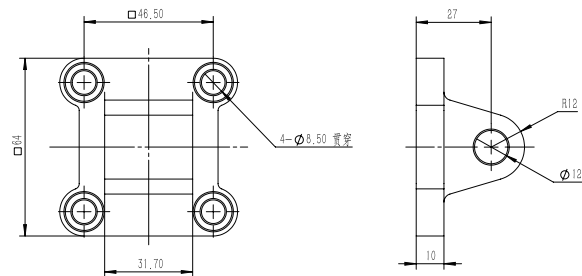
### F-LE40CA

Unit:mm



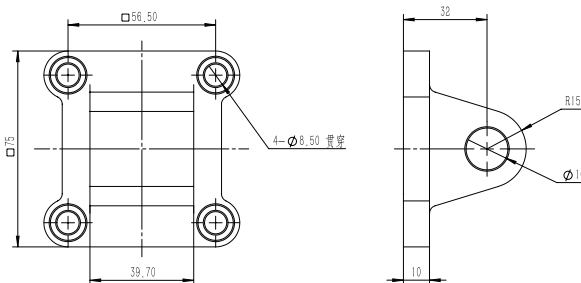
### F-LE50CA

Unit:mm



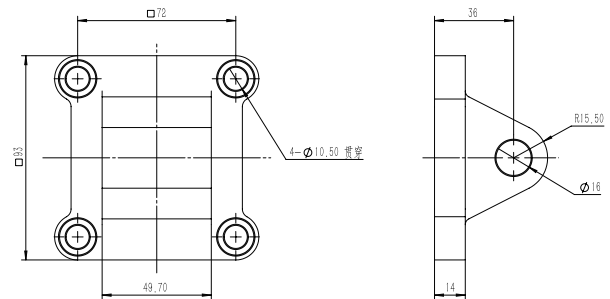
### F-LE63CA

Unit:mm

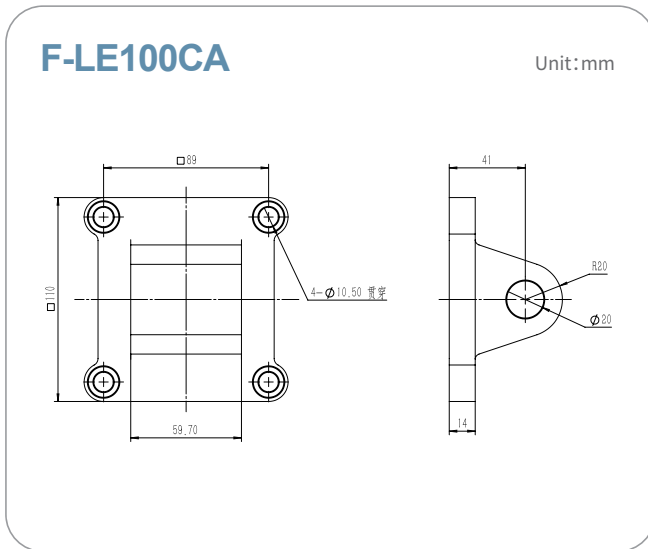


### F-LE80CA

Unit:mm



## Standard accessories - Single earring



LG Series

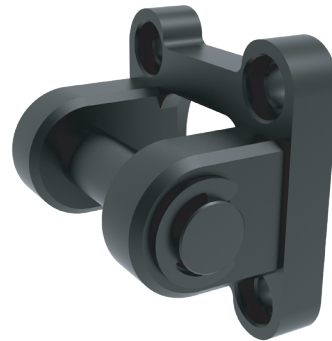
LH Series

LC Series

LE Series

## Standard accessories - Double earrings

compatible LE model	Ordering Number
LE40	F-LE40CB
LE50	F-LE50CB
LE63	F-LE63CB
LE80	F-LE80CB
LE100	F-LE100CB



## Standard accessories - Double earrings

LG

LG Series

LH

LH Series

LC

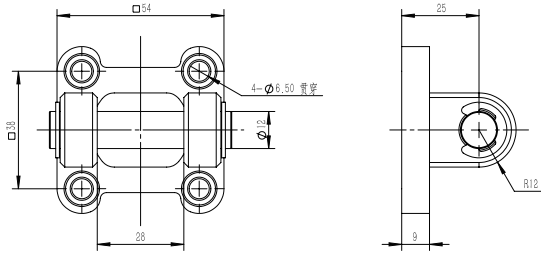
LC Series

LE

LE Series

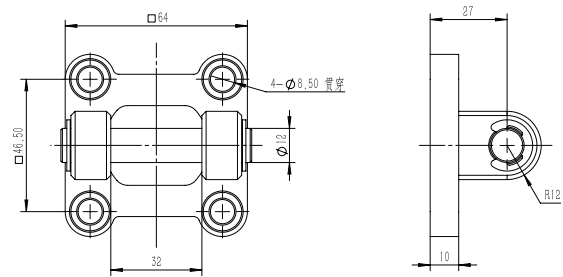
### F-LE40CB

Unit:mm



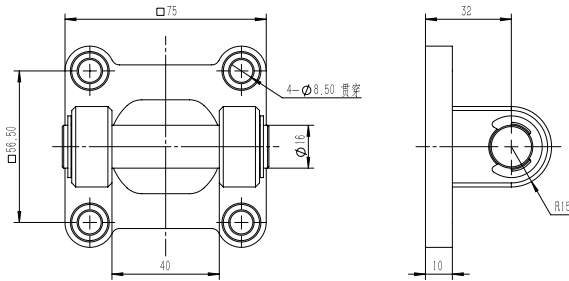
### F-LE50CB

Unit:mm



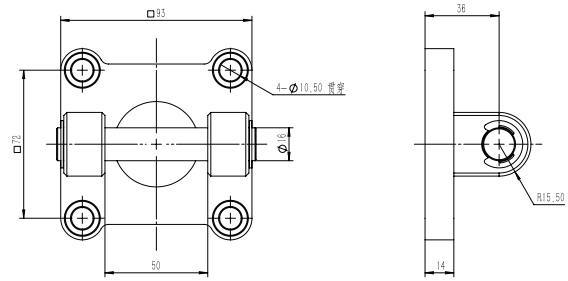
### F-LE63CB

Unit:mm



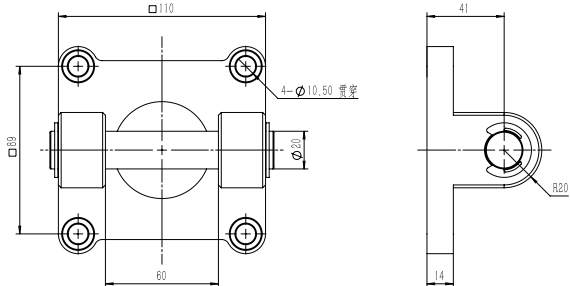
### F-LE80CB

Unit:mm



### F-LE100CB

Unit:mm



## Standard accessories - Guide bracket

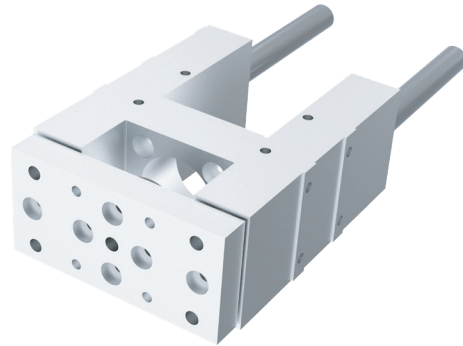
LG Series

LH Series

LC Series

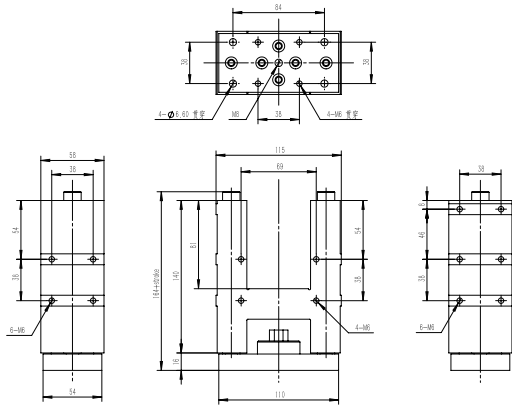
LE Series

compatible LE model	Ordering Number
LE40	F-LE40DX-stroke
LE50	F-LE50DX-stroke
LE63	F-LE63DX-stroke
LE80	F-LE80DX-stroke
LE100	F-LE100DX-stroke



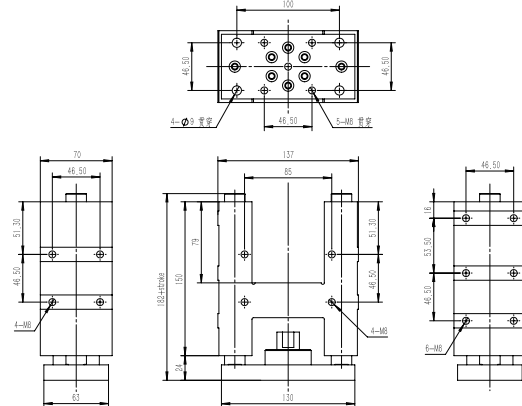
### F-LE40DX- stroke

Unit:mm



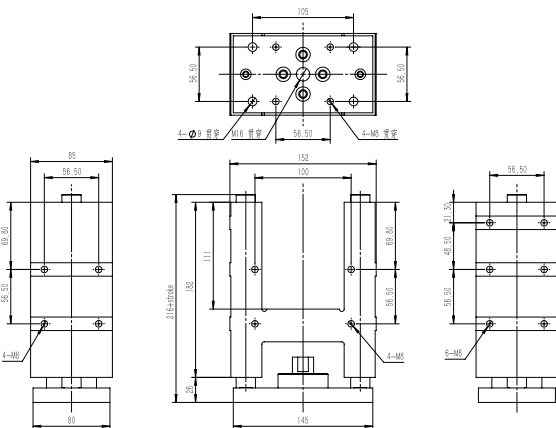
### F-LE50DX- stroke

Unit:mm



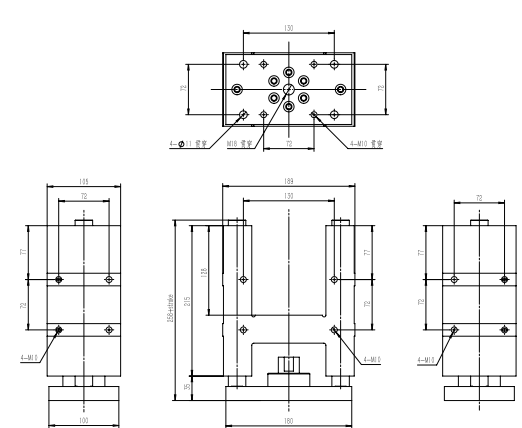
### F-LE63DX- stroke

Unit:mm



### F-LE80DX- stroke

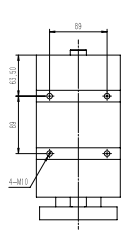
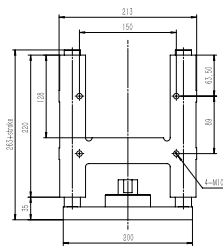
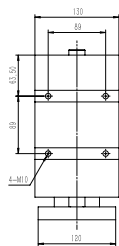
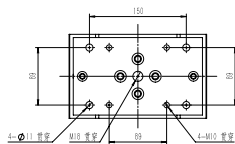
Unit:mm



## Standard accessories - Guide bracket

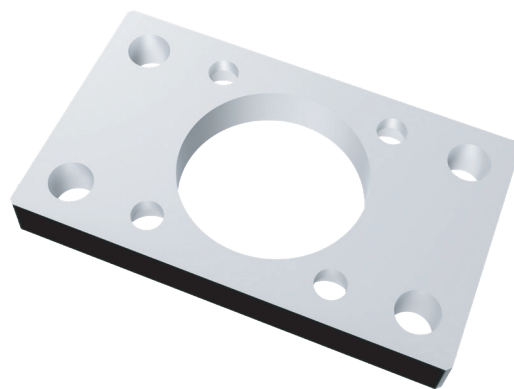
### F-LE100DX- stroke

Unit:mm



## Standard accessories - Front flange

compatible LE model	Ordering Number
LE40	F-LE40FF
LE50	F-LE50FF
LE63	F-LE63FF
LE80	F-LE80FF
LE100	F-LE100FF



# Standard accessories - Front flange

LG Series

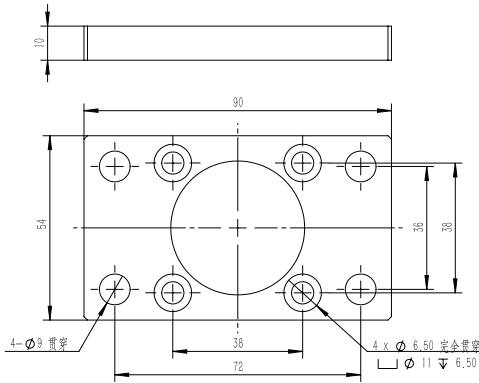
LH Series

LC Series

LE Series

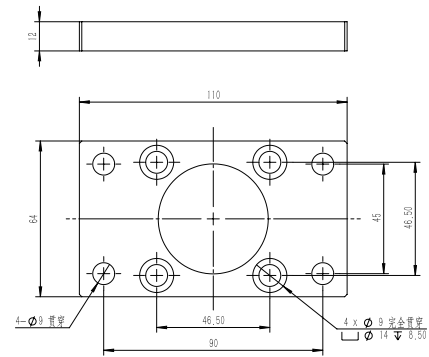
**F-LE40FF**

Unit:mm



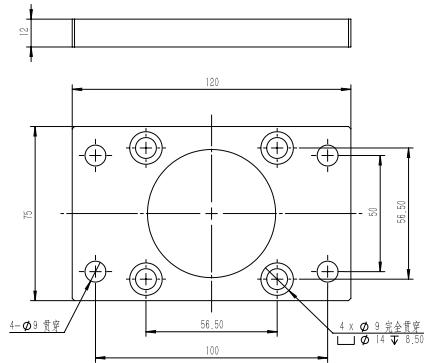
**F-LE50FF**

Unit:mm



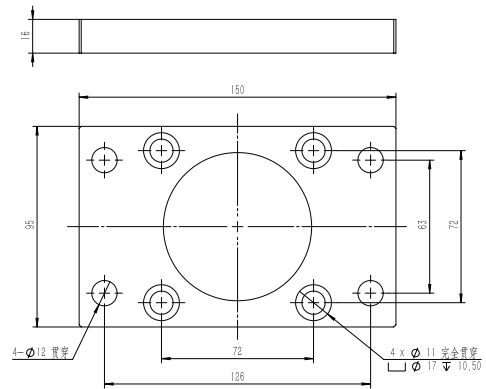
**F-LE63FF**

Unit:mm



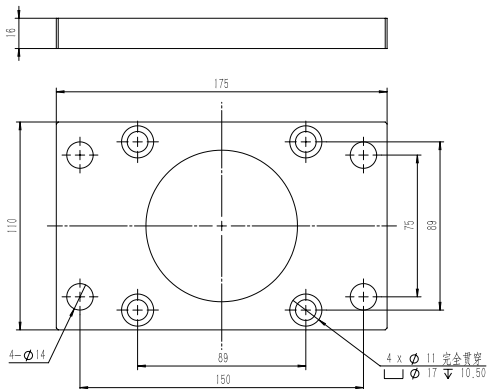
**F-LE80FF**

Unit:mm



**F-LE100FF**

Unit:mm





## Standard accessories - Clamping blocks

LG

LG Series

LH

LH Series

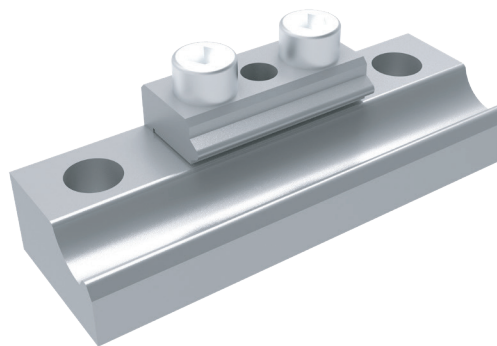
LC

LC Series

LE

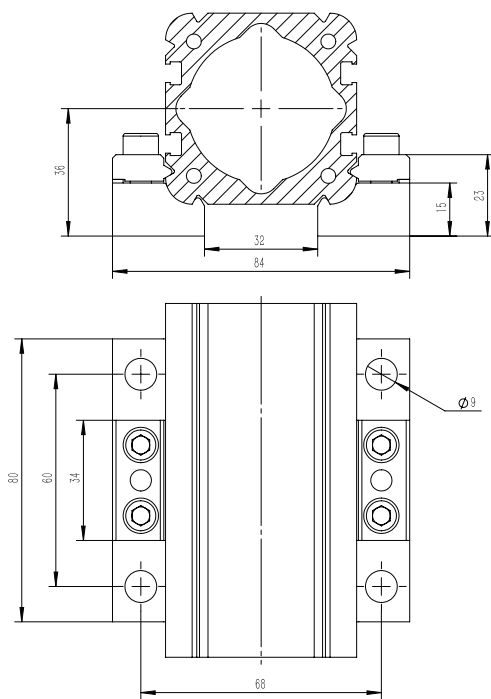
LE Series

compatible LE model	Ordering Number
LE40	F-LE40YK
LE50	F-LE50YK
LE63	F-LE63YK
LE80	F-LE80YK



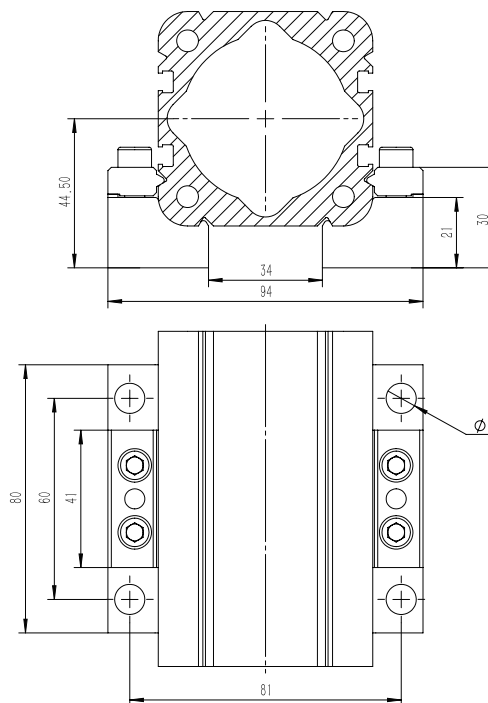
**F-LE40YK**

Unit:mm



**F-LE50YK**

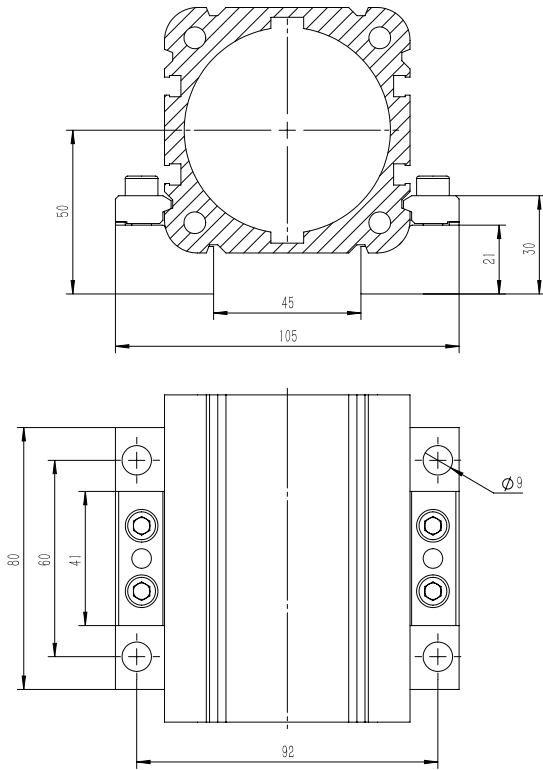
Unit:mm



 Standard accessories - Clamping blocks

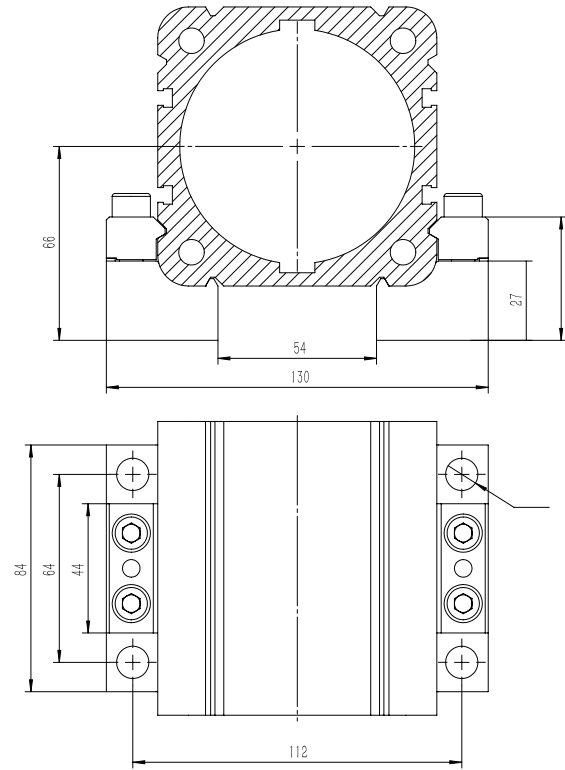
**F-LE63YK**

Unit: mm



**F-LE80YK**

Unit: mm



LG Series

LH Series

LC Series

LE Series